



RS 60-35 L3 SILEO

Item no. 39631

Version: 50 Hz; 400V 3~

Document type: **Product card**

Document date: **2019-06-25**

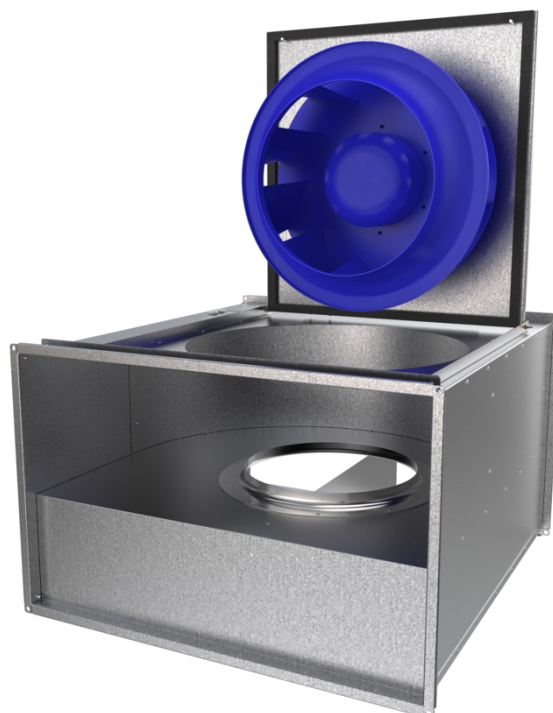
Generated by: **Systemair Online Catalogue**



Description

- Speed-controllable
- Integral thermal contacts
- Can be installed in any position
- Maintenance-free and reliable

The RS models have impellers with backward-curved blades and external rotor motors. The motor and impeller are mounted on the access cover to facilitate easy maintenance. To protect the motor from overheating the RS has integral thermal contacts with external leads for connection to a motor protection device. The fan can be installed in any position and is easy to connect using the DS flexible connections. The casing is manufactured from galvanised sheet steel.



Technical parameters

Nominal data	
Voltage	400 V
Frequency	50 Hz
Phase	3 ~
Input power (P1)	537 W
Current	1,25 A
Max. airflow	1,18 m³/s
R.p.m.	1413 r.p.m.
Weight	32 kg
Temperature data	
Max. temperature of transported air	70 °C
Max. temperature of transported air when speed-controlled	70 °C
Sound data	
Sound pressure level at 3 m	58,7 dB(A)

Name: **RS 60-35 L3 SILEO** | Item no.: **39631** | Version: **50 Hz; 400V 3~**

Document type: **Product card** | Document date: **2019-06-25** | Generated by: **Online catalogue**

Get In Touch

Call: [0845 6880112](tel:08456880112)
 Email: info@adremit.co.uk

Our Address

Puravent, Adremit Limited, Unit 5a, Commercial Yard,
 Settle, North Yorkshire, BD24 9RH

Protection / Classification

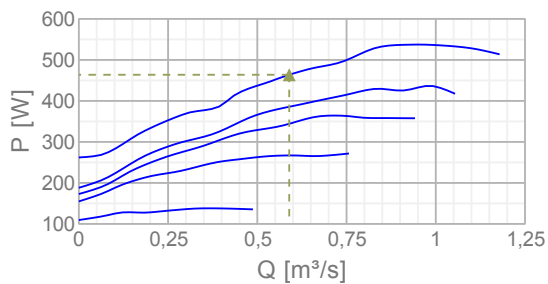
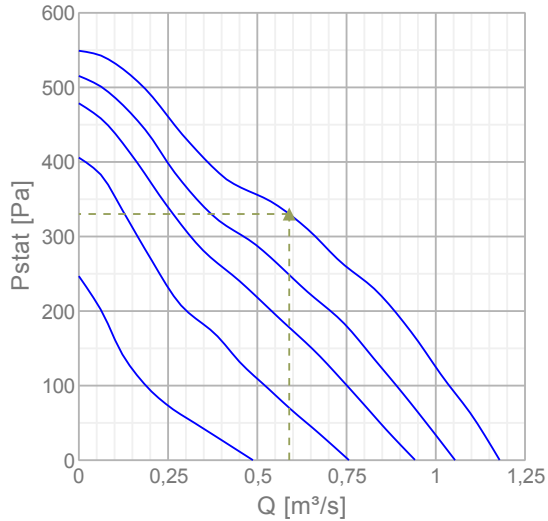
Insulation class	F
Enclosure class, motor	IP54

ErP

ErP ready	ErP 2018
-----------	----------

Diagrams

Diagrams



Max efficiency

Hydraulic data										
▲ Working air flow	0,589 m³/s									
▲ Working static pressure	330 Pa									
▲ Power	464 W									
Speed	1426 r.p.m.									
Current	1,18 A									
SFP	0,787 W/(l/s)									
Voltage	400 V									
Sound power level		63	125	250	500	1k	2k	4k	8k	Tot
Inlet	dB(A)	60	72	67	70	68	67	63	55	77
Outlet	dB(A)	63	72	72	75	74	71	66	57	80
Surrounding	dB(A)	34	64	58	54	55	53	49	39	66

Name: **RS 60-35 L3 SILEO** | Item no.: **39631** | Version: **50 Hz; 400V 3~**

Document type: **Product card** | Document date: **2019-06-25** | Generated by: **Online catalogue**

2 / 5

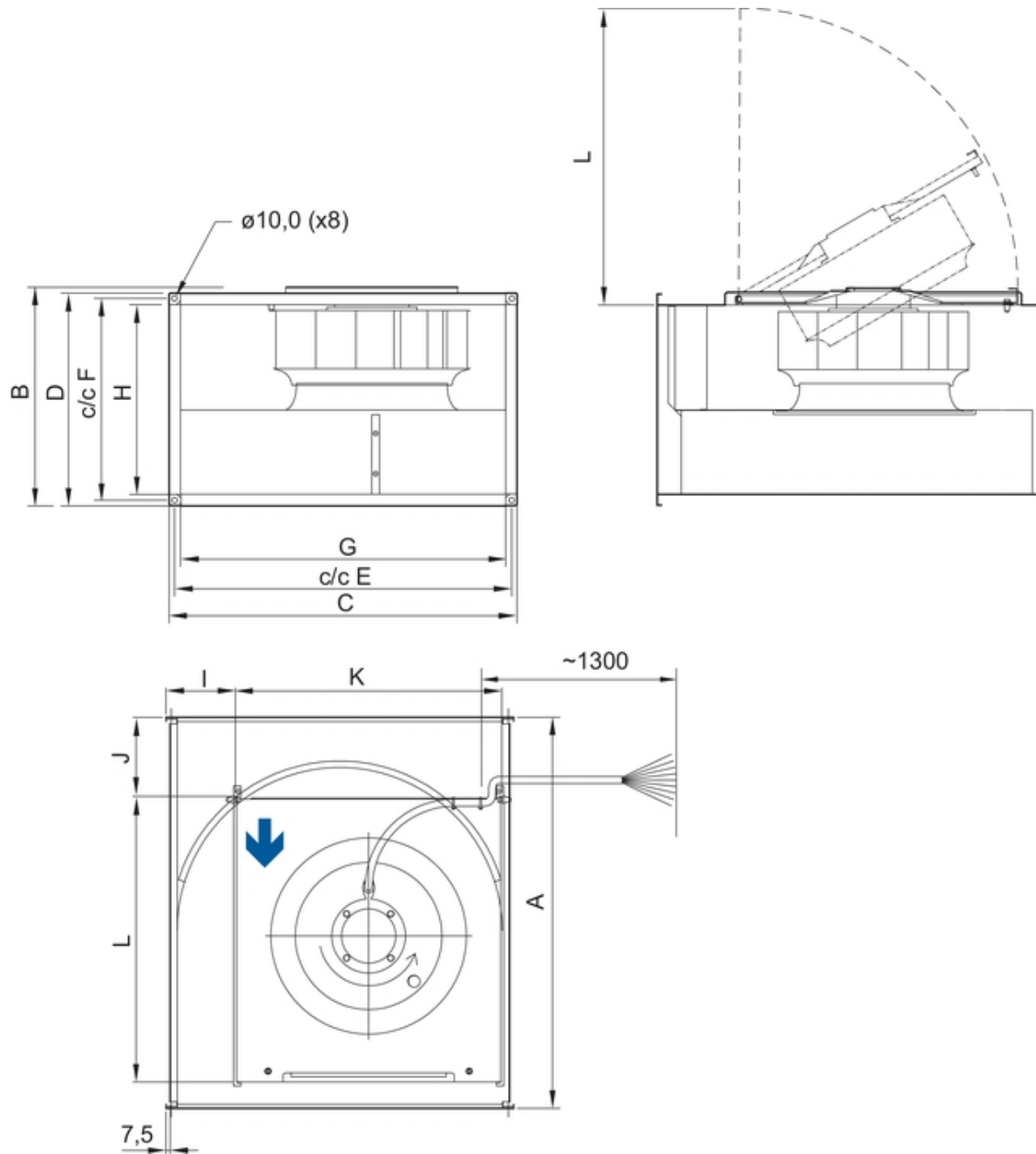
Get In Touch

Call: [0845 6880112](tel:08456880112)
 Email: info@adremit.co.uk

Our Address

Puravent, Adremit Limited, Unit 5a, Commercial Yard,
 Settle, North Yorkshire, BD24 9RH

Dimensions



RS	A	B	C	D	E	F	G	H	I	J	K	L
60-35	717	402	640	390	620	370	598	348	128	145	490	524

Name: **RS 60-35 L3 SILEO** | Item no.: **39631** | Version: **50 Hz; 400V 3~**

Document type: **Product card** | Document date: **2019-06-25** | Generated by: **Online catalogue**

3 / 5

Get In Touch

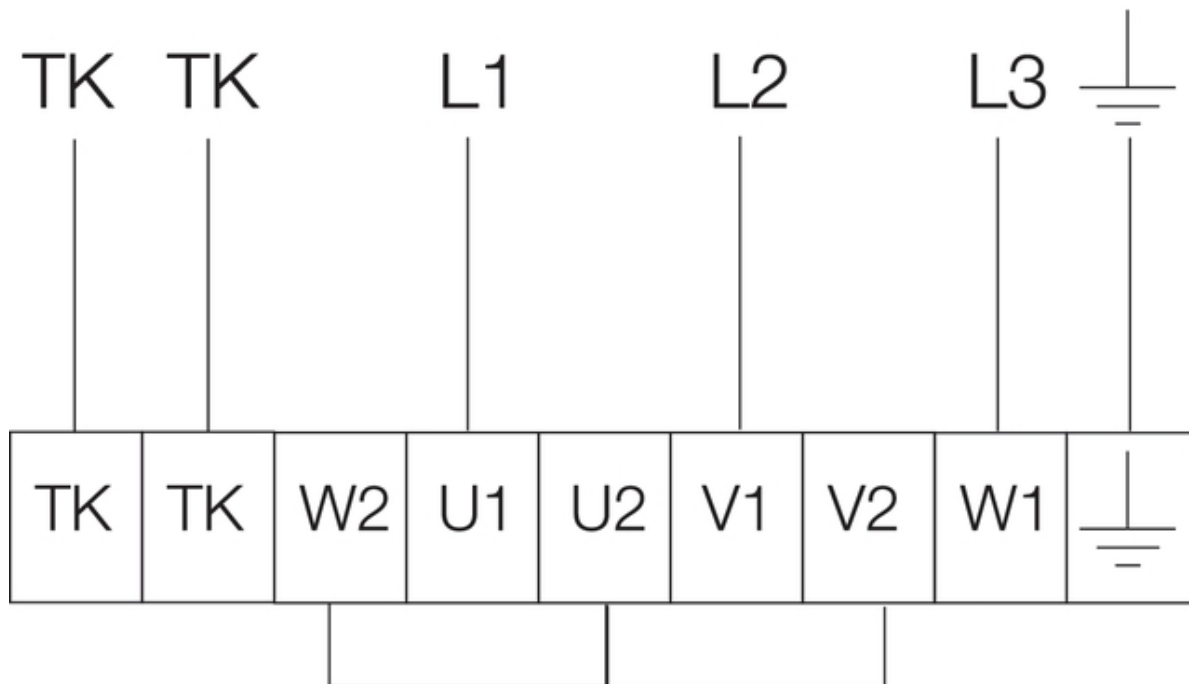
Call: [0845 6880112](tel:08456880112)
 Email: info@adremit.co.uk

Our Address

Puravent, Adremit Limited, Unit 5a, Commercial Yard,
 Settle, North Yorkshire, BD24 9RH

Wiring

400V 3~



Accessories


Electric accessories

[RTRD 2 Speed Cont. Systemair \(5941\)](#)
[RTRDU 2 Speed contr. Systemair \(5945\)](#)
[RT 0-30 Room Thermostat \(5151\)](#)
[STDT 16 Motor Protection \(5152\)](#)
[STDT 16E Motor Protection \(5153\)](#)
[CO2RT-R-D Transmitter \(6993\)](#)
[Presence detector/IR24-P \(6995\)](#)
[DTV200 \(6261\)](#)
[REV-5POL/07 ON/OFF \(33980\)](#)
[DTV500A \(96807\)](#)

Accessories

[RBM 60-35/27 400V/3 Duct heater \(5454\)](#)
[PGK 60-35-3-2,0 Duct cooler \(6612\)](#)
[VBR 60-35-2 Water heating batt \(5467\)](#)
[VBR 60-35-4 Water heating batt \(5475\)](#)
[LDR 60-35 Silencer \(5073\)](#)
[FFK 60-35 Filter cassette rect \(1761\)](#)
[DS 60-35 Flexible connection \(1549\)](#)
[GFL 60-35 Counter flange \(2709\)](#)
[VK-60-35 Louvre shutter \(5650\)](#)
[DXRE 60-35-3-2,5 Duct cooler \(7956\)](#)
[RB 60-35/27-2 400V/3 Duct heat \(9643\)](#)
[RB 60-35/45-3 400V/3 Duct heat \(9644\)](#)
[RKT-SYS-600x350-S \(43633\)](#)
[RK-SYS-600x350-S \(43656\)](#)

Documentation

 [202341_Fans_Instructions_CE_A010.pdf \(1,83MB\)](#)

Name: **RS 60-35 L3 SILEO** | Item no.: **39631** | Version: **50 Hz; 400V 3~**

4 / 5

Document type: **Product card** | Document date: **2019-06-25** | Generated by: **Online catalogue**

Get In Touch

 **Call:** [0845 6880112](tel:08456880112)
 **Email:** info@adremit.co.uk

Our Address

Puravent, Adremit Limited, Unit 5a, Commercial Yard,
Settle, North Yorkshire, BD24 9RH

Specification text

Name: **RS 60-35 L3 SILEO** | Item no.: **39631** | Version: **50 Hz; 400V 3~**

5 / 5

Document type: **Product card** | Document date: **2019-06-25** | Generated by: **Online catalogue**

Get In Touch



Call: [0845 6880112](tel:08456880112)



Email: info@adremit.co.uk

Our Address

Puravent, Adremit Limited, Unit 5a, Commercial Yard,
Settle, North Yorkshire, BD24 9RH