



RS 60-35 L1 SILEO

Item no. 79386

Document type: **Product card**
 Document date: **2019-06-25**
 Generated by: **Systemair Online Catalogue**



Description

- Speed-controllable
- Integral thermal contacts
- Can be installed in any position
- Maintenance-free and reliable

The RS models have impellers with backward-curved blades and external rotor motors. The motor and impeller are mounted on the access cover to facilitate easy maintenance. To protect the motor from overheating the RS has integral thermal contacts with external leads for connection to a motor protection device. The fan can be installed in any position and is easy to connect using the DS flexible connections. The casing is manufactured from galvanised sheet steel.



Technical parameters

Nominal data		
Voltage	230	V
Frequency	50	Hz
Phase	1	~
Input power (P1)	492	W
Current	2,25	A
Max. airflow	1,07	m³/s
R.p.m.	1326	r.p.m.
Capacitor	4	µF
Weight	32	kg
Temperature data		
Max. temperature of transported air	70	°C
Max. temperature of transported air when speed-controlled	70	°C
Sound data		
Sound pressure level at 3 m	58,5	dB(A)

Get In Touch

Call: [0845 6880112](tel:08456880112)
 Email: info@adremit.co.uk

Our Address

Puravent, Adremit Limited, Unit 5a, Commercial Yard,
 Settle, North Yorkshire, BD24 9RH



Protection / Classification

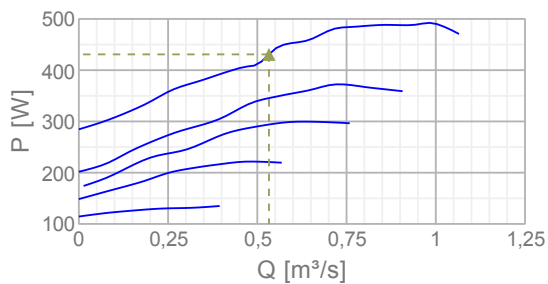
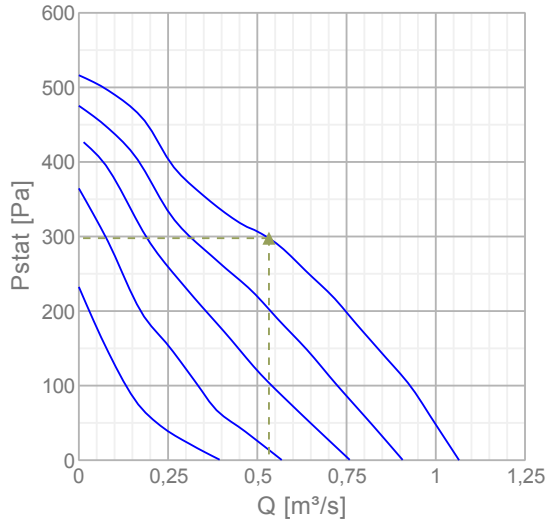
Insulation class	F
Enclosure class, motor	IP54

ErP

ErP ready	ErP 2018
-----------	----------

Diagrams

Diagrams



Max efficiency

Hydraulic data										
▲ Working air flow	0,533 m³/s									
▲ Working static pressure	298 Pa									
▲ Power	431 W									
Speed	1355 r.p.m.									
Current	2 A									
SFP	0,809 W/(l/s)									
Voltage	230 V									
Sound power level		63	125	250	500	1k	2k	4k	8k	Tot
Inlet	dB(A)	60	70	67	69	67	66	61	53	75
Outlet	dB(A)	59	72	73	74	74	72	67	57	80
Surrounding	dB(A)	41	63	60	53	52	48	41	34	66

Name: **RS 60-35 L1 SILEO** | Item no.: **79386**

2 / 5

Document type: **Product card** | Document date: **2019-06-25** | Generated by: **Online catalogue**

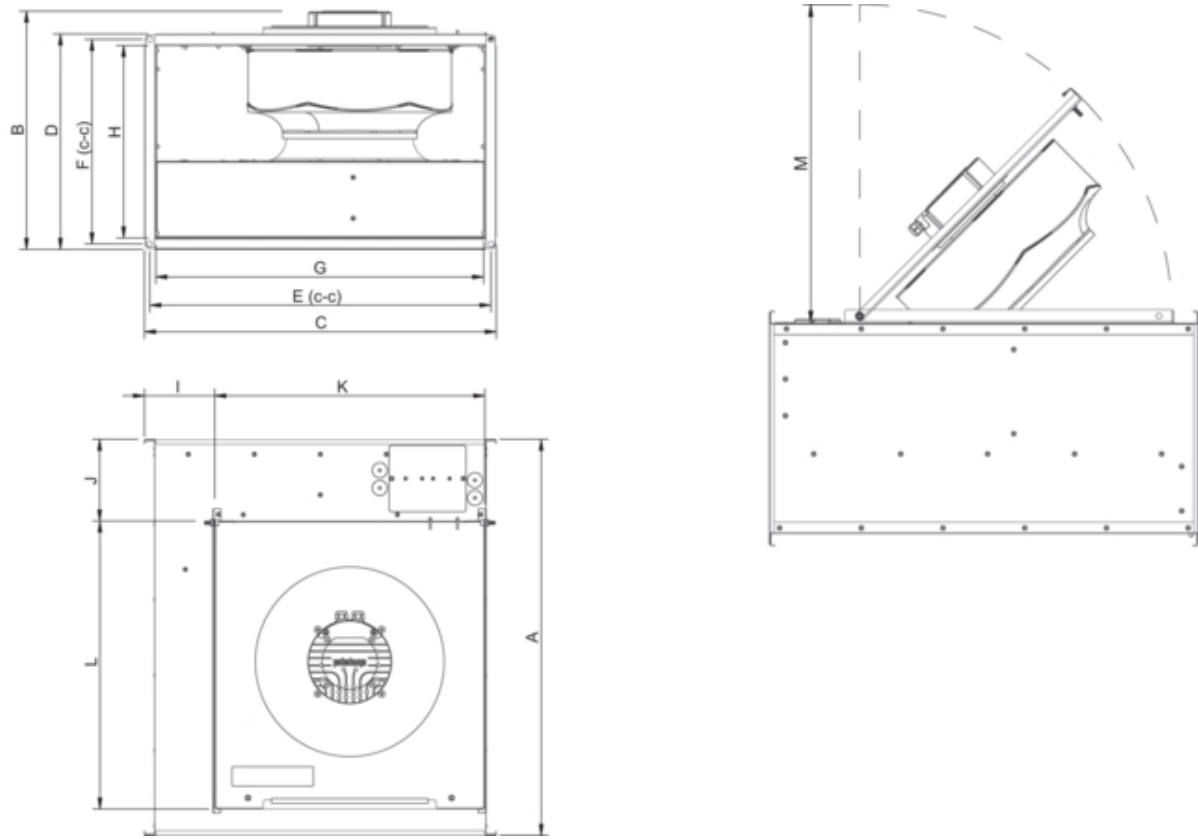
Get In Touch

 **Call:** [0845 6880112](tel:08456880112)
 **Email:** info@adremit.co.uk

Our Address

Puravent, Adremit Limited, Unit 5a, Commercial Yard, Settle, North Yorkshire, BD24 9RH

Dimensions





	A	B	C	D	E	F	G	H	I	J	K	L	M
RS 60-35	717	431	640	390	620	370	598	348	109	147	491	521	530

Name: **RS 60-35 L1 SILEO** | Item no.: **79386**

Document type: **Product card** | Document date: **2019-06-25** | Generated by: **Online catalogue**

Get In Touch

 **Call:** [0845 6880112](tel:08456880112)
 **Email:** info@adremit.co.uk

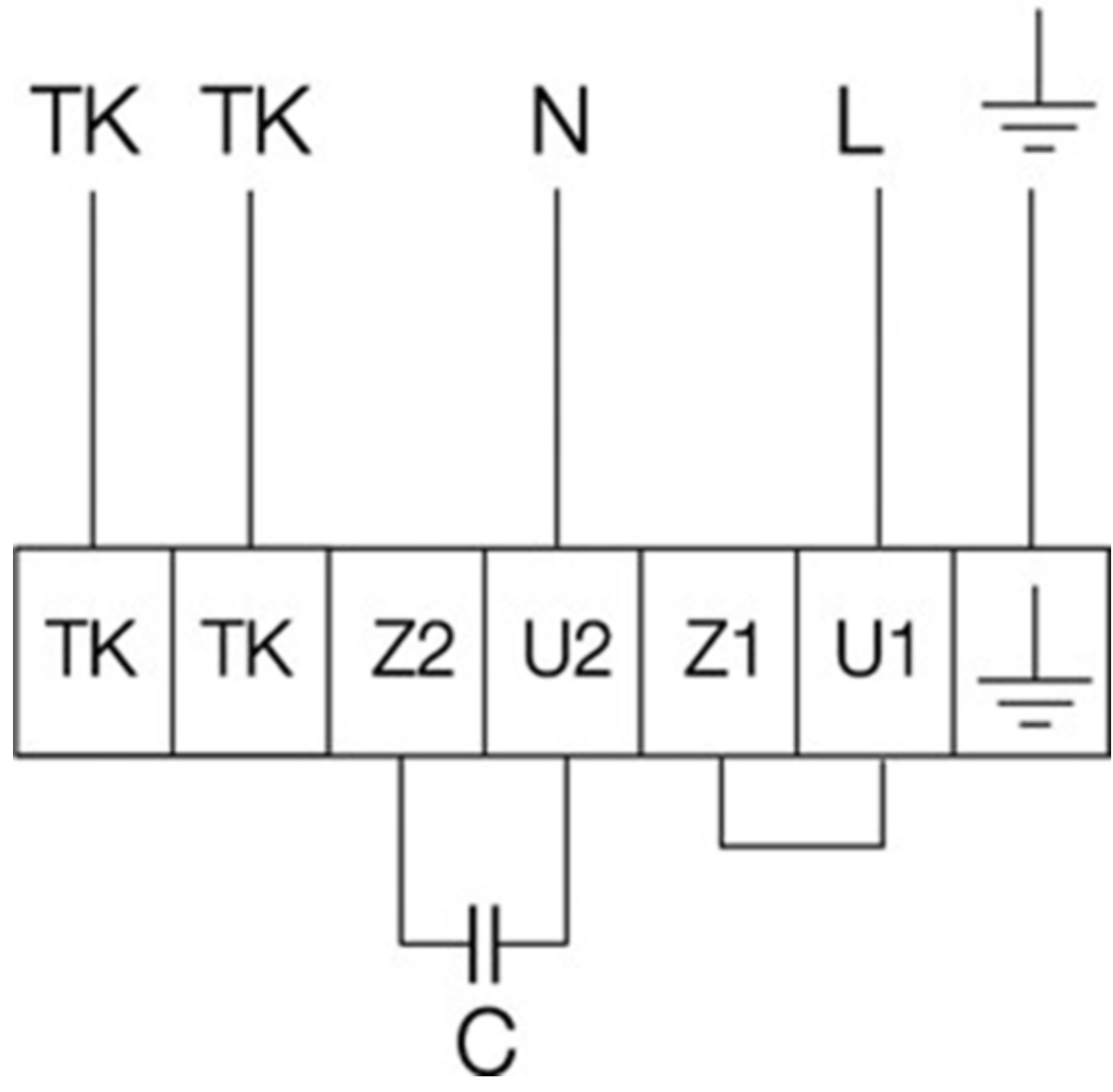
Our Address

Puravent, Adremit Limited, Unit 5a, Commercial Yard,
Settle, North Yorkshire, BD24 9RH



Wiring

230V 1~



Get In Touch

Call: [0845 6880112](tel:08456880112)
 Email: info@adremit.co.uk

Our Address

Puravent, Adremit Limited, Unit 5a, Commercial Yard,
Settle, North Yorkshire, BD24 9RH



Accessories

Electric accessories

[REU 3 Speed control \(5005\)](#)
[RTRE 3 Speed control \(5009\)](#)
[REE 4 Speed control \(5317\)](#)
[REPT 6 Digital regulator \(5698\)](#)
[RT 0-30 Room Thermostat \(5151\)](#)
[S-ET 10 Motor Protection \(5154\)](#)
[S-ET 10E Motor Protection \(5155\)](#)
[CO2RT-R-D Transmitter \(6993\)](#)
[Presence detector/IR24-P \(6995\)](#)
[RETP 6 Temp/Pressure regulator \(32293\)](#)
[DTV200 \(6261\)](#)
[STL 5 Speed controller \(84271\)](#)
[REV-5POL/05 ON/OFF \(33979\)](#)
[FRQS-E-6A \(37419\)](#)
[FRQ5S-E-6A \(37421\)](#)
[DTV500A \(96807\)](#)

Accessories

[RBM 60-35/27 400V/3 Duct heater \(5454\)](#)
[PGK 60-35-3-2,0 Duct cooler \(6612\)](#)
[VBR 60-35-2 Water heating batt \(5467\)](#)
[VBR 60-35-4 Water heating batt \(5475\)](#)
[LDR 60-35 Silencer \(5073\)](#)
[FFK 60-35 Filter cassette rect \(1761\)](#)
[DS 60-35 Flexible connection \(1549\)](#)
[GFL 60-35 Counter flange \(2709\)](#)
[VK-60-35 Louvre shutter \(5650\)](#)
[DXRE 60-35-3-2,5 Duct cooler \(7956\)](#)
[RB 60-35/27-2 400V/3 Duct heat \(9643\)](#)
[RB 60-35/45-3 400V/3 Duct heat \(9644\)](#)
[RKT-SYS-600x350-S \(43633\)](#)
[RK-SYS-600x350-S \(43656\)](#)

Documentation



202341_Fans_Instructions_CE_A010.pdf (1,83MB)

Get In Touch

 **Call:** [0845 6880112](tel:08456880112)
 **Email:** info@adremit.co.uk

Our Address

Puravent, Adremit Limited, Unit 5a, Commercial Yard,
Settle, North Yorkshire, BD24 9RH