



RS 40-20 M SILEO

Item no. 77285

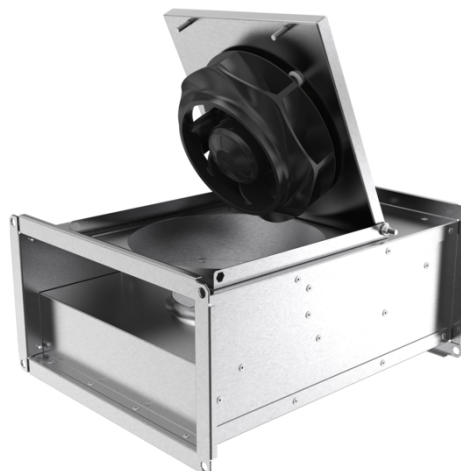
Version: 50 Hz



Description

- Speed-controllable
- Integral thermal contacts
- Can be installed in any position
- Maintenance-free and reliable

The RS models have impellers with backward-curved blades and external rotor motors. The motor and impeller are mounted on the access cover to facilitate easy maintenance. To protect the motor from overheating the fan has an integral thermal contact with electrical reset. The fans can be installed in any position and are easy to connect using the DS flexible connections. The casing is manufactured from galvanised sheet steel.



Technical parameters

Nominal data		
Voltage	230	V
Frequency	50	Hz
Phase	1	~
Input power (P1)	107	W
Current	0,467	A
Max. airflow	0,257	m³/s
R.p.m.	2468	r.p.m.
Capacitor	2,5	µF
Weight	10,7	kg
Temperature data		
Max. temperature of transported air	70	°C
Max. temperature of transported air when speed-controlled	70	°C
Sound data		
Sound pressure level at 3 m	47,2	dB(A)
Protection / Classification		
Insulation class		B
Enclosure class, motor		IP54

Get In Touch

Call: [0845 6880112](tel:08456880112)
 Email: info@adremit.co.uk

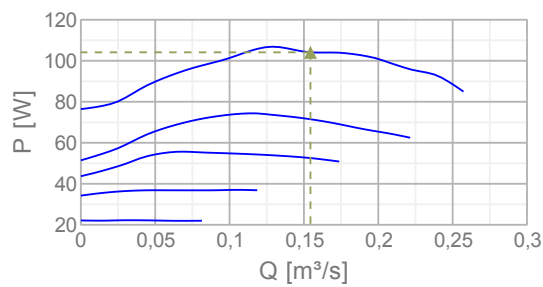
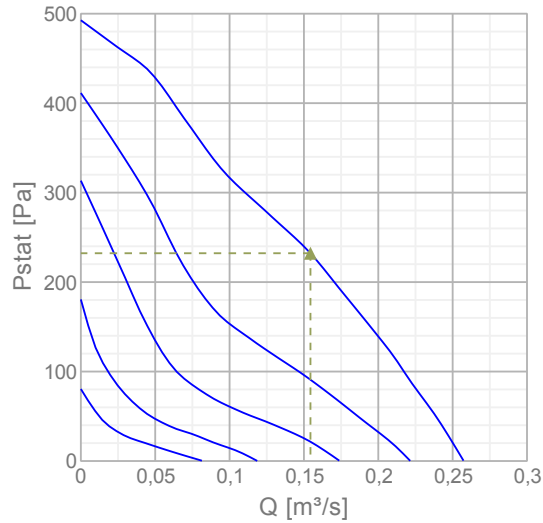
Our Address

Puravent, Adremit Limited, Unit 5a, Commercial Yard,
 Settle, North Yorkshire, BD24 9RH



Diagrams

Diagrams



Max efficiency

Hydraulic data										
▲ Working air flow										0,154 m³/s
▲ Working static pressure										232 Pa
▲ Power										104 W
Speed										2458 r.p.m.
Current										0,465 A
SFP										0,674 W/(l/s)
Voltage										230 V
Sound power level		63	125	250	500	1k	2k	4k	8k	Tot
Inlet	dB(A)	44	54	65	57	61	60	55	49	69
Outlet	dB(A)	42	53	67	64	63	66	60	57	72
Surrounding	dB(A)	20	34	53	43	43	43	38	35	54

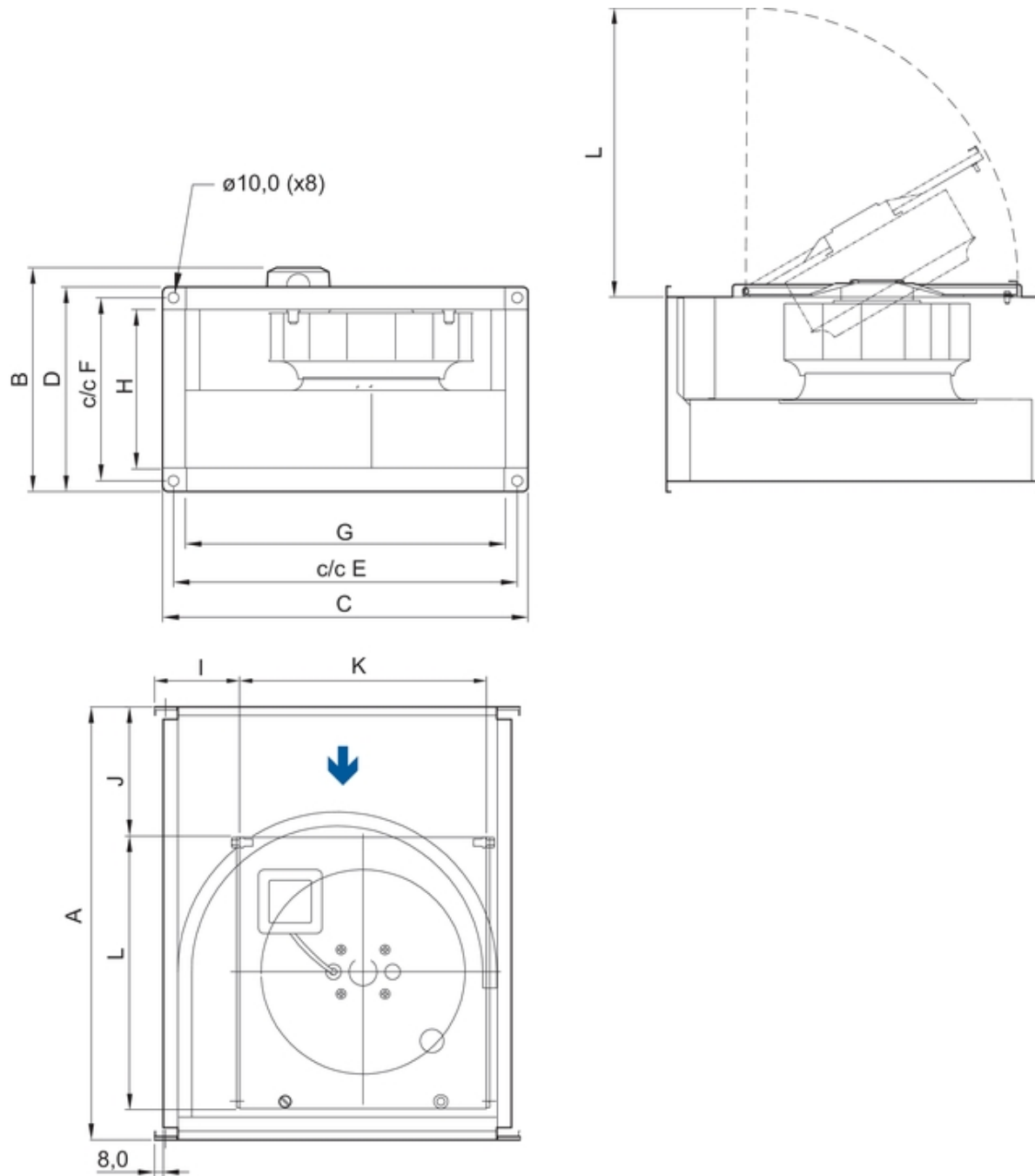
Get In Touch

Call: [0845 6880112](tel:08456880112)Email: info@adremit.co.uk

Our Address

Puravent, Adremit Limited, Unit 5a, Commercial Yard, Settle, North Yorkshire, BD24 9RH

Dimensions



RS	A	B	C	D	E	F	G	H	I	J	K	L
40-20 M	502	267	440	240	420	220	398	198	99	125	310	352

Name: **RS 40-20 M SILEO** | Item no.: **77285** | Version: **50 Hz**

Document type: **Product card** | Document date: **2019-06-25** | Generated by: **Online catalogue**

3 / 5

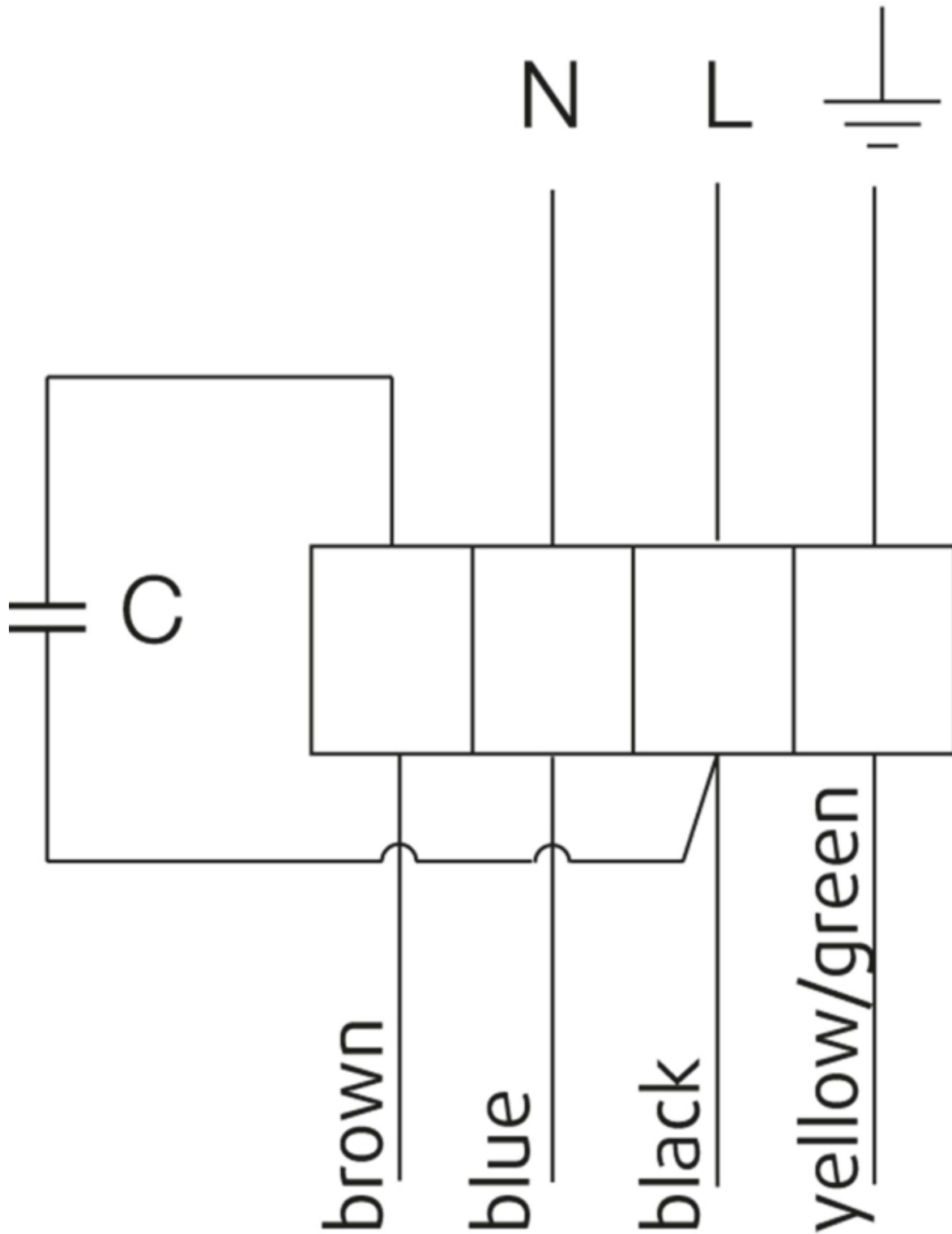
Get In Touch

Call: [0845 6880112](tel:08456880112)
 Email: info@adremit.co.uk

Our Address

Puravent, Adremit Limited, Unit 5a, Commercial Yard,
 Settle, North Yorkshire, BD24 9RH

230V 1~



U1 = blue = blau
U2 = black = schwarz
Z = brown = braun
PE = yellow/green = grün-gelb

Get In Touch

Call: [0845 6880112](tel:08456880112)
Email: info@adremit.co.uk

Our Address

Puravent, Adremit Limited, Unit 5a, Commercial Yard,
Settle, North Yorkshire, BD24 9RH

Accessories

Electric accessories

[RE 1.5 Speed control \(5000\)](#)
[REU 1.5 Speed control \(5004\)](#)
[REE 1 Speed control \(5314\)](#)
[REPT 6 Digital regulator \(5698\)](#)
[RT 0-30 Room Thermostat \(5151\)](#)
[CO2RT-R-D Transmitter \(6993\)](#)
[Presence detector/IR24-P \(6995\)](#)
[RETP 6 Temp/Pressure regulator \(32293\)](#)
[DTV200 \(6261\)](#)
[STL 1.5 Speed controller \(84251\)](#)
[REV-3POL/03 ON/OFF \(33978\)](#)
[FRQS-E-6A \(37419\)](#)
[FRQ5S-E-6A \(37421\)](#)
[DTV500A \(96807\)](#)

Accessories

[RBM 40-20/9 400V/3 Duct heater \(5450\)](#)
[PGK 40-20-3-2,0 Duct cooler \(6604\)](#)
[VBR 40-20-2 Water heating batt \(5463\)](#)
[VBR 40-20-4 Water heating batt \(5471\)](#)
[LDR 40-20 Silencer \(5069\)](#)
[FFK 40-20 Filter cassette rect \(1750\)](#)
[DS 40-20 Flexible connection \(1539\)](#)
[GFL 40-20 Counter flange \(2705\)](#)
[WSG 40-20 weather prot. guard \(30589\)](#)
[SRK 40-20 Class 3 Damper \(7020\)](#)
[DXRE 40-20-3-2,5 Duct cooler \(7951\)](#)
[RB 40-20/15-1 400V/3 Duct heat \(9628\)](#)
[RB 40-20/9-1 400V/3 Duct heat. \(9627\)](#)
[RKT-SYS-400x200-S \(43629\)](#)
[RK-SYS-400x200-R \(43643\)](#)
[RK-SYS-400x200-S \(43652\)](#)

Documentation



[202341_Fans_Instructions_CE_A010.pdf \(1,83MB\)](#)



[Certificate S-mark RS 1211225.pdf \(789,65kB\)](#)

Specification text

Rectangular duct fan for easy and direct installation in ducts. Galvanized sheet steel housing. Service cover. The fan unit is mounted on the service cover for easy cleaning and maintenance. Free-running, backward curved circular impeller made of plastic PA6. Impeller acc. to VDI 2060, balancing quality G 6.3, dynamically balanced in two planes. Voltage controllable external rotor motor (IP44), maintenance-free, the motor is placed inside the air flow for cooling. Integral thermal contact with automatic reset acc. to EN 60335-2-80. Speed-controlled by voltage reduction via transformer or thyristor. Terminal box on the casing. For extract and supply air. Installation in any mounting position. For indoor installation.

Get In Touch



Call: [0845 6880112](tel:08456880112)



Email: info@adremit.co.uk

Our Address

Puravent, Adremit Limited, Unit 5a, Commercial Yard,
Settle, North Yorkshire, BD24 9RH