



RS 30-15 SILEO

Item no. 77284

Version: 50 Hz

Document type: **Product card**

Document date: **2019-06-25**

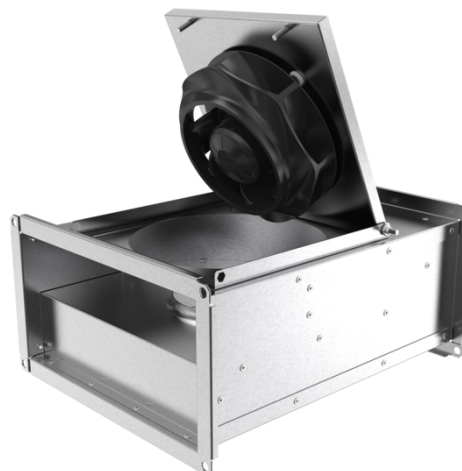
Generated by: **Systemair Online Catalogue**



Description

- Speed-controllable
- Integral thermal contacts
- Can be installed in any position
- Maintenance-free and reliable

The RS models have impellers with backward-curved blades and external rotor motors. The motor and impeller are mounted on the access cover to facilitate easy maintenance. To protect the motor from overheating the fan has an integral thermal contact with electrical reset. The fans can be installed in any position and are easy to connect using the DS flexible connections. The casing is manufactured from galvanised sheet steel.



Technical parameters

| Nominal data | | |
|---|-------|-------------------|
| Voltage | 230 | V |
| Frequency | 50 | Hz |
| Phase | 1 | ~ |
| Input power (P1) | 51,4 | W |
| Current | 0,224 | A |
| Max. airflow | 0,129 | m ³ /s |
| R.p.m. | 2328 | r.p.m. |
| Weight | 6,2 | kg |
| Temperature data | | |
| Max. temperature of transported air | 70 | °C |
| Max. temperature of transported air when speed-controlled | 70 | °C |
| Sound data | | |
| Sound pressure level at 3 m | 40,2 | dB(A) |
| Protection / Classification | | |
| Insulation class | B | |
| Enclosure class, motor | IP44 | |

Get In Touch

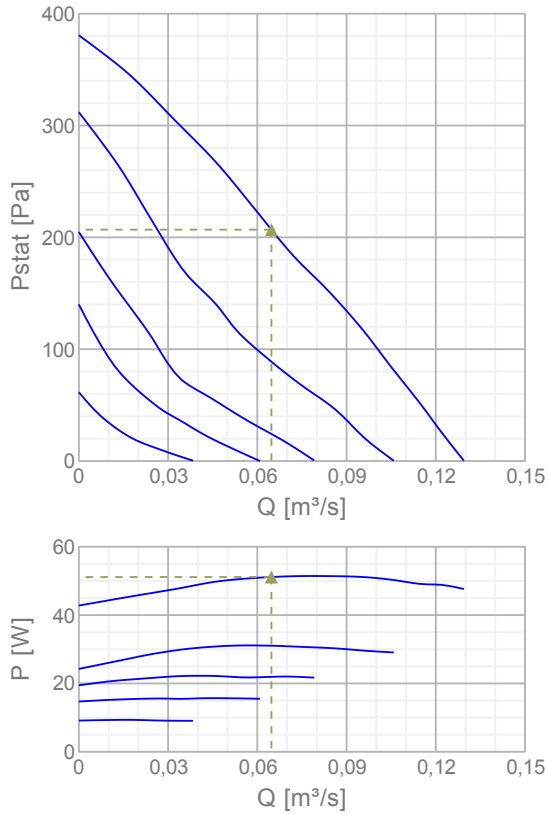
Call: [0845 6880112](tel:08456880112)
 Email: info@adremit.co.uk

Our Address

Puravent, Adremit Limited, Unit 5a, Commercial Yard,
 Settle, North Yorkshire, BD24 9RH

Diagrams

Diagrams



Max efficiency

| Hydraulic data | | | | | | | | | | | |
|---------------------------|-------|--|----|-----|-----|-----|----|----|----|--------------|-----|
| ▲ Working air flow | | | | | | | | | | 0,0647 m³/s | |
| ▲ Working static pressure | | | | | | | | | | 207 Pa | |
| ▲ Power | | | | | | | | | | 51,1 W | |
| Speed | | | | | | | | | | 2332 r.p.m. | |
| Current | | | | | | | | | | 0,223 A | |
| SFP | | | | | | | | | | 0,79 W/(l/s) | |
| Voltage | | | | | | | | | | 230 V | |
| Sound power level | | | 63 | 125 | 250 | 500 | 1k | 2k | 4k | 8k | Tot |
| Inlet | dB(A) | | 42 | 50 | 61 | 54 | 55 | 57 | 51 | 47 | 64 |
| Outlet | dB(A) | | 36 | 50 | 62 | 58 | 59 | 61 | 55 | 53 | 67 |
| Surrounding | dB(A) | | 12 | 35 | 43 | 38 | 41 | 39 | 34 | 33 | 47 |

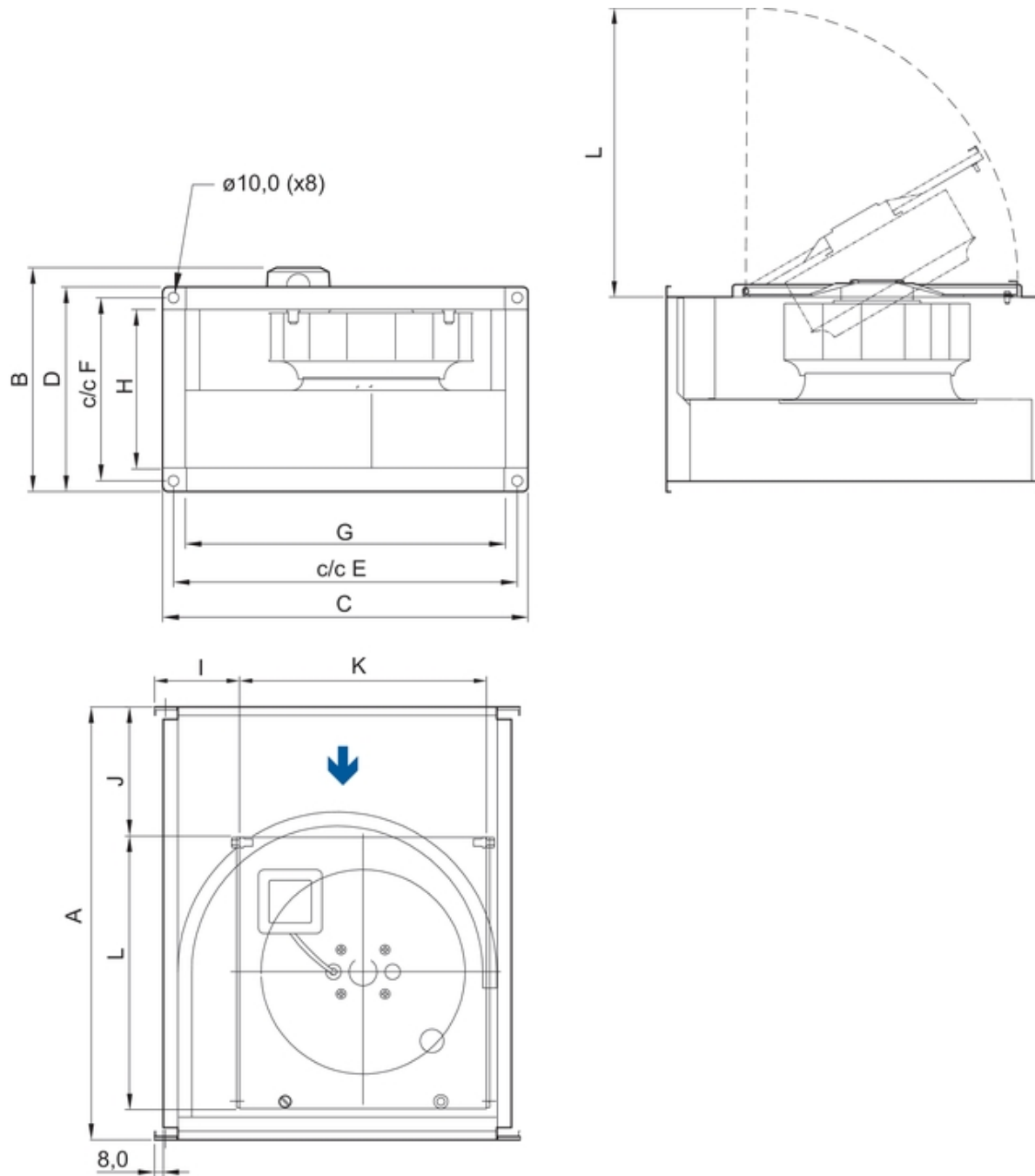
Get In Touch

Call: [0845 6880112](tel:08456880112)Email: info@adremit.co.uk

Our Address

Puravent, Adremit Limited, Unit 5a, Commercial Yard, Settle, North Yorkshire, BD24 9RH

Dimensions



| RS | A | B | C | D | E | F | G | H | I | J | K | L |
|-------|-----|-----|-----|-----|-----|-----|-----|-----|----|-----|-----|-----|
| 30-15 | 402 | 217 | 340 | 190 | 320 | 170 | 298 | 148 | 79 | 120 | 230 | 254 |

Name: **RS 30-15 SILEO** | Item no.: **77284** | Version: **50 Hz**

Document type: **Product card** | Document date: **2019-06-25** | Generated by: **Online catalogue**

3 / 5

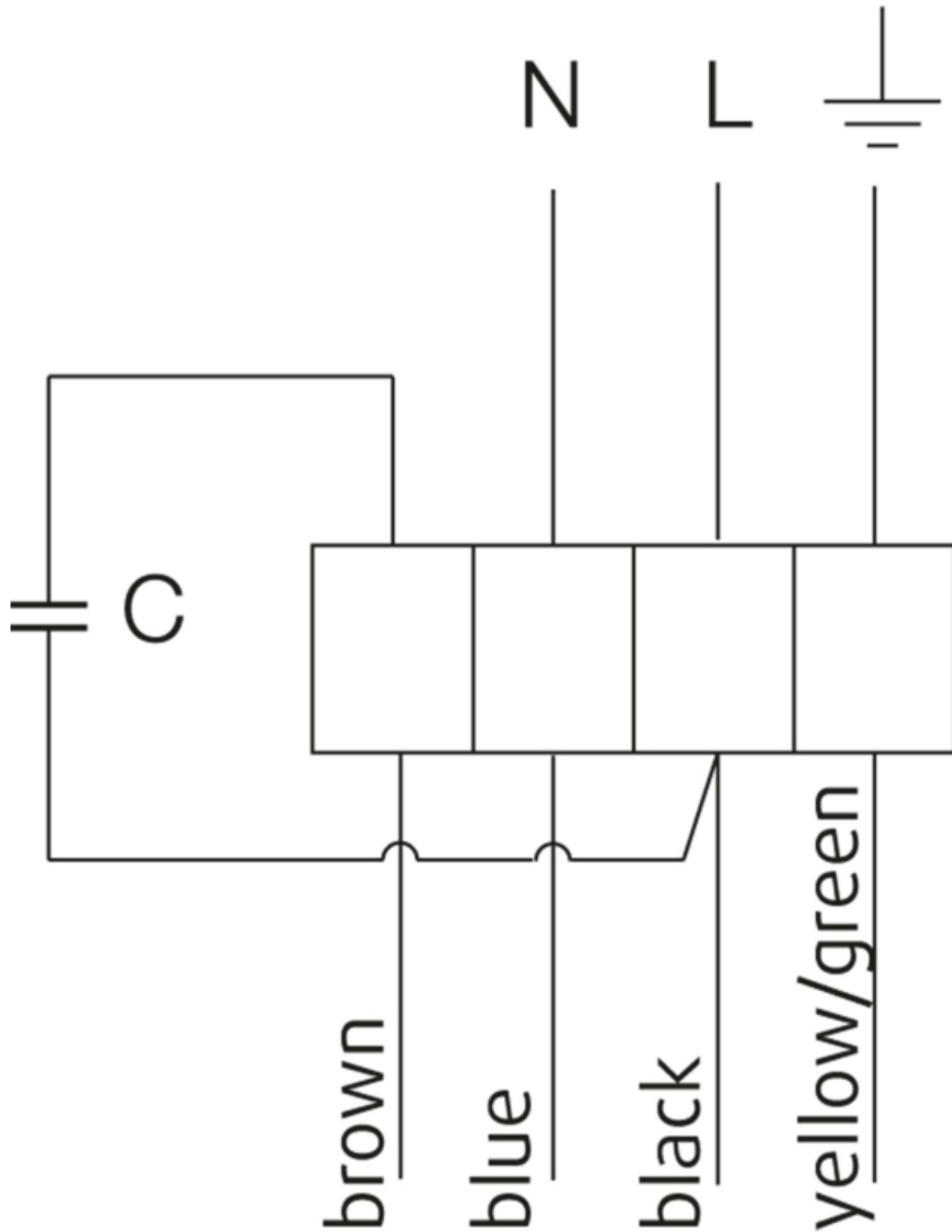
Get In Touch

Call: [0845 6880112](tel:08456880112)
 Email: info@adremit.co.uk

Our Address

Puravent, Adremit Limited, Unit 5a, Commercial Yard,
 Settle, North Yorkshire, BD24 9RH

230V 1~



U1 = blue = blau
U2 = black = schwarz
Z = brown = braun
PE = yellow/green = grün-gelb

Get In Touch

 **Call:** [0845 6880112](tel:08456880112)
 **Email:** info@adremit.co.uk

Our Address

Puravent, Adremit Limited, Unit 5a, Commercial Yard,
Settle, North Yorkshire, BD24 9RH

Accessories


Electric accessories


[RE 1.5 Speed control \(5000\)](#)
[REU 1.5 Speed control \(5004\)](#)
[REE 1 Speed control \(5314\)](#)
[REPT 6 Digital regulator \(5698\)](#)
[RT 0-30 Room Thermostat \(5151\)](#)
[CO2RT-R-D Transmitter \(6993\)](#)
[Presence detector/IR24-P \(6995\)](#)
[RETP 6 Temp/Pressure regulator \(32293\)](#)
[DTV200 \(6261\)](#)
[STL 1.5 Speed controller \(84251\)](#)
[REV-3POL/03 ON/OFF \(33978\)](#)
[FRQS-E-6A \(37419\)](#)
[FRQ5S-E-6A \(37421\)](#)
[DTV500A \(96807\)](#)

Accessories

[LDR 30-15 Silencer \(5068\)](#)
[FFK 30-15 Filter cassette rect \(1748\)](#)
[DS 30-15 Flexible connection \(1537\)](#)
[RKT-SYS-300x150-S \(43628\)](#)
[RK-SYS-300x150-R \(43642\)](#)

Documentation



 [202341_Fans_Instructions_CE_A010.pdf \(1,83MB\)](#)

 [Certificate S-mark RS 1211225.pdf \(789,65kB\)](#)

Specification text

Rectangular duct fan for easy and direct installation in ducts. Galvanized sheet steel housing. Service cover. The fan unit is mounted on the service cover for easy cleaning and maintenance. Free-running, backward curved circular impeller made of plastic PA6. Impeller acc. to VDI 2060, balancing quality G 6.3, dynamically balanced in two planes. Voltage controllable external rotor motor (IP44), maintenance-free, the motor is placed inside the air flow for cooling. Integral thermal contact with automatic reset acc. to EN 60335-2-80. Speed-controlled by voltage reduction via transformer or thyristor. Terminal box on the casing. For extract and supply air. Installation in any mounting position. For indoor installation.

Get In Touch

 **Call:** [0845 6880112](tel:08456880112)
 **Email:** info@adremit.co.uk

Our Address

Puravent, Adremit Limited, Unit 5a, Commercial Yard,
Settle, North Yorkshire, BD24 9RH