



RSI 80-50 M3 SILEO

Item no. 39639

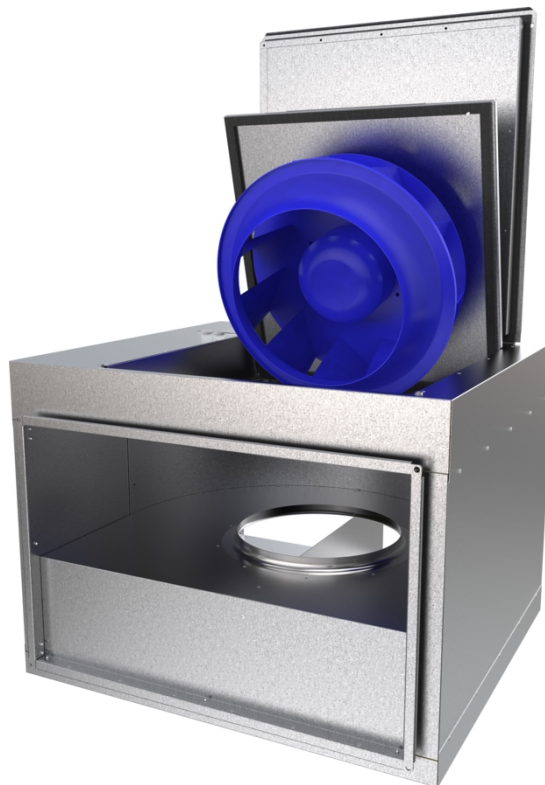
Version: 50 Hz; 400V 3~



Description

- Speed-controllable
- Integral thermal contacts
- Can be installed in any position
- Maintenance-free and reliable

The RSI models have impellers with backward-curved blades and external rotor motors. The motor and impeller are mounted on the access cover to facilitate easy maintenance. The RSI models are thermally and acoustically insulated with 50 mm of mineral wool, with perforated sheet steel on the inner surface. To protect the motor from overheating the RSI fans have integral thermal contacts with external leads for connection to a motor protection device. The fans can be installed in any position and are easy to connect using the DS flexible connections. The casing is manufactured from galvanised sheet steel.



Technical parameters

Nominal data		
Voltage	400	V
Frequency	50	Hz
Phase	3	~
Input power (P1)	886	W
Current	1,82	A
Max. airflow	1,96	m³/s
R.p.m.	1399	r.p.m.
Weight	104	kg
Temperature data		
Max. temperature of transported air	70	°C
Max. temperature of transported air when speed-controlled	70	°C

Get In Touch

Call: [0845 6880112](tel:08456880112)
 Email: info@adremit.co.uk

Our Address

Puravent, Adremit Limited, Unit 5a, Commercial Yard,
 Settle, North Yorkshire, BD24 9RH



Sound data

Sound pressure level at 3 m 53,1 dB(A)

Protection / Classification

Insulation class F

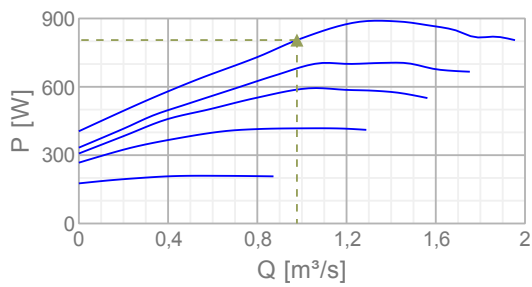
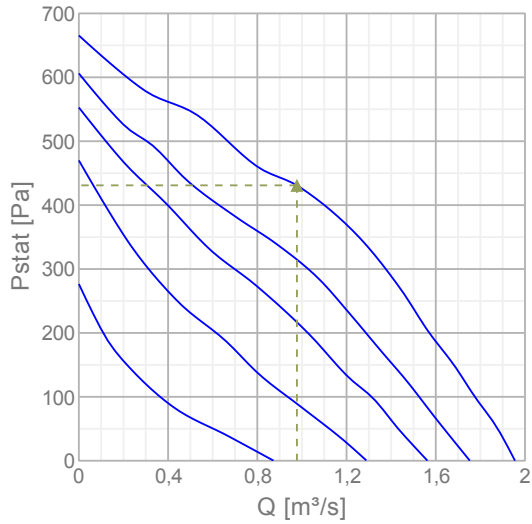
Enclosure class, motor IP54

ErP

ErP ready ErP 2018

Diagrams

Diagrams



Max efficiency

Hydraulic data										
▲ Working air flow		0,978 m³/s								
▲ Working static pressure		431 Pa								
▲ Power		805 W								
Speed		1412 r.p.m.								
Current		1,73 A								
SFP		0,824 W/(l/s)								
Voltage		400 V								
Sound power level		63	125	250	500	1k	2k	4k	8k	Tot
Inlet	dB(A)	56	71	63	65	63	61	57	51	73
Outlet	dB(A)	61	77	73	74	75	71	66	58	82
Surrounding	dB(A)	40	58	53	50	49	42	39	38	60

Name: **RSI 80-50 M3 SILEO** | Item no.: **39639** | Version: **50 Hz; 400V 3~**

2 / 5

Document type: **Product card** | Document date: **2019-06-24** | Generated by: **Online catalogue**

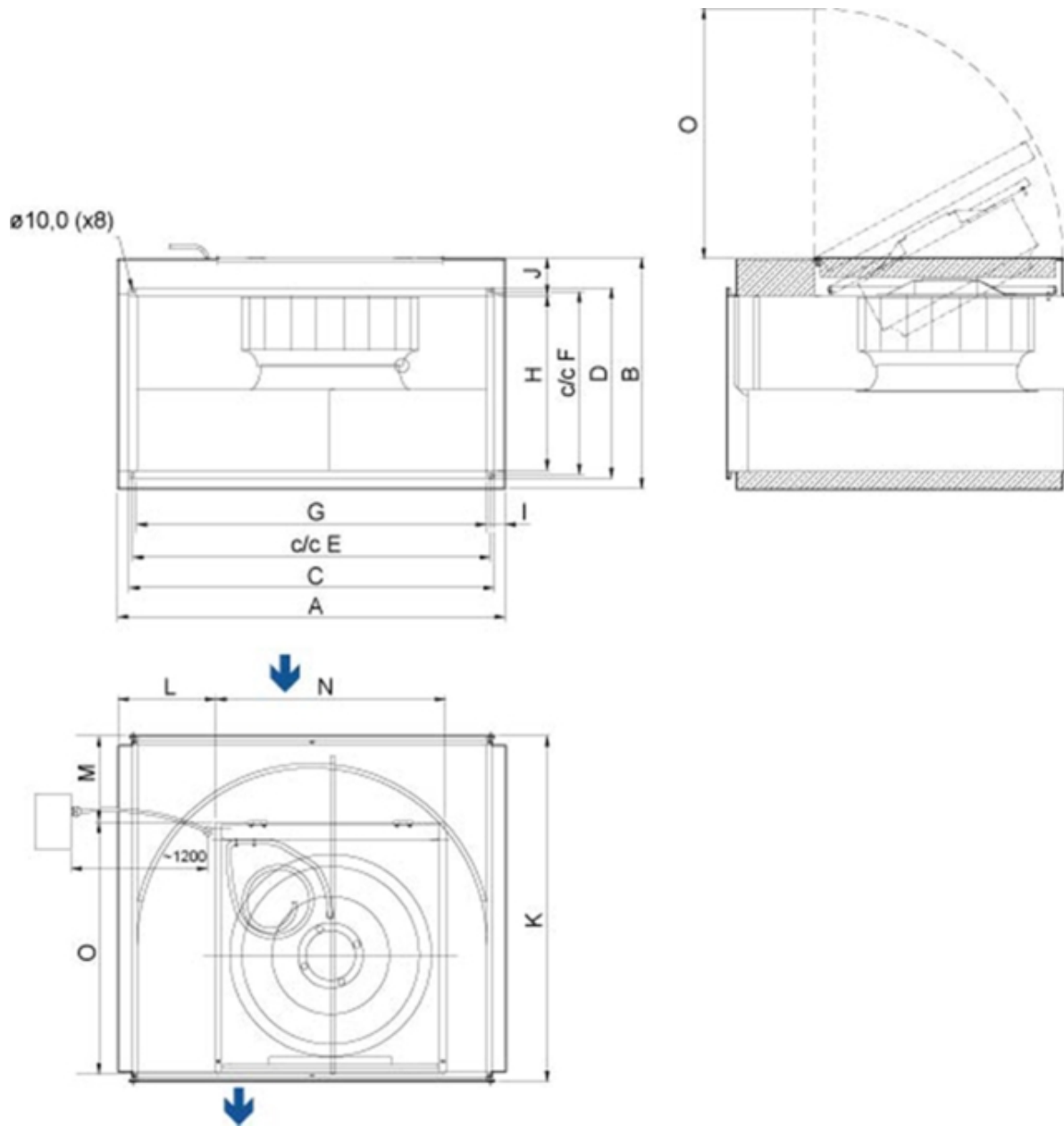
Get In Touch

Call: [0845 6880112](tel:08456880112)
 Email: info@adremit.co.uk

Our Address

Puravent, Adremit Limited, Unit 5a, Commercial Yard,
 Settle, North Yorkshire, BD24 9RH

Dimensions



RSI EC/AC	A	B	C	D	E	F	G	H	I	J	K	L	M	N	O
70-40	808	564	741	441	720	420	697	397	55,5	114	787	202	170	532	596
80-50	908	683	841	541	820	520	797	497	55,5	133	882	195	144	656	716
100-50	1108	683	1041	541	1020	520	998	498	55,5	133	982	302	215	678	746

Name: **RSI 80-50 M3 SILEO** | Item no.: **39639** | Version: **50 Hz; 400V 3~**

Document type: **Product card** | Document date: **2019-06-24** | Generated by: **Online catalogue**

3 / 5

Get In Touch



Call: [0845 6880112](tel:08456880112)



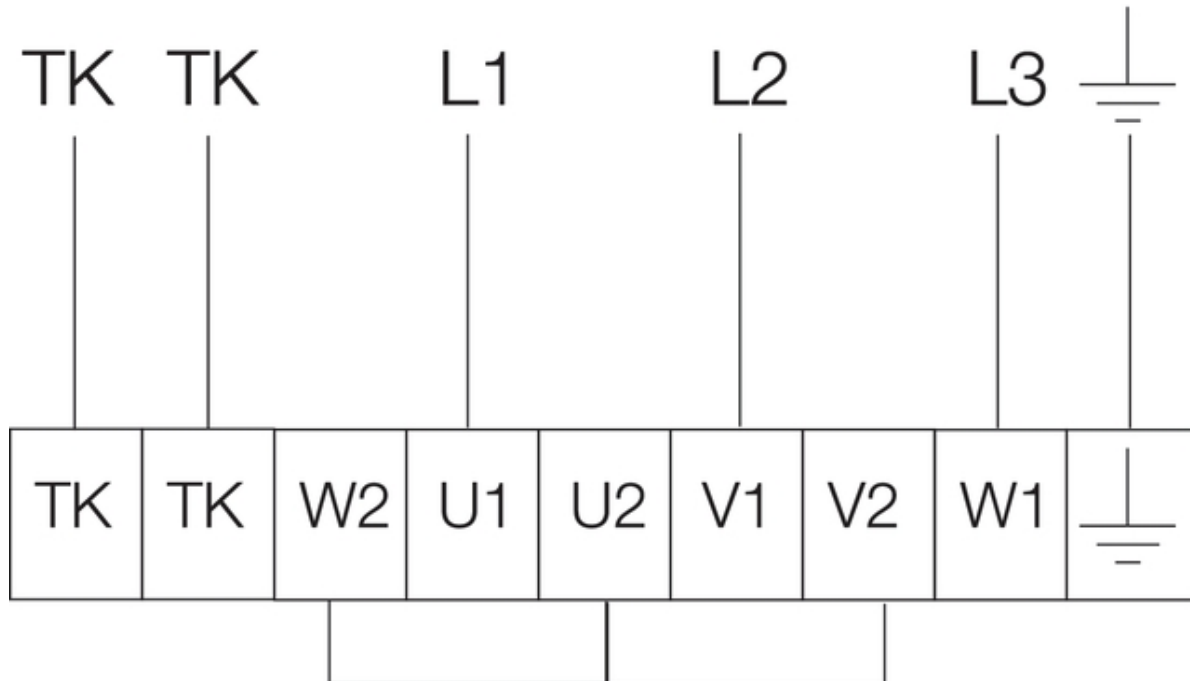
Email: info@adremit.co.uk

Our Address

Puravent, Adremit Limited, Unit 5a, Commercial Yard,
Settle, North Yorkshire, BD24 9RH

Wiring

400V 3~



Accessories


Electric accessories

[RTRD 4 Speed cont. Systemair \(5942\)](#)
[RTRDU 4 Speed contr. Systemair \(5946\)](#)
[RT 0-30 Room Thermostat \(5151\)](#)
[STDT 16 Motor Protection \(5152\)](#)
[STDT 16E Motor Protection \(5153\)](#)
[CO2RT-R-D Transmitter \(6993\)](#)
[Presence detector/IR24-P \(6995\)](#)
[DTV200 \(6261\)](#)
[REV-5POL/07 ON/OFF \(33980\)](#)
[DTV500A \(96807\)](#)

Accessories

[VBR 80-50-2 Water heating batt \(5469\)](#)
[VBR 80-50-3 Water heating batt \(5477\)](#)
[LDR 80-50 Silencer \(5075\)](#)
[FFK 80-50 filter cassette \(30236\)](#)
[DS 80-50 Flexible connection \(1553\)](#)
[GFL 80-50 Counter flange \(2711\)](#)
[VK-80-50 Louvre shutter \(5655\)](#)
[DXRE 80-50-3-2,5 Duct cooler \(7958\)](#)
[RB 80-50/45-3 400V/3 Duct heat \(9647\)](#)
[RB 80-50/68-4 400V/3 Duct heat \(9648\)](#)
[RKT-SYS-800x500-S \(43639\)](#)
[RK-SYS-800x500-R \(43649\)](#)
[RK-SYS-800x500-S \(43658\)](#)

Documentation

 [202341_Fans_Instructions_CE_A010.pdf \(1,83MB\)](#)

Name: **RSI 80-50 M3 SILEO** | Item no.: **39639** | Version: **50 Hz; 400V 3~**

Document type: **Product card** | Document date: **2019-06-24** | Generated by: **Online catalogue**

4 / 5

Get In Touch

 **Call:** [0845 6880112](tel:08456880112)
 **Email:** info@adremit.co.uk

Our Address

Puravent, Adremit Limited, Unit 5a, Commercial Yard,
Settle, North Yorkshire, BD24 9RH



Specification text

The box consists of electroplated steel plate. The fans have a radial impeller with backwards- curved impeller vanes witch are pivoting. For making cleaning and attendance easier the fan device is assembled at the folding closure head. The fans can be installed in each fitting position and with the help of the flexible DS connection they are very easy to built in. The actuation is carried out by a foolproofed, maintenance- free and speed- controlled external rotor motor. For protecting the motor, the production run has built in thermal contacts with manually reset device with completed lines to a motor protection device according to EN 60335-2-80. For annealing the engine is designed inside the air flow. Impeller according to VDI 2060, quality category Q6,3 and dynamically weigh heavy in two levels.

Get In Touch



Call: [0845 6880112](tel:08456880112)



Email: info@adremit.co.uk

Our Address

Puravent, Adremit Limited, Unit 5a, Commercial Yard,
Settle, North Yorkshire, BD24 9RH