



RSI 70-40 L3 SILEO

Item no. 39638

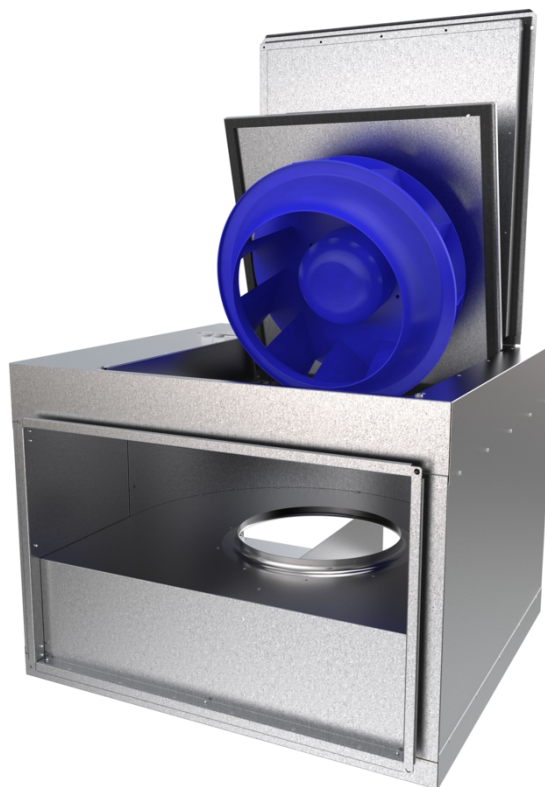
Version: 400V 3~



Description

- Speed-controllable
- Integral thermal contacts
- Can be installed in any position
- Maintenance-free and reliable

The RSI models have impellers with backward-curved blades and external rotor motors. The motor and impeller are mounted on the access cover to facilitate easy maintenance. The RSI models are thermally and acoustically insulated with 50 mm of mineral wool, with perforated sheet steel on the inner surface. To protect the motor from overheating the RSI fans have integral thermal contacts with external leads for connection to a motor protection device. The fans can be installed in any position and are easy to connect using the DS flexible connections. The casing is manufactured from galvanised sheet steel.



Technical parameters

Nominal data		
Voltage	400	V
Frequency	50	Hz
Phase	3	~
Input power (P1)	542	W
Current	1,32	A
Max. airflow	1,28	m³/s
R.p.m.	1413	r.p.m.
Weight	69,2	kg
Temperature data		
Max. temperature of transported air	70	°C
Max. temperature of transported air when speed-controlled	70	°C

Get In Touch

 Call: [0845 6880112](tel:08456880112)
 Email: info@adremit.co.uk

Our Address

Puravent, Adremit Limited, Unit 5a, Commercial Yard,
 Settle, North Yorkshire, BD24 9RH

Sound data

Sound pressure level at 3 m 51,4 dB(A)

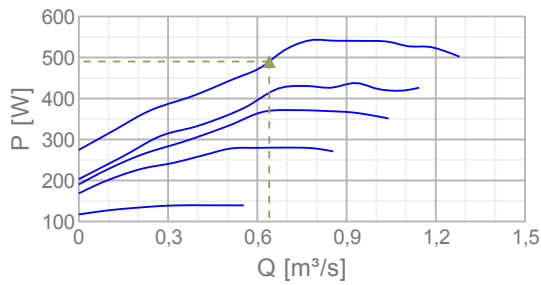
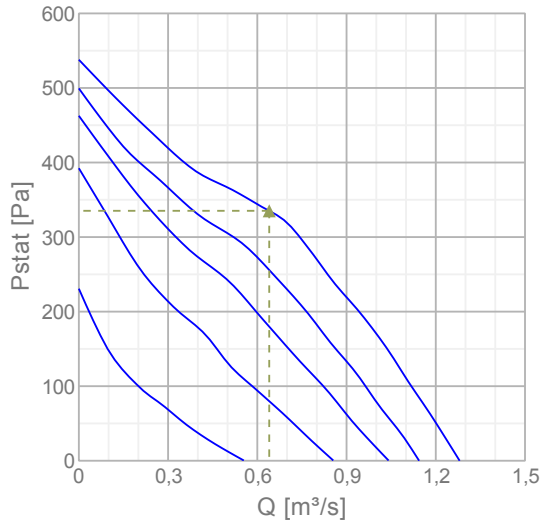
Protection / Classification

Insulation class F

Enclosure class, motor IP54

ErP

ErP ready ErP 2018

Diagrams**Diagrams****Max efficiency****Hydraulic data**

▲ Working air flow	0,64 m³/s
▲ Working static pressure	335 Pa
▲ Power	490 W
Speed	1423 r.p.m.
Current	1,26 A
SFP	0,766 W/(l/s)
Voltage	400 V

Sound power level		63	125	250	500	1k	2k	4k	8k	Tot
Inlet	dB(A)	54	66	61	61	58	56	52	44	69
Outlet	dB(A)	60	71	72	74	75	72	67	58	80
Surrounding	dB(A)	35	55	52	49	50	44	40	36	59

Name: **RSI 70-40 L3 SILEO** | Item no.: **39638** | Version: **400V 3~**Document type: **Product card** | Document date: **2019-06-24** | Generated by: **Online catalogue**

2 / 4

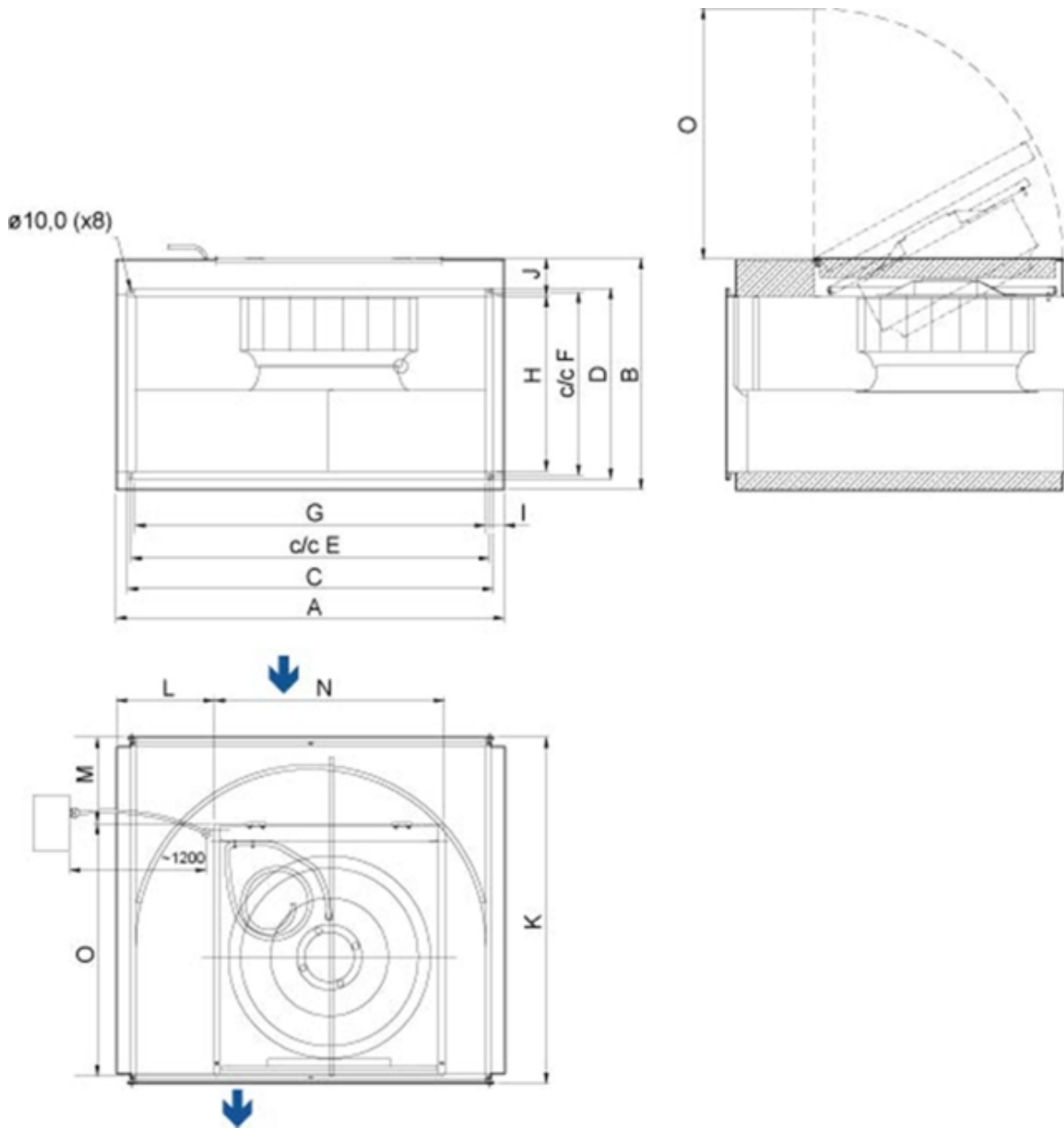
Get In Touch

Call: 0845 6880112
 Email: info@adremit.co.uk

Our Address

Puravent, Adremit Limited, Unit 5a, Commercial Yard,
 Settle, North Yorkshire, BD24 9RH

Dimensions



RSI EC/AC	A	B	C	D	E	F	G	H	I	J	K	L	M	N	O
70-40	808	564	741	441	720	420	697	397	55,5	114	787	202	170	532	596
80-50	908	683	841	541	820	520	797	497	55,5	133	882	195	144	656	716
100-50	1108	683	1041	541	1020	520	998	498	55,5	133	982	302	215	678	746

Name: **RSI 70-40 L3 SILEO** | Item no.: **39638** | Version: **400V 3~**

3 / 4

Document type: **Product card** | Document date: **2019-06-24** | Generated by: **Online catalogue**

Get In Touch



Call: [0845 6880112](tel:08456880112)

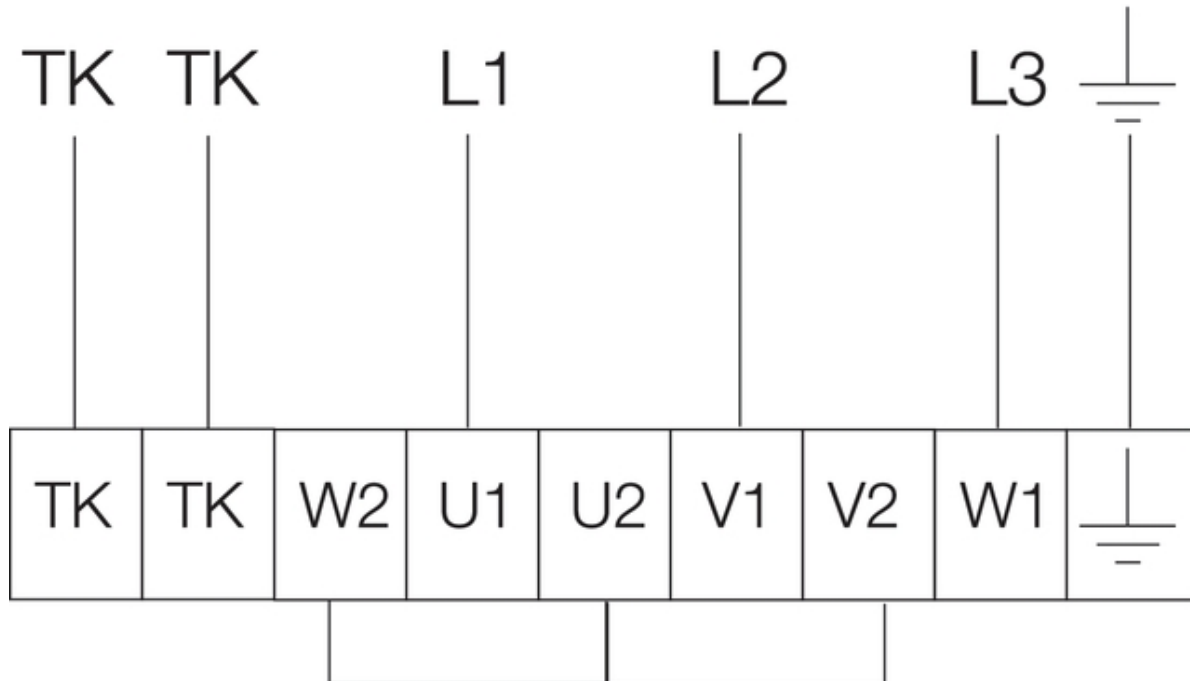


Email: info@adremit.co.uk

Our Address

Puravent, Adremit Limited, Unit 5a, Commercial Yard,
Settle, North Yorkshire, BD24 9RH

400V 3~



Accessories


Electric accessories

[RTRD 2 Speed Cont. Systemair \(5941\)](#)
[RTRDU 2 Speed contr. Systemair \(5945\)](#)
[RT 0-30 Room Thermostat \(5151\)](#)
[STDT 16 Motor Protection \(5152\)](#)
[STDT 16E Motor Protection \(5153\)](#)
[CO2RT-R-D Transmitter \(6993\)](#)
[Presence detector/IR24-P \(6995\)](#)
[DTV200 \(6261\)](#)
[REV-5POL/07 ON/OFF \(33980\)](#)
[DTV500A \(96807\)](#)

Accessories

[RBM 70-40/27 400V/3 Duct heater \(5455\)](#)
[PGK 70-40-3-2,0 Duct cooler \(6616\)](#)
[VBR 70-40-2 Water heating batt \(5468\)](#)
[VBR 70-40-3 Water heating batt \(5476\)](#)
[LDR 70-40 Silencer \(5074\)](#)
[FFK 70-40 Filter cassette rect \(1762\)](#)
[DS 70-40 Flexible connection \(1551\)](#)
[GFL 70-40 Counter flange \(2710\)](#)
[VK-70-40 Louvre shutter \(5652\)](#)
[DXRE 70-40-3-2,5 Duct cooler \(7957\)](#)
[RB 70-40/27-2 400V/3 Duct heat \(9645\)](#)
[RB 70-40/45-3 400V/3 Duct heat \(9646\)](#)
[RKT-SYS-700x400-S \(43636\)](#)
[RK-SYS-700x400-R \(43648\)](#)
[RK-SYS-700x400-S \(43657\)](#)

Documentation

 [202341_Fans_Instructions_CE_A010.pdf \(1,83MB\)](#)

Name: **RSI 70-40 L3 SILEO** | Item no.: **39638** | Version: **400V 3~**

Document type: **Product card** | Document date: **2019-06-24** | Generated by: **Online catalogue**

4 / 4

Get In Touch

 **Call:** [0845 6880112](tel:08456880112)
 **Email:** info@adremit.co.uk

Our Address

Puravent, Adremit Limited, Unit 5a, Commercial Yard,
Settle, North Yorkshire, BD24 9RH