



# RSI 70-40 L1 SILEO

Item no. 79389

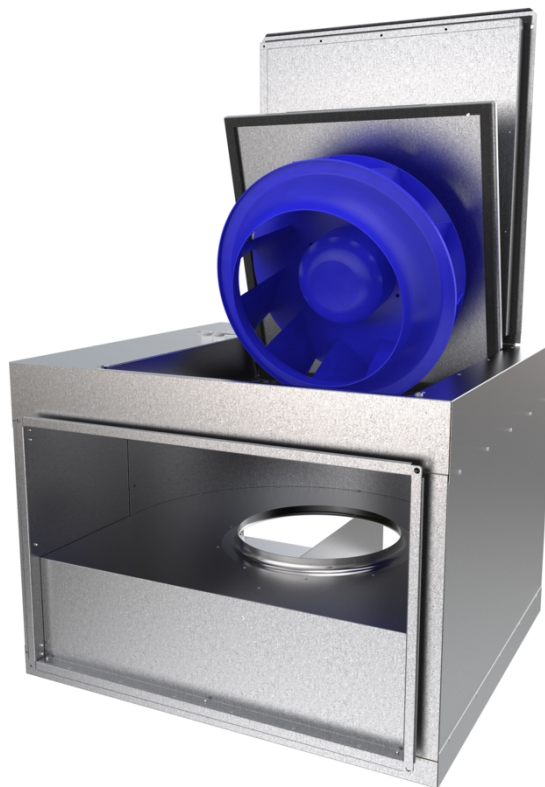
Document type: **Product card**  
 Document date: **2019-06-24**  
 Generated by: **Systemair Online Catalogue**



## Description

- Speed-controllable
- Integral thermal contacts
- Can be installed in any position
- Maintenance-free and reliable

The RSI models have impellers with backward-curved blades and external rotor motors. The motor and impeller are mounted on the access cover to facilitate easy maintenance. The RSI models are thermally and acoustically insulated with 50 mm of mineral wool, with perforated sheet steel on the inner surface. To protect the motor from overheating the RSI fans have integral thermal contacts with external leads for connection to a motor protection device. The fans can be installed in any position and are easy to connect using the DS flexible connections. The casing is manufactured from galvanised sheet steel.



## Technical parameters

Nominal data	
Voltage	230 V
Frequency	50 Hz
Phase	1 ~
Input power (P1)	480 W
Current	2,21 A
Max. airflow	1,19 m³/s
R.p.m.	1329 r.p.m.
Capacitor	12 µF
Weight	69,2 kg
Temperature data	
Max. temperature of transported air	70 °C
Max. temperature of transported air when speed-controlled	70 °C

### Get In Touch

Call: [0845 6880112](tel:08456880112)  
 Email: [info@adremit.co.uk](mailto:info@adremit.co.uk)

### Our Address

Puravent, Adremit Limited, Unit 5a, Commercial Yard,  
 Settle, North Yorkshire, BD24 9RH



### Sound data

Sound pressure level at 3 m 47,5 dB(A)

### Protection / Classification

Insulation class F

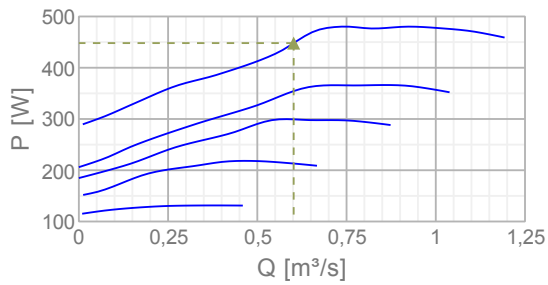
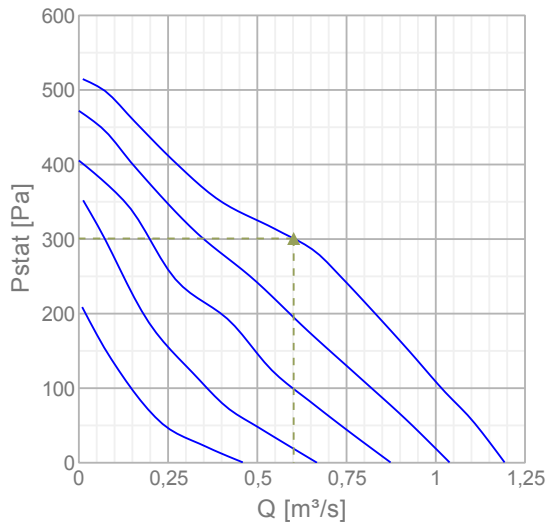
Enclosure class, motor IP54

### ErP

ErP ready ErP 2018

## Diagrams

### Diagrams



### Max efficiency

#### Hydraulic data

▲ Working air flow	0,602 m³/s
▲ Working static pressure	301 Pa
▲ Power	448 W
Speed	1347 r.p.m.
Current	2,07 A
SFP	0,744 W/(l/s)
Voltage	230 V

Sound power level		63	125	250	500	1k	2k	4k	8k	Tot
Inlet	dB(A)	56	64	59	58	55	53	51	44	67
Outlet	dB(A)	61	69	70	71	72	68	62	52	78
Surrounding	dB(A)	37	52	48	45	43	41	38	36	55

Name: **RSI 70-40 L1 SILEO** | Item no.: **79389**

2 / 5

Document type: **Product card** | Document date: **2019-06-24** | Generated by: **Online catalogue**

### Get In Touch



Call: 0845 6880112

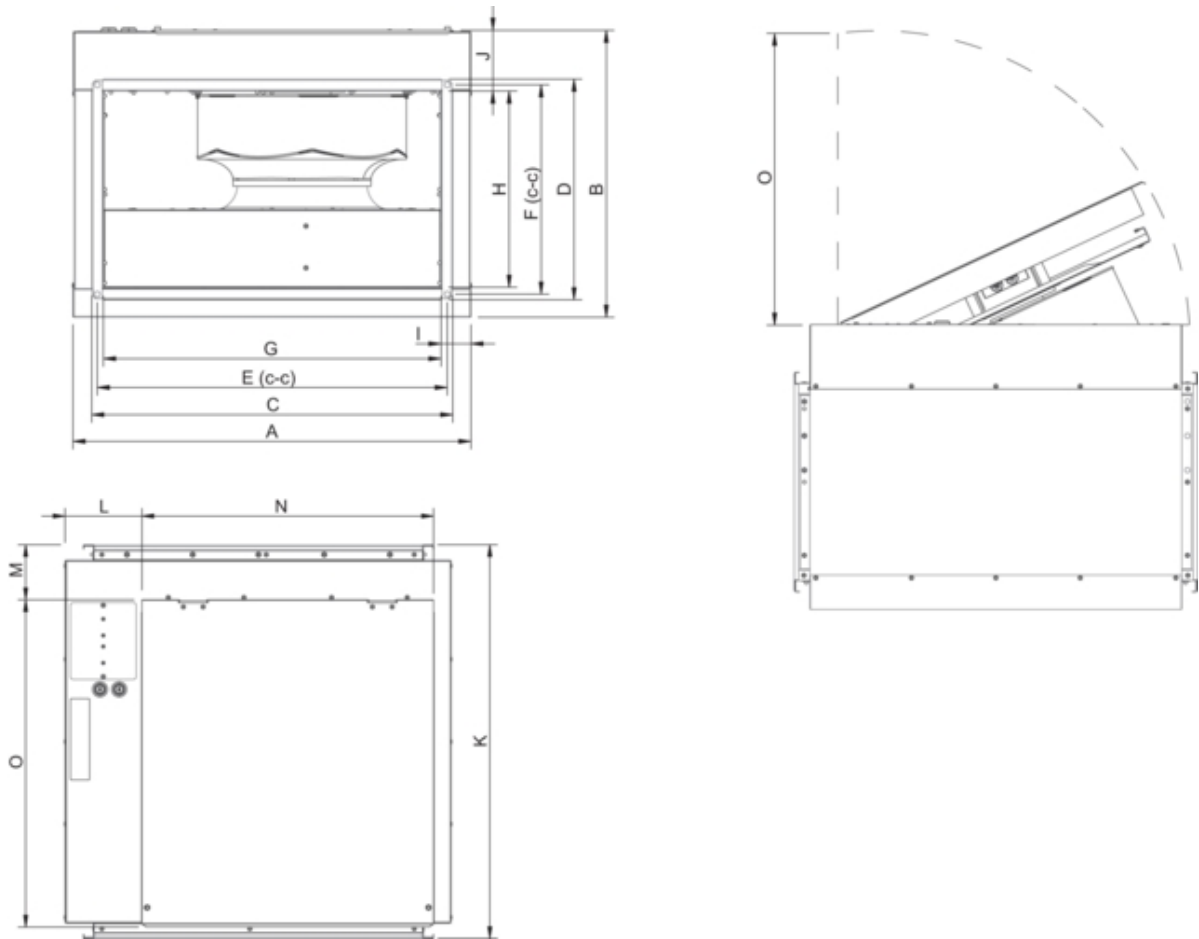


Email: [info@adremit.co.uk](mailto:info@adremit.co.uk)

### Our Address

Puravent, Adremit Limited, Unit 5a, Commercial Yard,  
Settle, North Yorkshire, BD24 9RH

## Dimensions



RSI EC/AC	A	B	C	D	E	F	G	H	I	J	K	L	M	N	O
70-40	808	564	741	441	720	420	697	397	55,5	114	787	202	170	532	596
80-50	908	683	841	541	820	520	797	497	55,5	133	882	195	144	656	716
100-50	1108	683	1041	541	1020	520	998	498	55,5	133	982	302	215	678	746

Name: **RSI 70-40 L1 SILEO** | Item no.: **79389**

Document type: **Product card** | Document date: **2019-06-24** | Generated by: **Online catalogue**

3 / 5

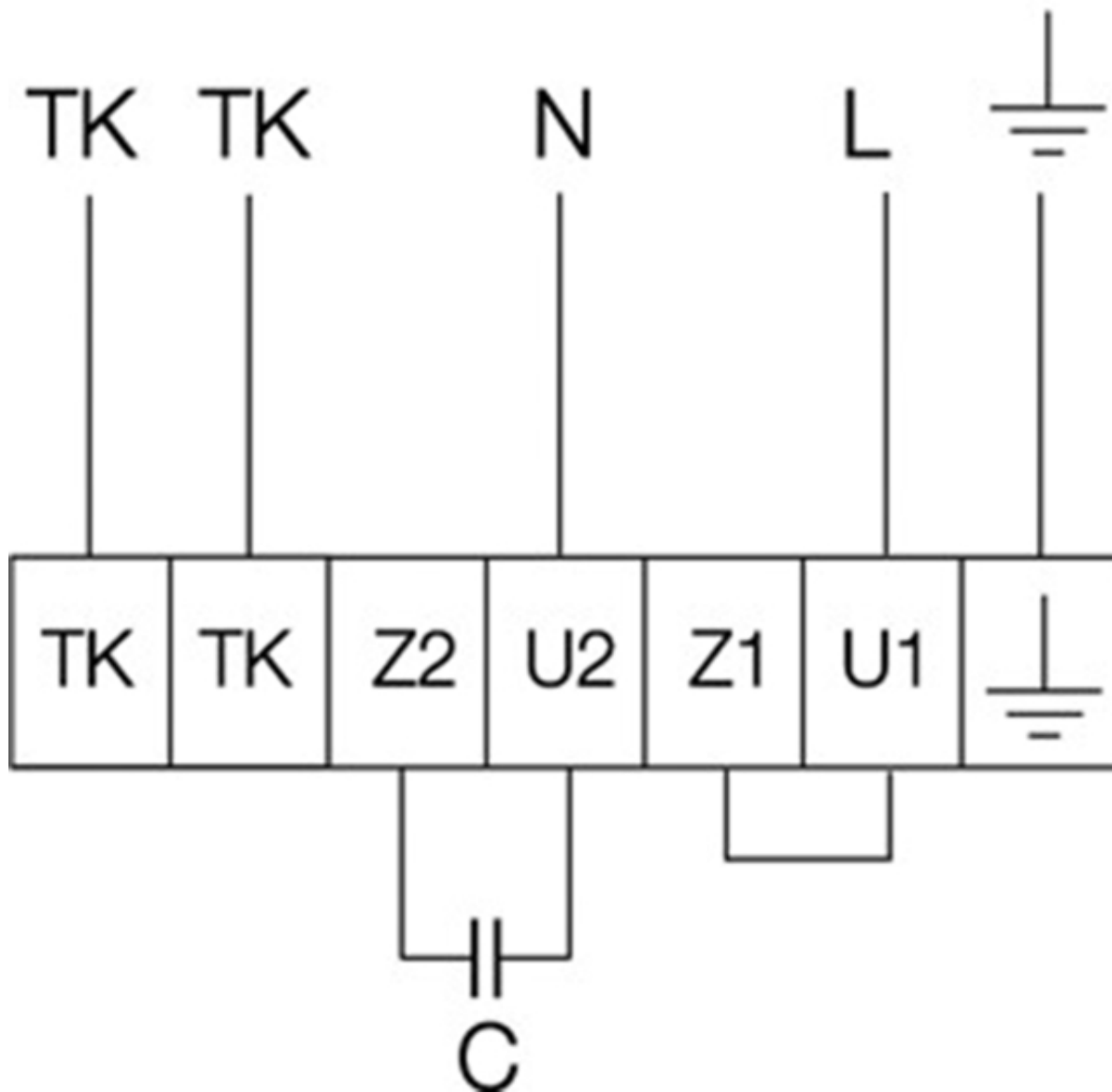
### Get In Touch

Call: [0845 6880112](tel:08456880112)  
 Email: [info@adremit.co.uk](mailto:info@adremit.co.uk)

### Our Address

Puravent, Adremit Limited, Unit 5a, Commercial Yard,  
 Settle, North Yorkshire, BD24 9RH

230V 1~



### Accessories

#### Electric accessories

[REU 3 Speed control \(5005\)](#)  
[RTRE 3 Speed control \(5009\)](#)  
[REE 4 Speed control \(5317\)](#)  
[REPT 6 Digital regulator \(5698\)](#)  
[RT 0-30 Room Thermostat \(5151\)](#)  
[S-ET 10 Motor Protection \(5154\)](#)  
[S-ET 10E Motor Protection \(5155\)](#)  
[CO2RT-R-D Transmitter \(6993\)](#)  
[Presence detector/IR24-P \(6995\)](#)  
[RETP 6 Temp/Pressure regulator \(32293\)](#)  
[DTV200 \(6261\)](#)  
[STL 5 Speed controller \(84271\)](#)  
[REV-5POL/05 ON/OFF \(33979\)](#)  
[DTV500A \(96807\)](#)

### Get In Touch

 **Call:** [0845 6880112](tel:08456880112)  
 **Email:** [info@adremit.co.uk](mailto:info@adremit.co.uk)

### Our Address

Puravent, Adremit Limited, Unit 5a, Commercial Yard,  
 Settle, North Yorkshire, BD24 9RH

## Accessories

[RBM 70-40/27 400V/3 Duct heater \(5455\)](#)

[VBR 70-40-2 Water heating batt \(5468\)](#)

[VBR 70-40-3 Water heating batt \(5476\)](#)

[LDR 70-40 Silencer \(5074\)](#)

[FFK 70-40 Filter cassette rect \(1762\)](#)

[DS 70-40 Flexible connection \(1551\)](#)

[GFL 70-40 Counter flange \(2710\)](#)

[VK-70-40 Louvre shutter \(5652\)](#)

[DXRE 70-40-3-2,5 Duct cooler \(7957\)](#)

[RB 70-40/27-2 400V/3 Duct heat \(9645\)](#)

[RB 70-40/45-3 400V/3 Duct heat \(9646\)](#)

[RKT-SYS-700x400-S \(43636\)](#)

[RK-SYS-700x400-R \(43648\)](#)

[RK-SYS-700x400-S \(43657\)](#)

## Documentation



202341\_Fans\_Instructions\_CE\_A010.pdf (1,83MB)

### Get In Touch



Call: [0845 6880112](tel:08456880112)



Email: [info@adremit.co.uk](mailto:info@adremit.co.uk)

### Our Address

Puravent, Adremit Limited, Unit 5a, Commercial Yard,  
Settle, North Yorkshire, BD24 9RH