



RSI 70-40 EC SILEO

Item no. 92933

Document type: **Product card**
 Document date: **2019-06-24**
 Generated by: **Systemair Online Catalogue**



Description

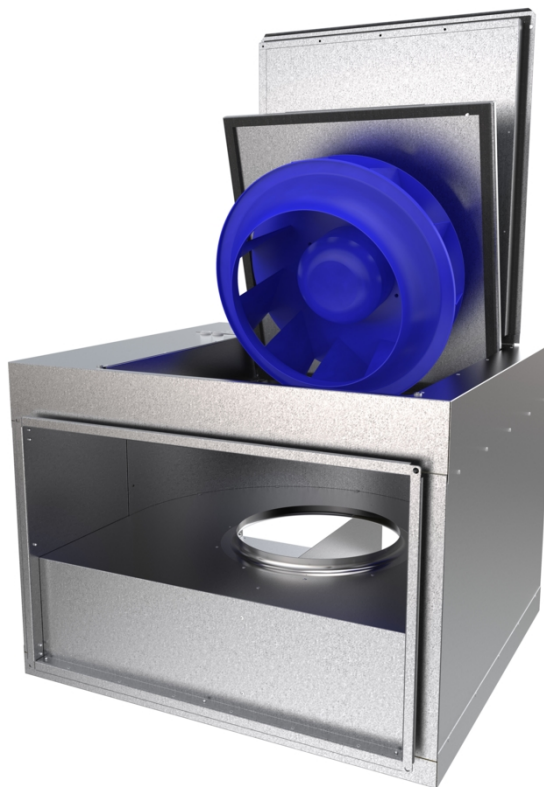
- EC-motors, high level of efficiency
- 100% speed controllable
- Integrated motor protection
- Can be installed in any position
- Potentiometer included for easy commissioning

The RSI models are thermally and acoustically insulated with 50mm mineral wool and perforated sheet steel on the inner surface. This gives a quiet running with many installation possibilities.

The RS/RSI EC series have impellers with backward-curved blades and are fitted to EC external rotor motors. These fans have a high capacity in relation to their compact design. The fans are delivered with a pre-wired potentiometer (0-10V) which allows you to easily find the desired working point.

EC fans are notable for their economical use of energy and excellent ease of control. They can be varied in speed to match the airflow demand, and operate at high efficiency levels. For the same air volume, they consume distinctly less energy than AC fan drives.

Motor protection is integrated in the electronics of the motor. The casing is manufactured from galvanized sheet steel.



Technical parameters

Nominal data	
Voltage	230 V
Frequency	50/60 Hz
Phase	1 ~
Input power (P1)	653 W
Current	2,95 A
Max. airflow	1,45 m³/s
R.p.m.	1578 r.p.m.
Weight	68,5 kg
Temperature data	
Max. temperature of transported air	60 °C
Sound data	
Sound pressure level at 3 m	51,3 dB(A)

Get In Touch

Call: [0845 6880112](tel:08456880112)
 Email: info@adremit.co.uk

Our Address

Puravent, Adremit Limited, Unit 5a, Commercial Yard,
 Settle, North Yorkshire, BD24 9RH



Protection / Classification

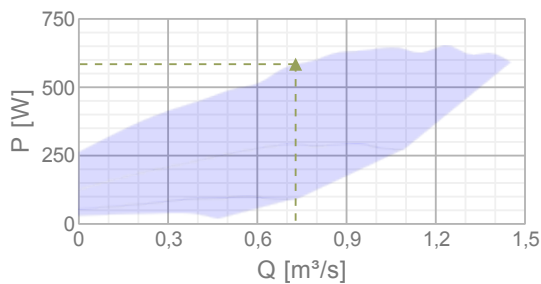
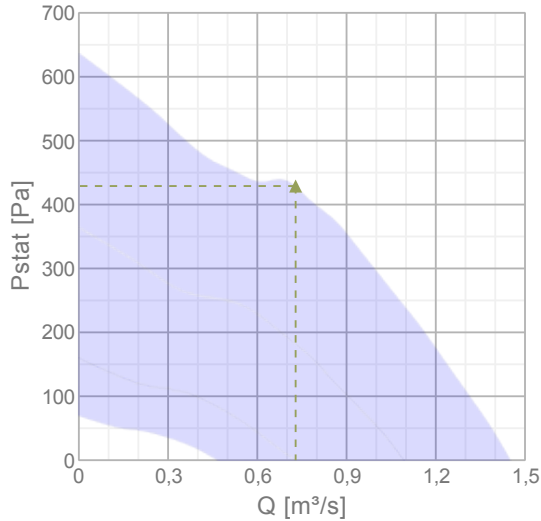
Insulation class	F
Enclosure class, motor	IP54

ErP

ErP ready	ErP 2018
-----------	----------

Diagrams

Diagrams



Max efficiency

Hydraulic data										
▲ Working air flow	0,729 m³/s									
▲ Working static pressure	429 Pa									
▲ Power	584 W									
Speed	1579 r.p.m.									
Current	2,66 A									
SFP	0,802 W/(l/s)									
Voltage	230 V									
Sound power level		63	125	250	500	1k	2k	4k	8k	Tot
Inlet	dB(A)	54	67	65	63	59	58	54	47	71
Outlet	dB(A)	60	70	74	76	77	75	70	61	82
Surrounding	dB(A)	32	52	54	49	49	47	43	37	58

Name: **RSI 70-40 EC SILEO** | Item no.: **92933**

Document type: **Product card** | Document date: **2019-06-24** | Generated by: **Online catalogue**

2 / 5

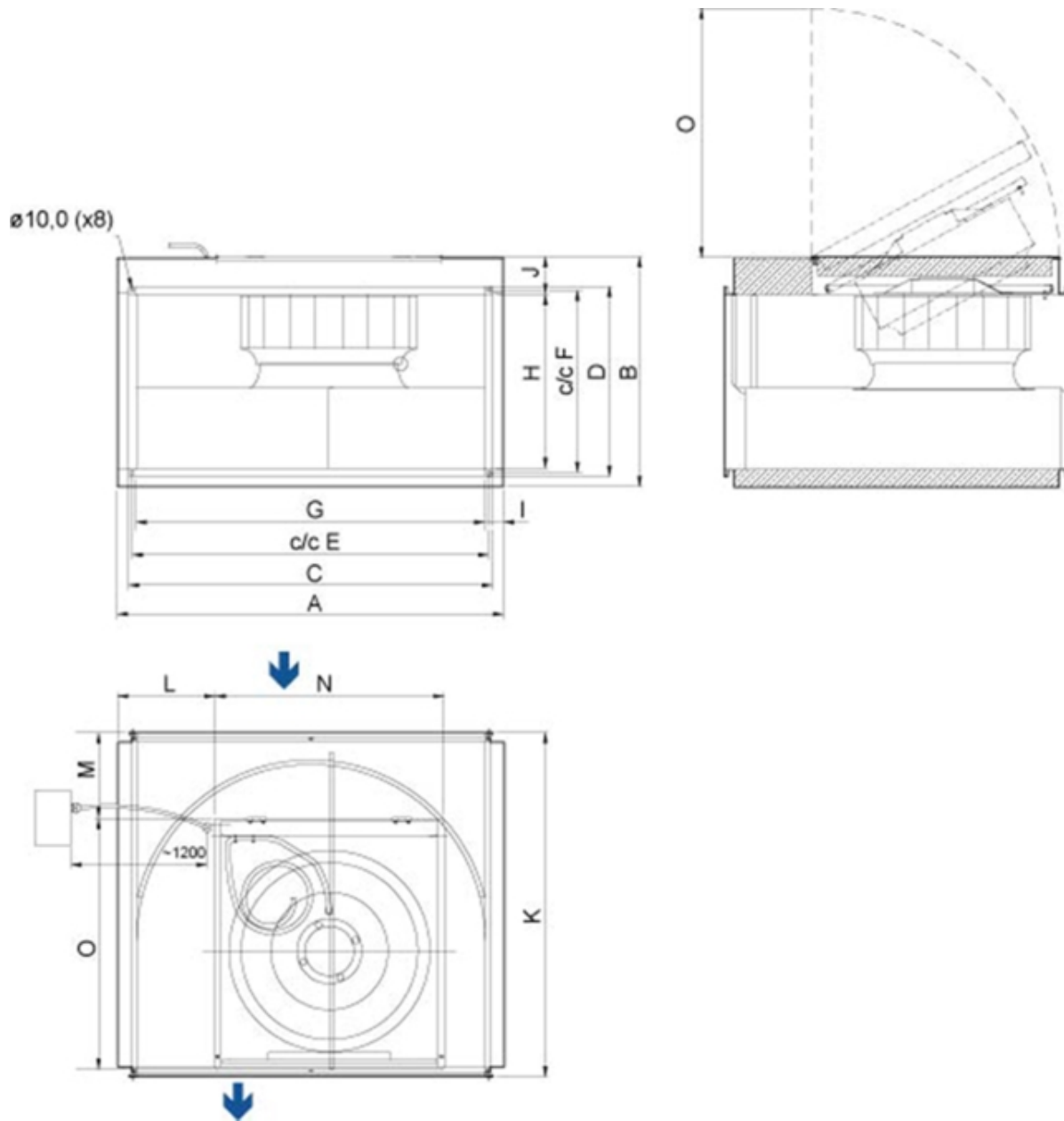
Get In Touch

 **Call:** 0845 6880112
 **Email:** info@adremit.co.uk

Our Address

Puravent, Adremit Limited, Unit 5a, Commercial Yard, Settle, North Yorkshire, BD24 9RH

Dimensions



RSI EC/AC	A	B	C	D	E	F	G	H	I	J	K	L	M	N	O
70-40	808	564	741	441	720	420	697	397	55,5	114	787	202	170	532	596
80-50	908	683	841	541	820	520	797	497	55,5	133	882	195	144	656	716
100-50	1108	683	1041	541	1020	520	998	498	55,5	133	982	302	215	678	746

Name: **RSI 70-40 EC SILEO** | Item no.: **92933**

Document type: **Product card** | Document date: **2019-06-24** | Generated by: **Online catalogue**

3 / 5

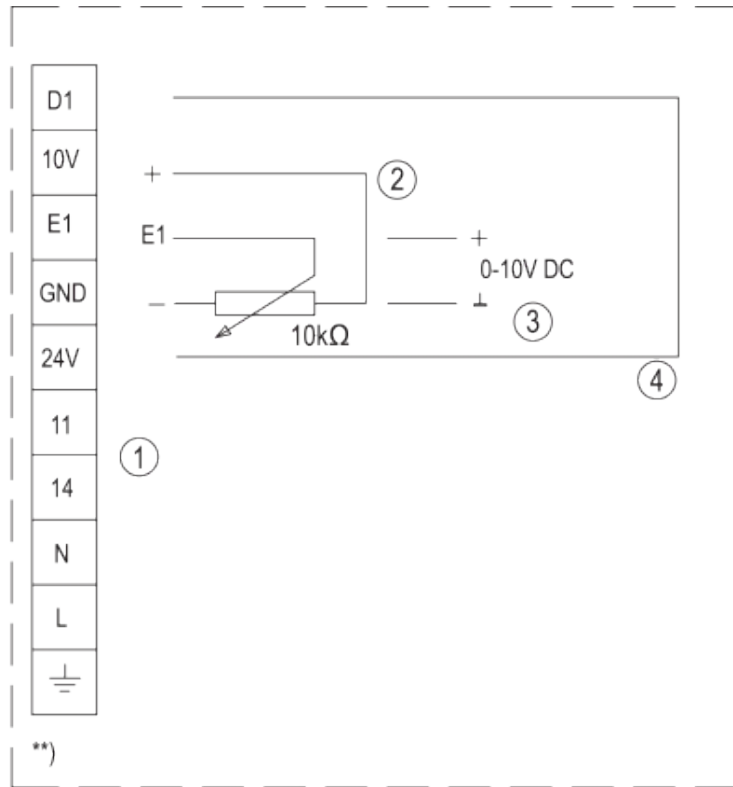
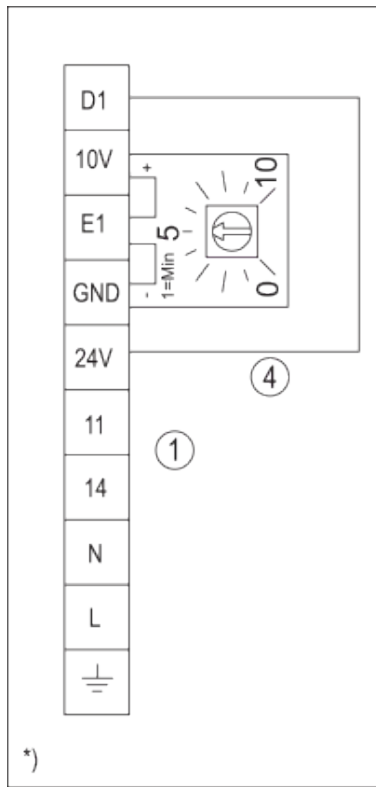
Get In Touch

Call: [0845 6880112](tel:08456880112)
 Email: info@adremit.co.uk

Our Address

Puravent, Adremit Limited, Unit 5a, Commercial Yard,
 Settle, North Yorkshire, BD24 9RH

Wiring



*) = Internal potentiometer

**) = External speed control

1 11 & 14 = Alarm

For operation the relay is energized, connections "11" and "14" are bridged.

For fault the relay is de-energized (Diagnostics/faults).

Contact rating max. AC 250V 2A.

2 External potentiometer

3 External input DC 0...10V

4 External ON / OFF control via potential free contact

Accessories

Electric accessories

[RT 0-30 Room Thermostat \(5151\)](#)

[CO2RT-R-D Transmitter \(6993\)](#)

[Presence detector/IR24-P \(6995\)](#)

[MTV-1/010 Controller 0...10V+ \(30650\)](#)

[MTP 10, 10K, Speed control \(32731\)](#)

[DTV200 \(6261\)](#)

[EC-Vent Room Unit \(3018\)](#)

[EC-Vent control board \(3115\)](#)

[REV-5POL/05 ON/OFF \(33979\)](#)

[MTP 20, on/off, 3-step \(310220\)](#)

[EC-Basic-H humidity \(24807\)](#)

[EC-Basic-T temperature \(24805\)](#)

[EC-Basic-U universal 0-10V \(24806\)](#)

[EC-Basic-CO2 and temperature \(24808\)](#)

[EC-Selector \(9908\)](#)

[CXE/AVC Modbus \(37256\)](#)

[S-5EC/FRQ \(76738\)](#)

[DTV500A \(96807\)](#)

Get In Touch



Call: [0845 6880112](tel:08456880112)



Email: info@adremit.co.uk

Our Address

Puravent, Adremit Limited, Unit 5a, Commercial Yard,
Settle, North Yorkshire, BD24 9RH

Accessories

[RBM 70-40/27 400V/3 Duct heater \(5455\)](#)

[VBR 70-40-2 Water heating batt \(5468\)](#)

[VBR 70-40-3 Water heating batt \(5476\)](#)

[LDR 70-40 Silencer \(5074\)](#)

[FFK 70-40 Filter cassette rect \(1762\)](#)

[DS 70-40 Flexible connection \(1551\)](#)

[GFL 70-40 Counter flange \(2710\)](#)

[VK-70-40 Louvre shutter \(5652\)](#)

[DXRE 70-40-3-2,5 Duct cooler \(7957\)](#)

[RB 70-40/27-2 400V/3 Duct heat \(9645\)](#)

[RB 70-40/45-3 400V/3 Duct heat \(9646\)](#)

[RKT-SYS-700x400-S \(43636\)](#)

[RK-SYS-700x400-R \(43648\)](#)

[RK-SYS-700x400-S \(43657\)](#)

Documentation



[202341_Fans_Instructions_CE_A010.pdf \(1,83MB\)](#)



[EC-fans_Operation_and_maintenance_instr_206268_CE_\(A022\).pdf \(2,88MB\)](#)

Specification text

Rectangular duct fan for easy and direct installation in ducts. For extract and supply air installations. The RSI models are thermally and acoustically insulated with 50 mm of mineral wool.

Galvanized sheet steel housing. Service cover. The fan unit is mounted on the service cover for easy cleaning and maintenance. Free-running, backward curved circular impeller made of composite PA6. Impeller acc. to VDI 2060, balancing quality G 6.3, dynamically balanced in two planes. EC-external rotor motor, maintenance-free, the motor is placed inside the air flow for cooling. Integrated, electronic motor protection. Integrated speed controller, the fan is equipped with a potentiometer (0-10V) to set the operating point directly. Integrated, electronic motor protection. Installation in any mounting position. For indoor installation.

Get In Touch



Call: [0845 6880112](tel:08456880112)



Email: info@adremit.co.uk

Our Address

Puravent, Adremit Limited, Unit 5a, Commercial Yard,
Settle, North Yorkshire, BD24 9RH