



RSI 60-35 L1 SILEO

Item no. 79387

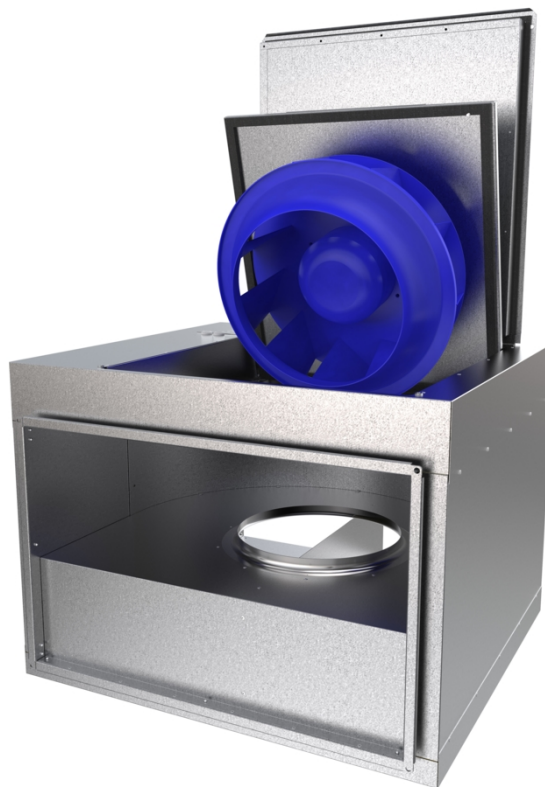
Document type: **Product card**
 Document date: **2019-06-24**
 Generated by: **Systemair Online Catalogue**



Description

- Speed-controllable
- Integral thermal contacts
- Can be installed in any position
- Maintenance-free and reliable

The RSI models have impellers with backward-curved blades and external rotor motors. The motor and impeller are mounted on the access cover to facilitate easy maintenance. The RSI models are thermally and acoustically insulated with 50 mm of mineral wool, with perforated sheet steel on the inner surface. To protect the motor from overheating the RSI fans have integral thermal contacts with external leads for connection to a motor protection device. The fans can be installed in any position and are easy to connect using the DS flexible connections. The casing is manufactured from galvanised sheet steel.



Technical parameters

Nominal data	
Voltage	230 V
Frequency	50 Hz
Phase	1 ~
Input power (P1)	492 W
Current	2,25 A
Max. airflow	1,07 m³/s
R.p.m.	1326 r.p.m.
Capacitor	4 µF
Weight	60,4 kg
Temperature data	
Max. temperature of transported air	70 °C
Max. temperature of transported air when speed-controlled	70 °C

Get In Touch

Call: [0845 6880112](tel:08456880112)
 Email: info@adremit.co.uk

Our Address

Puravent, Adremit Limited, Unit 5a, Commercial Yard,
 Settle, North Yorkshire, BD24 9RH



Sound data

Sound pressure level at 3 m 52,8 dB(A)

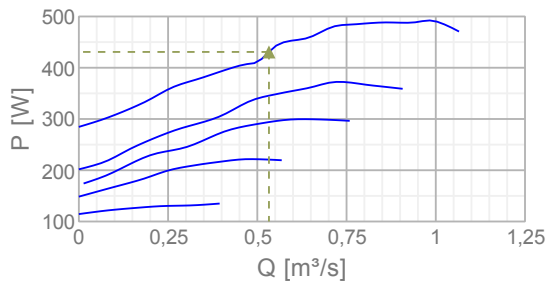
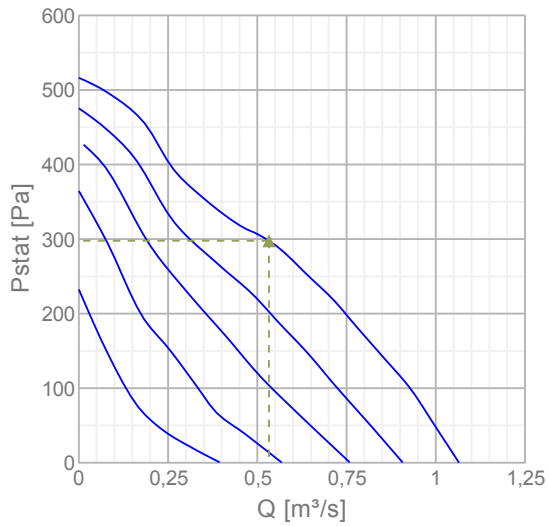
Protection / Classification

Insulation class F

Enclosure class, motor IP54

ErP

ErP ready ErP 2018

Diagrams**Diagrams****Max efficiency****Hydraulic data**

▲ Working air flow	0,533 m³/s
▲ Working static pressure	298 Pa
▲ Power	431 W
Speed	1355 r.p.m.
Current	2 A
SFP	0,809 W/(l/s)
Voltage	230 V

Sound power level		63	125	250	500	1k	2k	4k	8k	Tot
Inlet	dB(A)	58	69	62	62	59	55	51	44	71
Outlet	dB(A)	59	72	73	74	74	72	67	57	80
Surrounding	dB(A)	38	58	53	50	48	45	38	37	60

Name: **RSI 60-35 L1 SILEO** | Item no.: **79387**

2 / 5

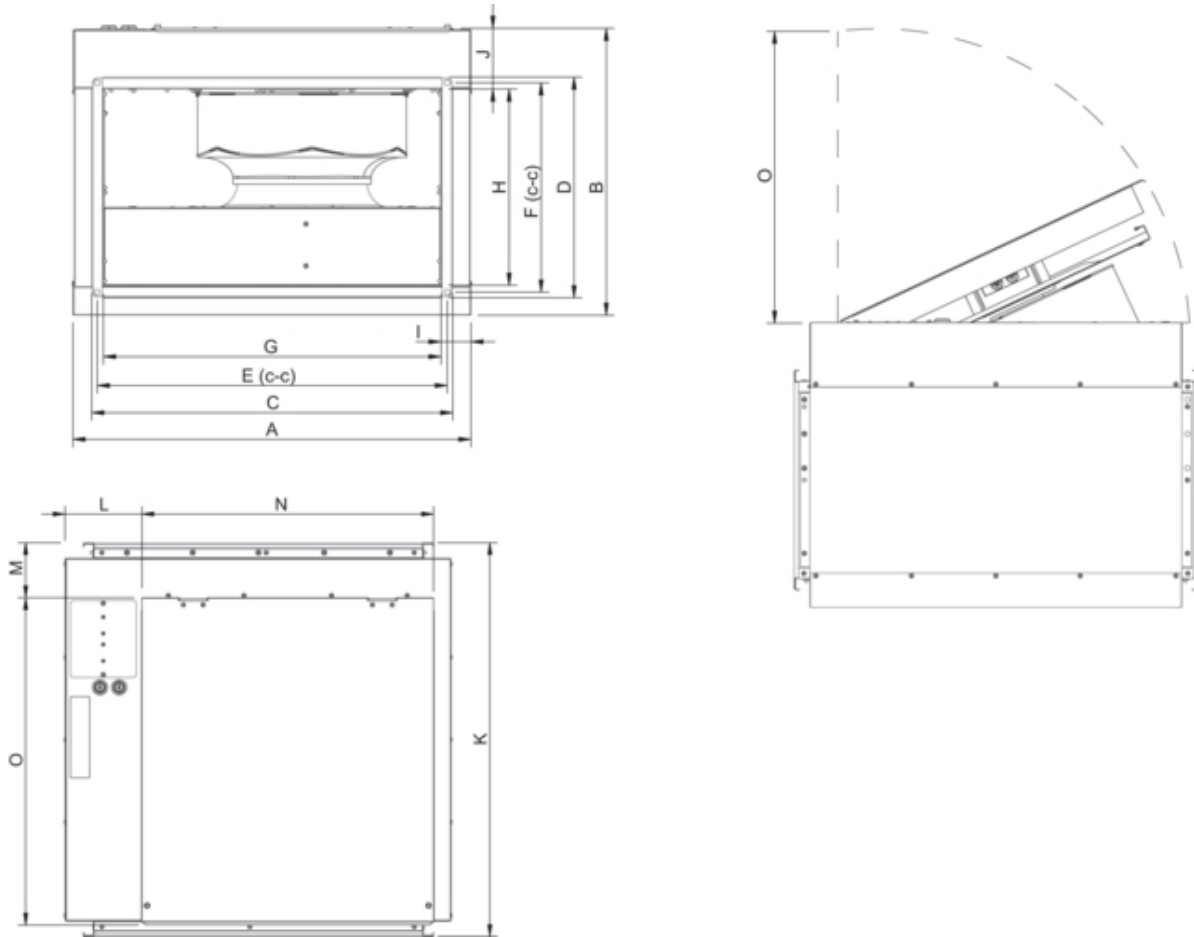
Document type: **Product card** | Document date: **2019-06-24** | Generated by: **Online catalogue****Get In Touch**

Call: 0845 6880112
 Email: info@adremit.co.uk

Our Address

Puravent, Adremit Limited, Unit 5a, Commercial Yard,
 Settle, North Yorkshire, BD24 9RH

Dimensions



	A	B	C	D	E	F	G	H	I	J	K	L	M	N	O
RSI 60-35	705	508	641	391	620	370	598	348	55	108	717	140	100	532	597

Name: **RSI 60-35 L1 SILEO** | Item no.: **79387**

Document type: **Product card** | Document date: **2019-06-24** | Generated by: **Online catalogue**

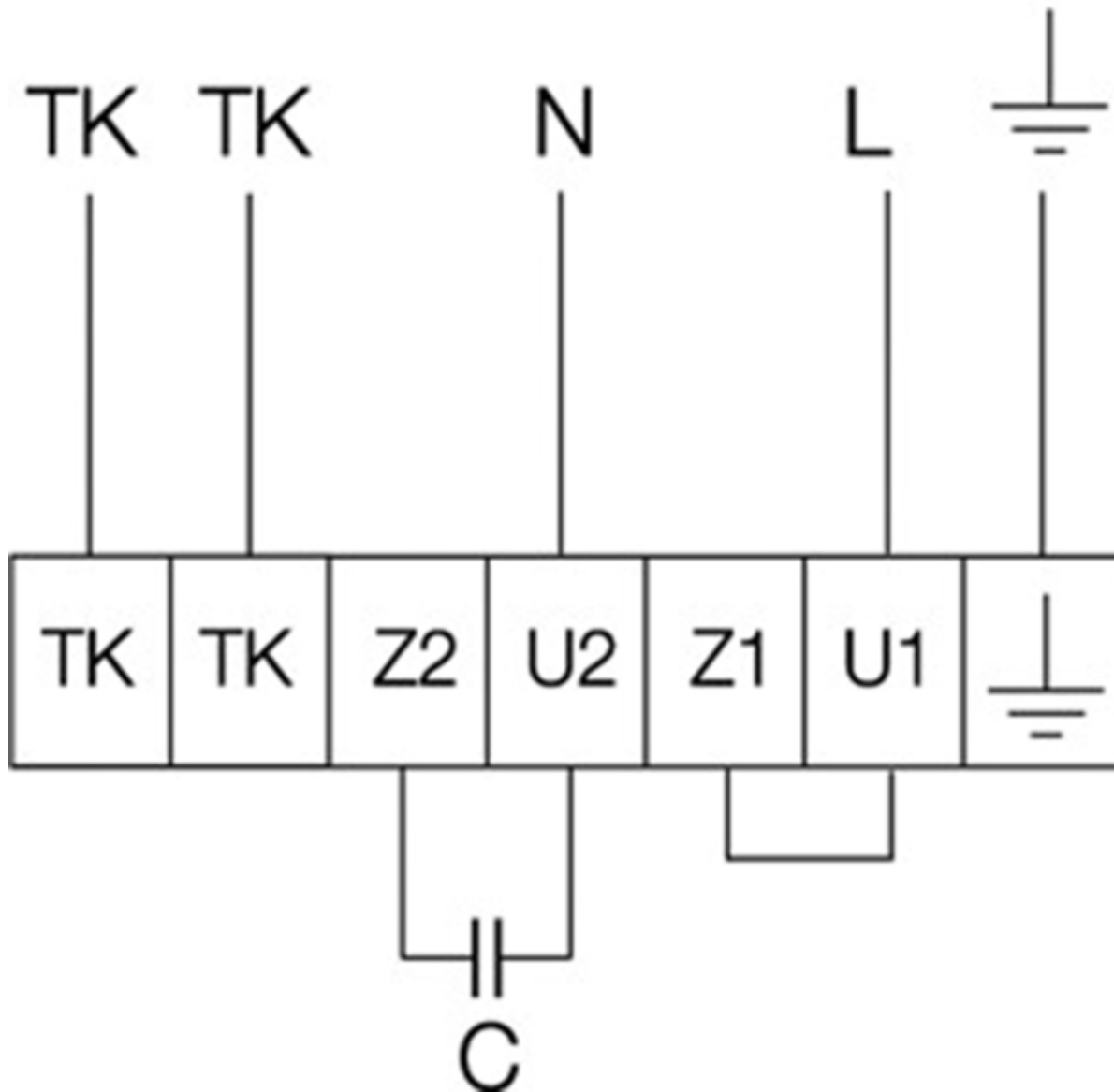
Get In Touch

Call: [0845 6880112](tel:08456880112)
 Email: info@adremit.co.uk

Our Address

Puravent, Adremit Limited, Unit 5a, Commercial Yard,
 Settle, North Yorkshire, BD24 9RH

230V 1~



Accessories

Electric accessories

- [REU 3 Speed control \(5005\)](#)
- [RTRE 3 Speed control \(5009\)](#)
- [REE 4 Speed control \(5317\)](#)
- [REPT 6 Digital regulator \(5698\)](#)
- [RT 0-30 Room Thermostat \(5151\)](#)
- [S-ET 10 Motor Protection \(5154\)](#)
- [S-ET 10E Motor Protection \(5155\)](#)
- [CO2RT-R-D Transmitter \(6993\)](#)
- [Presence detector/IR24-P \(6995\)](#)
- [RETP 6 Temp/Pressure regulator \(32293\)](#)
- [DTV200 \(6261\)](#)
- [STL 5 Speed controller \(84271\)](#)
- [REV-5POL/05 ON/OFF \(33979\)](#)
- [DTV500A \(96807\)](#)

Get In Touch

 **Call:** [0845 6880112](tel:08456880112)
 **Email:** info@adremit.co.uk

Our Address

Puravent, Adremit Limited, Unit 5a, Commercial Yard,
 Settle, North Yorkshire, BD24 9RH

Accessories

[RBM 60-35/27 400V/3 Duct heater \(5454\)](#)

[VBR 60-35-2 Water heating batt \(5467\)](#)

[VBR 60-35-4 Water heating batt \(5475\)](#)

[LDR 60-35 Silencer \(5073\)](#)

[FFK 60-35 Filter cassette rect \(1761\)](#)

[DS 60-35 Flexible connection \(1549\)](#)

[GFL 60-35 Counter flange \(2709\)](#)

[VK-60-35 Louvre shutter \(5650\)](#)

[DXRE 60-35-3-2,5 Duct cooler \(7956\)](#)

[RB 60-35/27-2 400V/3 Duct heat \(9643\)](#)

[RB 60-35/45-3 400V/3 Duct heat \(9644\)](#)

[RKT-SYS-600x350-S \(43633\)](#)

[RK-SYS-600x350-S \(43656\)](#)

Documentation



[202341_Fans_Instructions_CE_A010.pdf \(1,83MB\)](#)

Get In Touch



Call: [0845 6880112](tel:08456880112)



Email: info@adremit.co.uk

Our Address

Puravent, Adremit Limited, Unit 5a, Commercial Yard,
Settle, North Yorkshire, BD24 9RH