



REE 2 SPEED CONTROL

Item no. 5316

Document type: **Product card**
 Document date: **2019-06-25**
 Generated by: **Systemair Online Catalogue**

Description

Thyristor speed controller
 - only surface mounting

For the manual control of speed and air flow of electrical fans, AC-induction motors of universal motor- and permanent-capacitor type. The jetproof IP 54 enclosure is achieved with the included surface mounting case. Several motors can be connected in parallel as long as the total current does not exceed current range. Starting currents must be considered when choosing speed controller type. Fans to be used with this controller require a built-in overheating protection and should be designed for thyristor speed control.



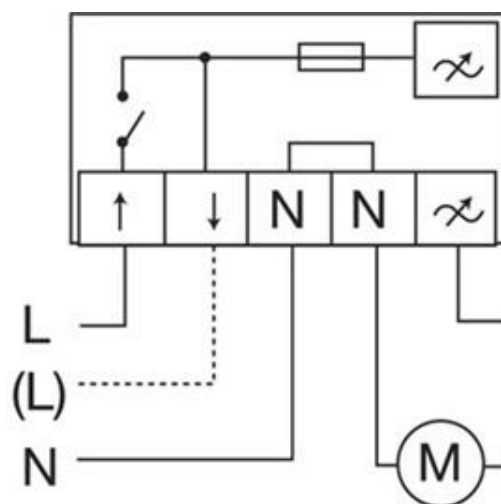
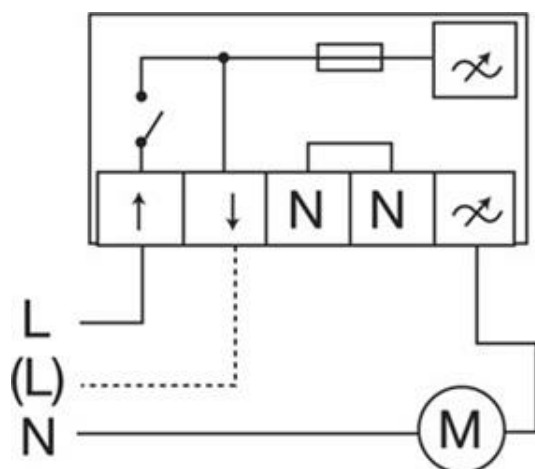
Technical parameters

Voltage	230 V
Phase	1 ~
Frequency	50-60 Hz
Current	0,1-2 A
Recommended fuse	2,5 A
Enclosure class	54
Width	82 mm
Height	82 mm
Depth	65 mm
Weight	0,25 kg

Wiring

Line L state connection with cutting function on the speed control

Broken line (L) state connection without cutting function



Documentation

Name: **REE 2 SPEED CONTROL** | Item no.: **5316**

Document type: **Product card** | Document date: **2019-06-25** | Generated by: **Online catalogue**

Get In Touch

Call: [0845 6880112](tel:08456880112)
 Email: info@adremit.co.uk

Our Address

Puravent, Adremit Limited, Unit 5a, Commercial Yard,
 Settle, North Yorkshire, BD24 9RH



Specification text

Name: **REE 2 SPEED CONTROL** | Item no.: **5316**

2 / 2

Document type: **Product card** | Document date: **2019-06-25** | Generated by: **Online catalogue**

Get In Touch



Call: [0845 6880112](tel:08456880112)



Email: info@adremit.co.uk

Our Address

Puravent, Adremit Limited, Unit 5a, Commercial Yard,
Settle, North Yorkshire, BD24 9RH