



## REE 050S0 POWER UNIT 0-10V

Item no. 77268

Document type: **Product card**  
 Document date: **2019-06-25**  
 Generated by: **Systemair Online Catalogue**

### Description

#### Thyristor power unit REE

Stepless phase cutting controller for 1~230V/50Hz motors. It has a connection for an external control signal 0-10V or 4-20mA. The control signal can be chosen by an internal switch. Internal potentiometer to set a min. speed. On/Off Switch with control lamp. White plastic casing IP54. Several motors can be connected in parallel as long as the total current does not exceed the current range. Fans to be used with this controller require a build-in overheating protection and should be designed for thyristor speed control. It is equipped with Modbus RTU communication and provides a wide range of functionalities. For indoor use only.

**NOTE: phase cutting controller can make engine noise!**



### Technical parameters

|                                      |                      |     |
|--------------------------------------|----------------------|-----|
| Voltage                              | 230                  | V   |
| Frequency                            | 50                   | Hz  |
| Phase                                | 1                    | ~   |
| Control signal                       | 0...10VDC / 4...10mA |     |
| Permitted range for ambient humidity | 0-80                 | %RH |
| Enclosure class                      | IP54                 |     |
| Weight                               | 1                    | kg  |

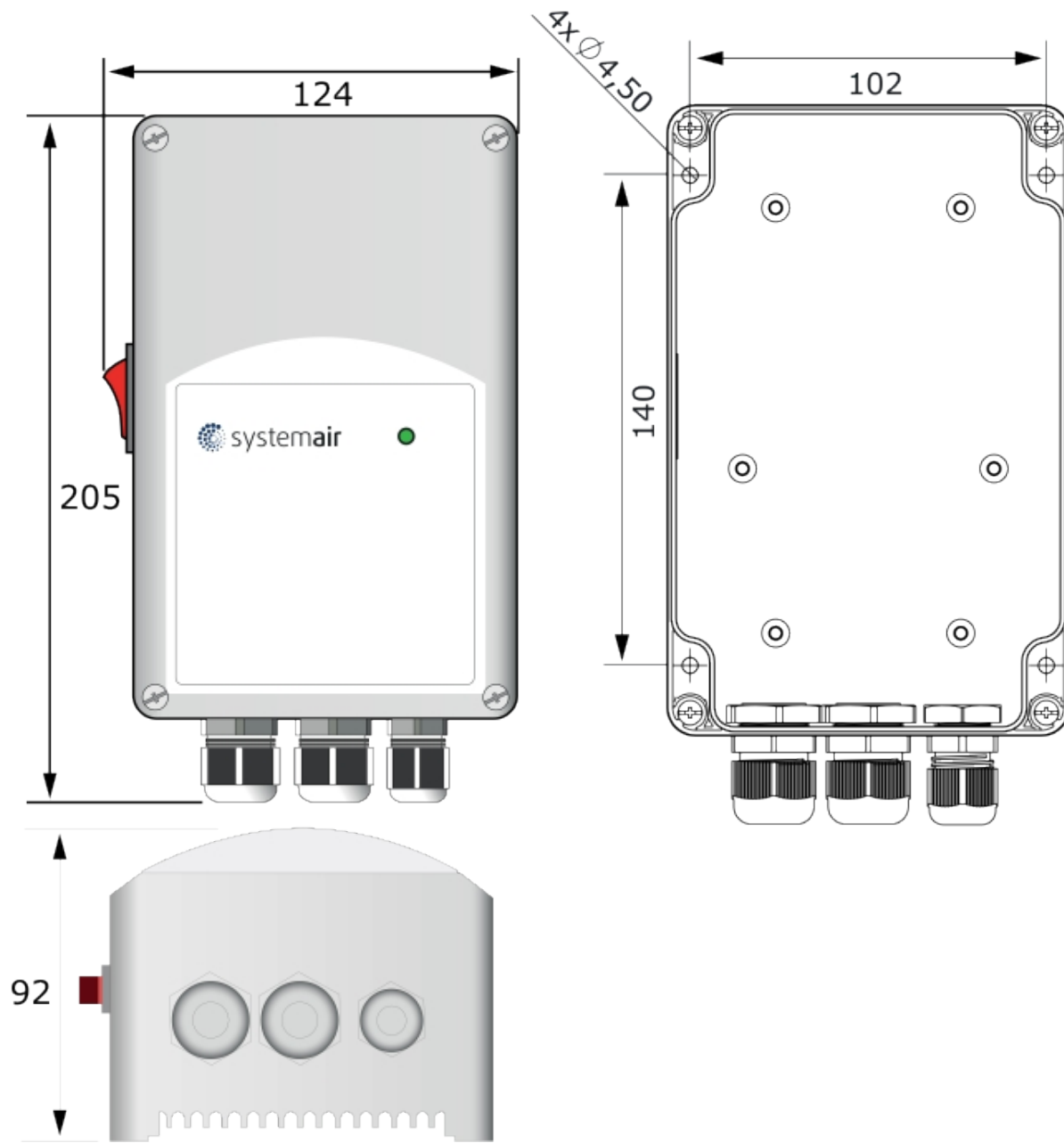
#### Get In Touch

Call: [0845 6880112](tel:08456880112)  
 Email: [info@adremit.co.uk](mailto:info@adremit.co.uk)

#### Our Address

Puravent, Adremit Limited, Unit 5a, Commercial Yard,  
 Settle, North Yorkshire, BD24 9RH

## Dimensions





Name: **REE 050S0 POWER UNIT 0-10V** | Item no.: **77268**

Document type: **Product card** | Document date: **2019-06-25** | Generated by: **Online catalogue**

2 / 4

### Get In Touch

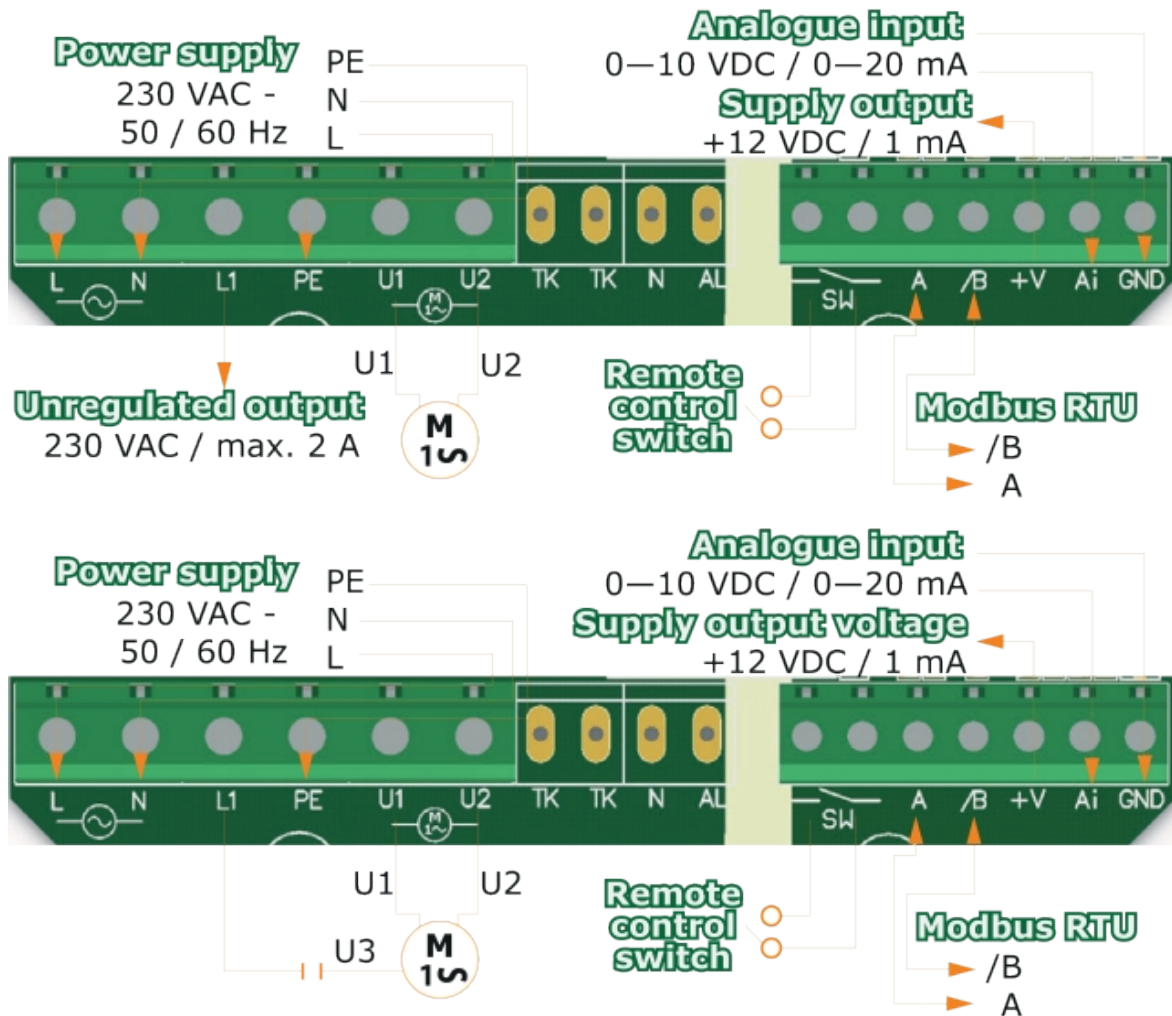
 Call: [0845 6880112](tel:08456880112)  
 Email: [info@adremit.co.uk](mailto:info@adremit.co.uk)

### Our Address

Puravent, Adremit Limited, Unit 5a, Commercial Yard,  
Settle, North Yorkshire, BD24 9RH

## Accessories

### Wiring



|             |  |
|-------------|--|
| L           | Supply voltage 230 VAC $\pm$ 10 % - 50 / 60 Hz   |
| N           | Neutral  |
| PE          | Earth terminal   |
| L1          | Unregulated output (230 VAC / max. 2 A)  |
| U1, U2      | Regulated output to the motor  |
| SW          | Remote / timer switch  |
| A           | Modbus RTU (RS485) signal A  |
| /B          | Modbus RTU (RS485) signal /B   |
| +V          | Supply output +12 VDC / 1 mA   |
| Ai          | Analogue input<br>(0-10 VDC / 0-20 mA / 10-0 VDC / 20-0 mA)<br>Logic input (Timer functionality)<br>(min. 2,5 VDC and > 30 ms) |
| GND         | Ground   |
| Connections | Cable cross section: max. 2,5 mm <sup>2</sup><br>Cable gland clamping range: 3–6 mm / 5–10 mm                                  |

Name: **REE 050S0 POWER UNIT 0-10V** | Item no.: **77268**

Document type: **Product card** | Document date: **2019-06-25** | Generated by: **Online catalogue**

3 / 4

#### Get In Touch

Call: [0845 6880112](tel:08456880112)  
Email: [info@adremit.co.uk](mailto:info@adremit.co.uk)

#### Our Address

Puravent, Adremit Limited, Unit 5a, Commercial Yard,  
Settle, North Yorkshire, BD24 9RH



## Specification text

---

Name: **REE 050S0 POWER UNIT 0-10V** | Item no.: **77268**

4 / 4

Document type: **Product card** | Document date: **2019-06-25** | Generated by: **Online catalogue**

### Get In Touch



Call: [0845 6880112](tel:08456880112)



Email: [info@adremit.co.uk](mailto:info@adremit.co.uk)

### Our Address

Puravent, Adremit Limited, Unit 5a, Commercial Yard,  
Settle, North Yorkshire, BD24 9RH