



RB 70-40/27-2 400V/3 DUCT HEAT

Item no. 9645

Document type: **Product card**

Document date: **2019-06-25**

Generated by: **Systemair Online Catalogue**

Description

Duct heater for rectangular ducts. Manufactured from Aluzinc-coated sheet steel with a heating element in stainless steel. The heater has integral overheating protection with a manual reset function. Suitable for control by room thermostat or TTC. The minimum air volume is based on a minimum air velocity of 1.5 m/s. These duct heaters are designed for a maximum output air temperature of 40°C.



Technical parameters

| | | |
|--------------|--------|------|
| Power | 27 | kW |
| Voltage | 400 3~ | V |
| Current | 39 | A |
| Min. airflow | 0,444 | m³/s |
| Weight | 21,1 | kg |

Accessories

Electric accessories

- [TG-K330 Duct Sensor 0-30°C \(5160\)](#)
- [TG-R430 Room sensor 0-30°C \(5162\)](#)
- [TG-R530 Room sensor 0-30°C \(5163\)](#)
- [TG-R630 External sensor \(5164\)](#)
- [TTC-2000 Temp. control 25A \(5171\)](#)
- [TT-S1\(TT-SLAV\) exp. module \(5173\)](#)
- [DTV500A \(96807\)](#)

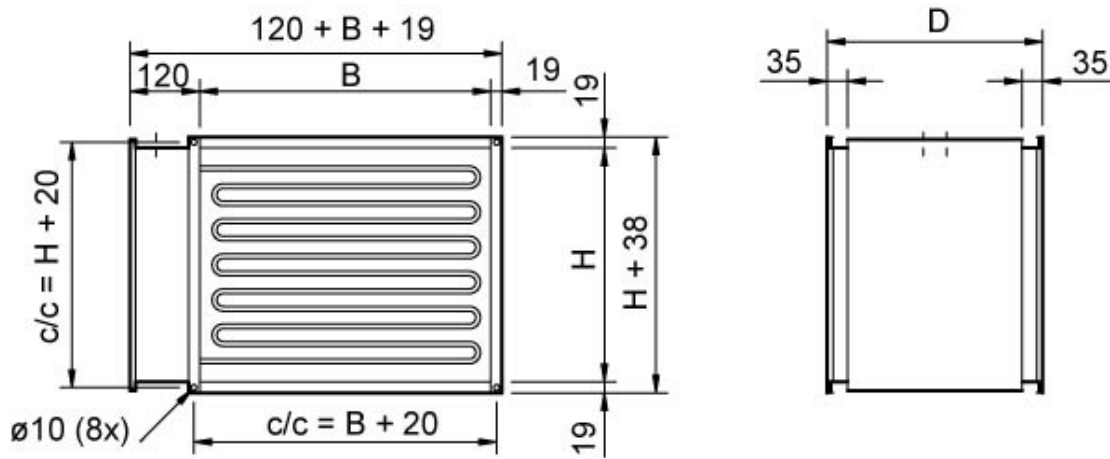
Get In Touch

 **Call:** [0845 6880112](tel:08456880112)
 **Email:** info@adremit.co.uk

Our Address

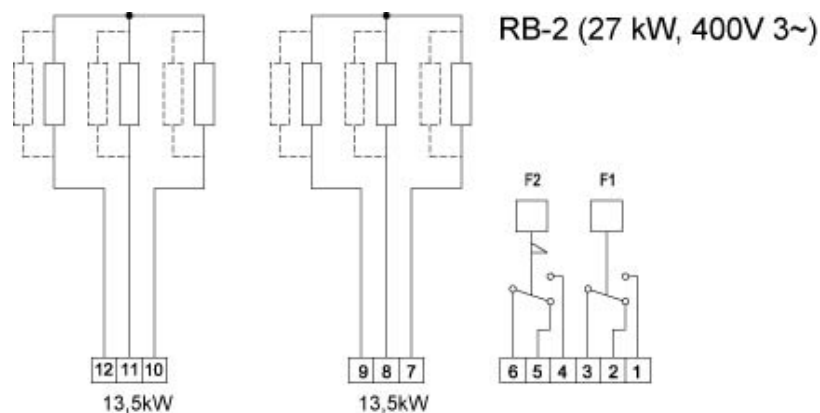
Puravent, Adremit Limited, Unit 5a, Commercial Yard,
 Settle, North Yorkshire, BD24 9RH

Dimensions



| | B | H | D |
|----------------|------|-----|-----|
| RB 40-20/9-1 | 400 | 200 | 370 |
| RB 40-20/15-1 | 400 | 200 | 500 |
| RB 50-25/15-1 | 500 | 250 | 370 |
| RB 50-25/22-2 | 500 | 250 | 500 |
| RB 50-30/15-1 | 500 | 300 | 370 |
| RB 50-30/27-2 | 500 | 300 | 500 |
| RB 60-30/22-2 | 600 | 300 | 500 |
| RB 60-30/34-2 | 600 | 300 | 500 |
| RB 60-35/27-2 | 600 | 350 | 370 |
| RB 60-35/45-3 | 600 | 350 | 500 |
| RB 70-40/27-2 | 700 | 400 | 370 |
| RB 70-40/45-3 | 700 | 400 | 370 |
| RB 80-50/45-3 | 800 | 500 | 370 |
| RB 80-50/68-4 | 800 | 500 | 370 |
| RB 80-50/68-4 | 1000 | 500 | 370 |
| RB 100-50/68-4 | 1000 | 500 | 370 |
| RB 100-50/80-5 | 1000 | 500 | 370 |

Wiring



- F1 = Overheating protection, automatic (60°C)
- F2 = Overheating protection, manual (120°C)

Documentation

- RB RBM RBK IMO.pdf (102,09kB)
- Conformity decl. RB RBM RBK 021024.pdf (32,12kB)

Get In Touch

- Call: [0845 6880112](tel:08456880112)
- Email: info@adremit.co.uk

Our Address

Puravent, Adremit Limited, Unit 5a, Commercial Yard,
Settle, North Yorkshire, BD24 9RH

Heating capacity

Name: **RB 70-40/27-2 400V/3 DUCT HEAT** | Item no.: **9645**

Document type: **Product card** | Document date: **2019-06-25** | Generated by: **Online catalogue**

3 / 3

Get In Touch



Call: [0845 6880112](tel:08456880112)



Email: info@adremit.co.uk

Our Address

Puravent, Adremit Limited, Unit 5a, Commercial Yard,
Settle, North Yorkshire, BD24 9RH