



RB 100-50/80-5 400V/3 DUCT HEA

Item no. 9661

Document type: **Product card**

Document date: **2019-06-25**

Generated by: **Systemair Online Catalogue**

Description

Duct heater for rectangular ducts. Manufactured from Aluzinc-coated sheet steel with a heating element in stainless steel. The heater has integral overheating protection with a manual reset function. Suitable for control by room thermostat or TTC. The minimum air volume is based on a minimum air velocity of 1.5 m/s. These duct heaters are designed for a maximum output air temperature of 40°C.



Technical parameters

Power	80	kW
Voltage	400 3~	V
Current	116	A
Min. airflow	0,778	m³/s
Weight	44,8	kg

Accessories

Electric accessories

- [TG-K330 Duct Sensor 0-30°C \(5160\)](#)
- [TG-R430 Room sensor 0-30°C \(5162\)](#)
- [TG-R530 Room sensor 0-30°C \(5163\)](#)
- [TG-R630 External sensor \(5164\)](#)
- [TTC-2000 Temp. control 25A \(5171\)](#)
- [TT-S4/D Step switching unit \(9154\)](#)
- [DTV500A \(96807\)](#)

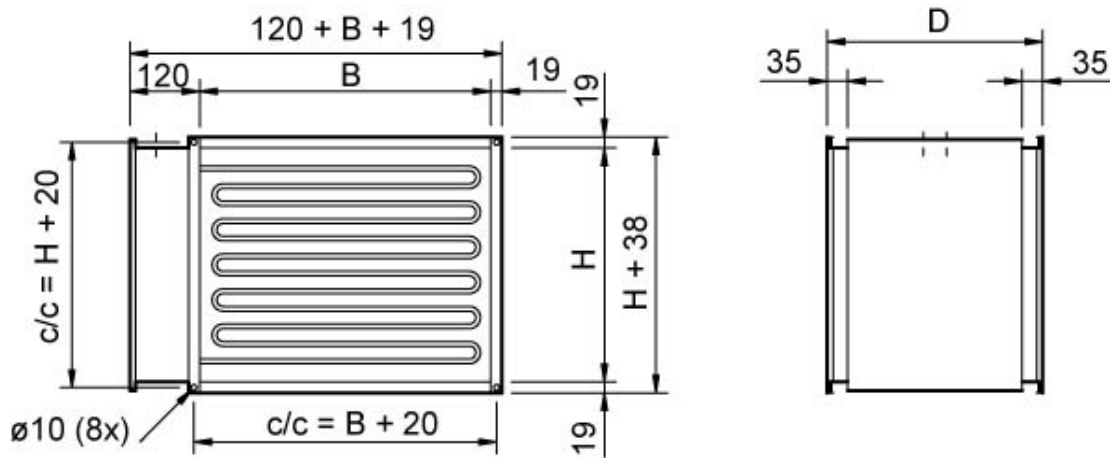
Get In Touch

 **Call:** [0845 6880112](tel:08456880112)
 **Email:** info@adremit.co.uk

Our Address

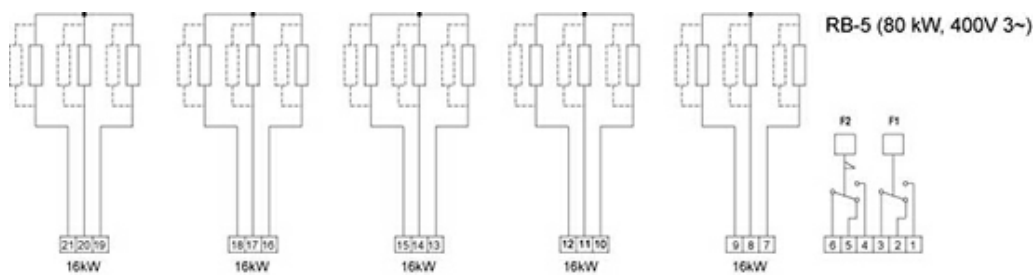
Puravent, Adremit Limited, Unit 5a, Commercial Yard,
 Settle, North Yorkshire, BD24 9RH

Dimensions



	B	H	D
RB 40-20/9-1	400	200	370
RB 40-20/15-1	400	200	500
RB 50-25/15-1	500	250	370
RB 50-25/22-2	500	250	500
RB 50-30/15-1	500	300	370
RB 50-30/27-2	500	300	500
RB 60-30/22-2	600	300	500
RB 60-30/34-2	600	300	500
RB 60-35/27-2	600	350	370
RB 60-35/45-3	600	350	500
RB 70-40/27-2	700	400	370
RB 70-40/45-3	700	400	370
RB 80-50/45-3	800	500	370
RB 80-50/68-4	800	500	370
RB 80-50/68-4	1000	500	370
RB 100-50/68-4	1000	500	370
RB 100-50/80-5	1000	500	370

Wiring



- F1 = Overheating protection, automatic (60°C)
- F2 = Overheating protection, manual (120°C)

Documentation

- RB RBM RBK IMO.pdf (102,09kB)
- Conformity decl. RB RBM RBK 021024.pdf (32,12kB)

Heating capacity

Name: **RB 100-50/80-5 400V/3 DUCT HEA** | Item no.: **9661**

Document type: **Product card** | Document date: **2019-06-25** | Generated by: **Online catalogue**

2 / 2

Get In Touch

- Call: [0845 6880112](tel:08456880112)
- Email: info@adremit.co.uk

Our Address

Puravent, Adremit Limited, Unit 5a, Commercial Yard,
Settle, North Yorkshire, BD24 9RH