



## RBK 66/39 400V/3 DUCT HEATER

Item no. 5449

Document type: **Product card**  
 Document date: **2019-06-25**  
 Generated by: **Systemair Online Catalogue**

### Description

Duct heater for square ducts. Casing of alu-zinc coated sheet metal with heating elements in stainless steel. The heater has built-in overheating protection with manual reset. Heat control by means of a controller TTC together with a TT-Slave (TT-S1) or TTC together with a TT-M Slave. Min.airflow is based on a min.air velocity of 1,5 m/s. The duct heater is dimensioned for a maximum outgoing temp. of 40°C.



### Technical parameters

Power	39	kW
Voltage	400	V
Phase	3	~
Current	56	A
Min. airflow	0,458	m <sup>3</sup> /s

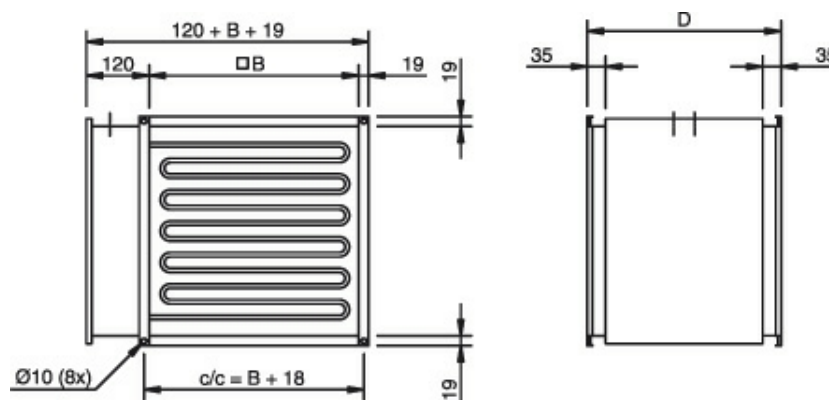
### Accessories

#### Electric accessories

- [TG-K330 Duct Sensor 0-30°C \(5160\)](#)
- [TTC-2000 Temp. control 25A \(5171\)](#)
- [DTV500A \(96807\)](#)

### Dimensions

	□ B	D
RBK 45	450	370
RBK 50	500	370
RBK 55	550	370
RBK 65	660	370



#### Get In Touch

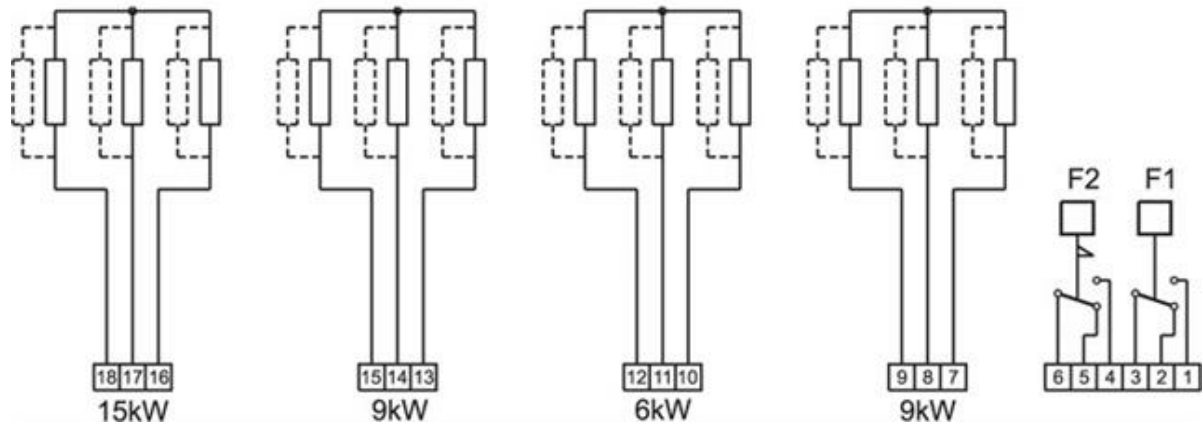
Call: [0845 6880112](tel:08456880112)  
 Email: [info@adremit.co.uk](mailto:info@adremit.co.uk)

#### Our Address

Puravent, Adremit Limited, Unit 5a, Commercial Yard,  
 Settle, North Yorkshire, BD24 9RH


## Wiring

### RBK-4 (39 kW 400V 3~)



## Documentation

 [RB RBM RBK IMO.pdf \(102,09kB\)](#)

 [Conformity decl. RB RBM RBK 021024.pdf \(32,12kB\)](#)

## Heating capacity



## Specification text

Name: **RBK 66/39 400V/3 DUCT HEATER** | Item no.: **5449**

Document type: **Product card** | Document date: **2019-06-25** | Generated by: **Online catalogue**

2 / 2

## Get In Touch

 Call: [0845 6880112](tel:08456880112)  
 Email: [info@adremit.co.uk](mailto:info@adremit.co.uk)

## Our Address

Puravent, Adremit Limited, Unit 5a, Commercial Yard,  
Settle, North Yorkshire, BD24 9RH