



R-DK4 KT TRANSFORMER (302568)

Item no. 6051

Document type: **Product card**

Document date: **2019-06-25**

Generated by: **Systemair Online Catalogue**

Description

Manual five-step transformer (with motor protection) for RVK 315Y4, KTEX, DKEX and DVEX fans.

A three-phase transformer which controls the fan speed by altering the supply voltage in five fixed steps. The steps are adjusted manually, using the control knob on the front of the unit. An integral motor protection device is included which cuts the supply voltage to the fan if the thermistor motor protection triggers. The unit is reset by turning the knob to "0" for 1 minute. Input terminals for room thermostat RT cut supply voltage to the fan when the circuit is broken.

NB. The transformer can not be placed in the EX zon.



Technical parameters

Default group	
Voltage	400 V
Phase	3 ~
Frequency	50/60 Hz
Current	4 A
Enclosure class	IP21
Permitted max. ambient temperature	40 °C
Dimension	
Weight	11,2 kg

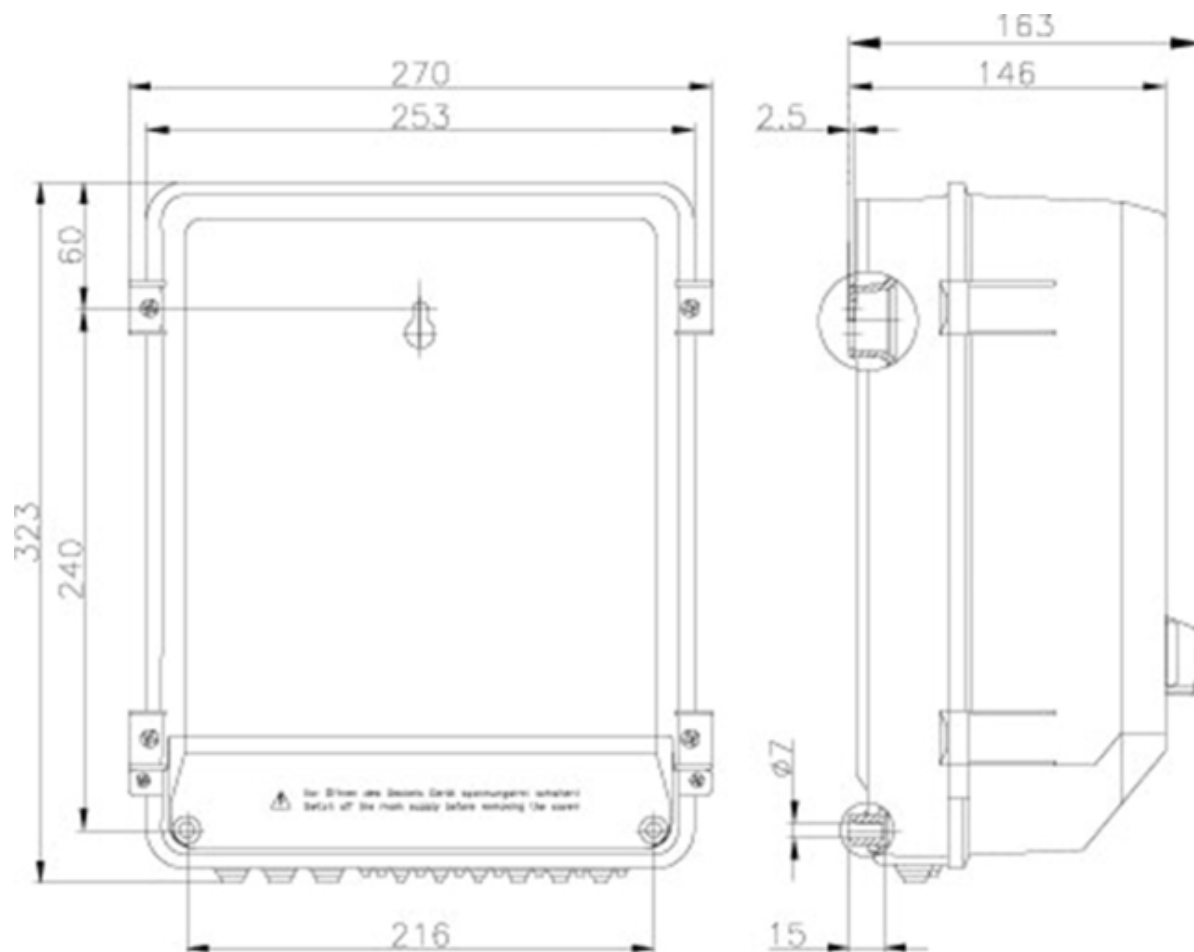
Get In Touch

Call: [0845 6880112](tel:08456880112)
 Email: info@adremit.co.uk

Our Address

Puravent, Adremit Limited, Unit 5a, Commercial Yard,
 Settle, North Yorkshire, BD24 9RH


Dimensions





W x H x D
270 323 163 [mm]

Accessories

Documentation

 R-DK4KT_IMO_GB_DE_FR_SE.pdf (144,21kB)

 EU Declaration of Conformity ZA120_GB.pdf (166,93kB)

 Data_sheet_3~_R-DKKTG[1].pdf (78,68kB)

Get In Touch



Call: [0845 6880112](tel:08456880112)

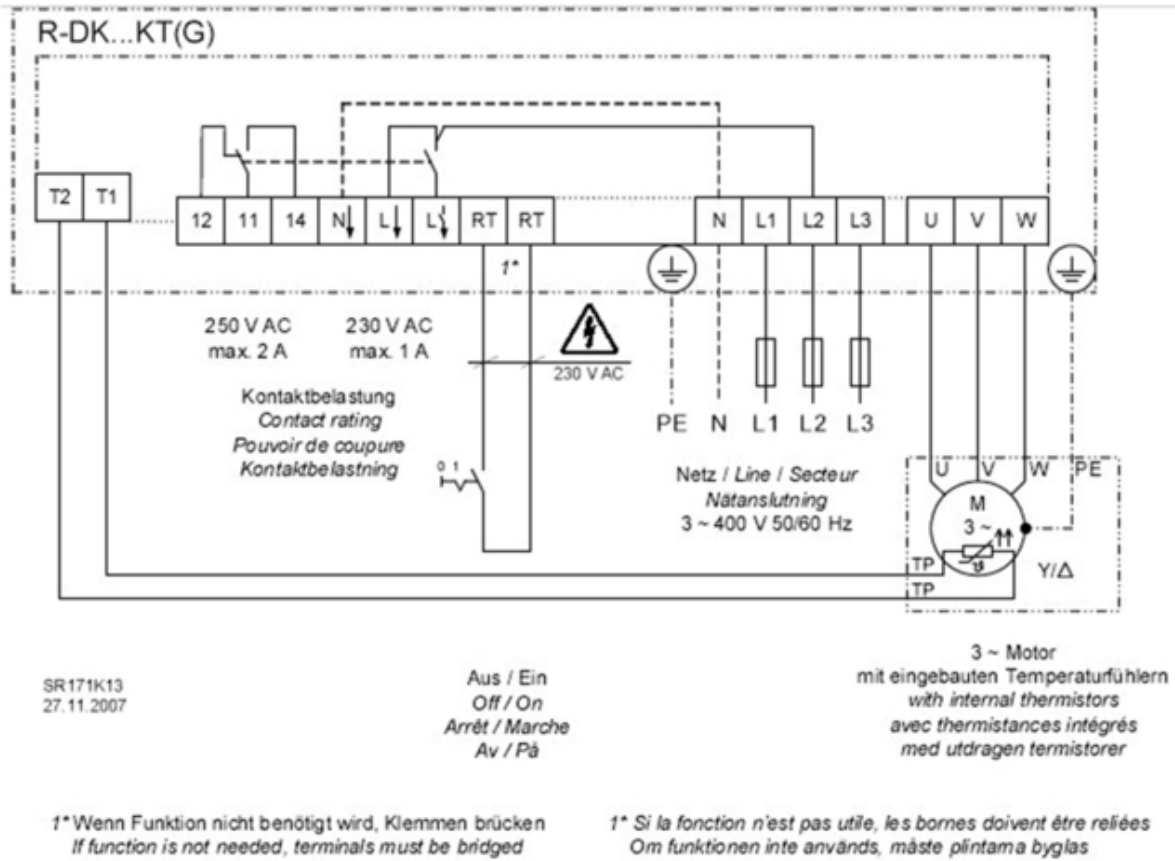


Email: info@adremit.co.uk

Our Address

Puravent, Adremit Limited, Unit 5a, Commercial Yard,
Settle, North Yorkshire, BD24 9RH

Wiring



Specification text

Name: **R-DK4 KT TRANSFORMER (302568)** | Item no.: **6051**

3 / 3

Document type: **Product card** | Document date: **2019-06-25** | Generated by: **Online catalogue**

Get In Touch



Call: [0845 6880112](tel:08456880112)



Email: info@adremit.co.uk

Our Address

Puravent, Adremit Limited, Unit 5a, Commercial Yard,
Settle, North Yorkshire, BD24 9RH