

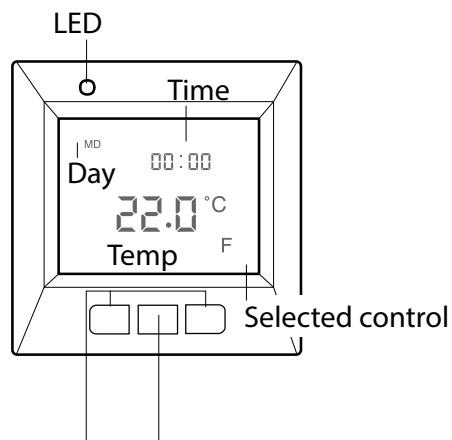
Quick guide TAP16R

Get started quickly and easily! Here you have a guide to the most important functions and settings, an introduction to the energy saving programs and an overview of the menu system.

Always read the full manual for complete product information.

Getting started

This is what the display looks like when you first start TAP16R.



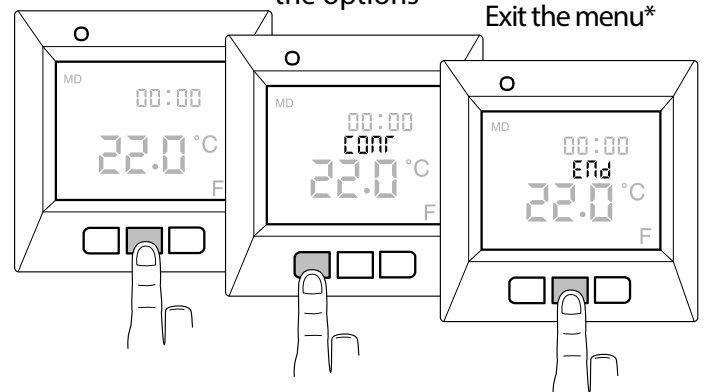
Arrow buttons [▲▼] Select button [●]

Using the menu

Start the menu

Navigate through the options

Exit the menu*

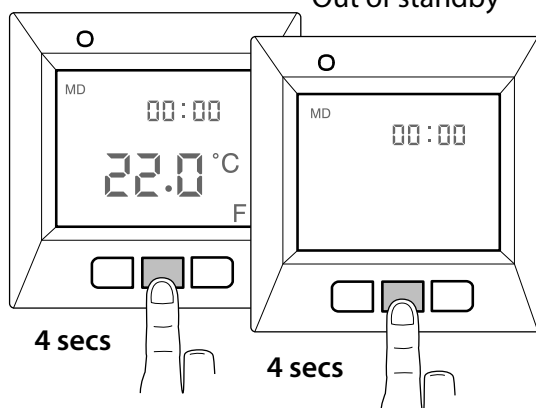


*Or wait 30 secs and exit automatically.

Turning off and on

To standby*

Out of standby



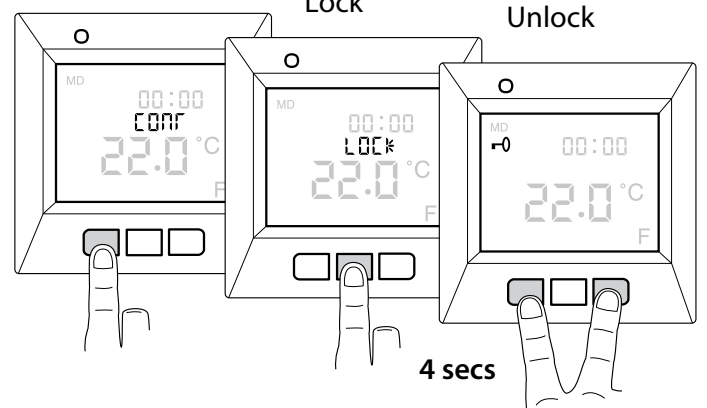
*The heat is not being regulated. The clock is running and the programming is saved in the memory.

Locking the keypad

Navigate

Lock

Unlock



www.frico.se/en

Get In Touch

Call: 0845 6880112
Email: info@adremit.co.uk

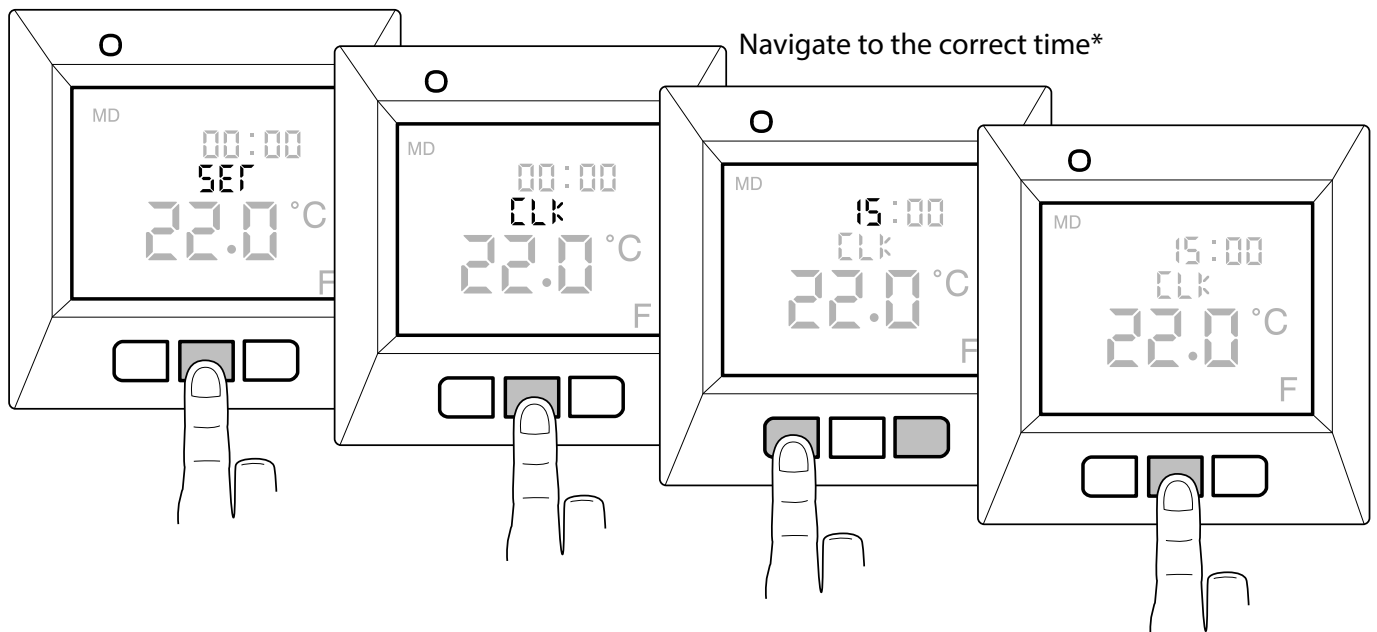
Our Address

Puravent, Adremit Limited, Unit 5a, Commercial Yard,
Settle, North Yorkshire, BD24 9RH

Basic settings

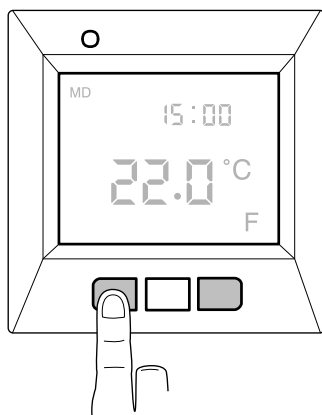
Time and date

To be able to use all the functions you need to set the time and date first.



*Repeat the last two steps to set minutes, day, month and year. The correct day of the week is set automatically.

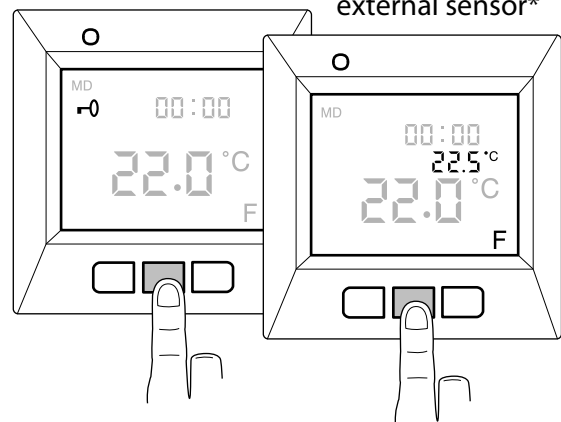
Desired temperature



Show actual temperature

Lock buttons first

Temperature, external sensor*



* If the thermostat is set to external sensor, otherwise temperature in the room (R).

TAP16R can control the temperature in three different ways: with the External sensor, Room sensor or the Room sensor and external sensor in combination. If the External sensor is connected when the thermostat is switched on for the first time, this function is selected automatically. The Room sensor cannot be selected when the external sensor is connected. For the Room sensor and external sensor in combination, the built-in sensor controls the room temperature and the external sensor works as a temperature limiter. Learn more about control functions and how to set them in the manual. You can always see the current temperature by following the description above.

Get In Touch


Call: 0845 6880112
Email: info@adremit.co.uk


Our Address


Puravent, Adremit Limited, Unit 5a, Commercial Yard,
Settle, North Yorkshire, BD24 9RH


Energy saving programs

Save energy cleverly and easily! With these programs the heating is adapted to your actual needs and the heat is turned down when it isn't needed. There are four program options:

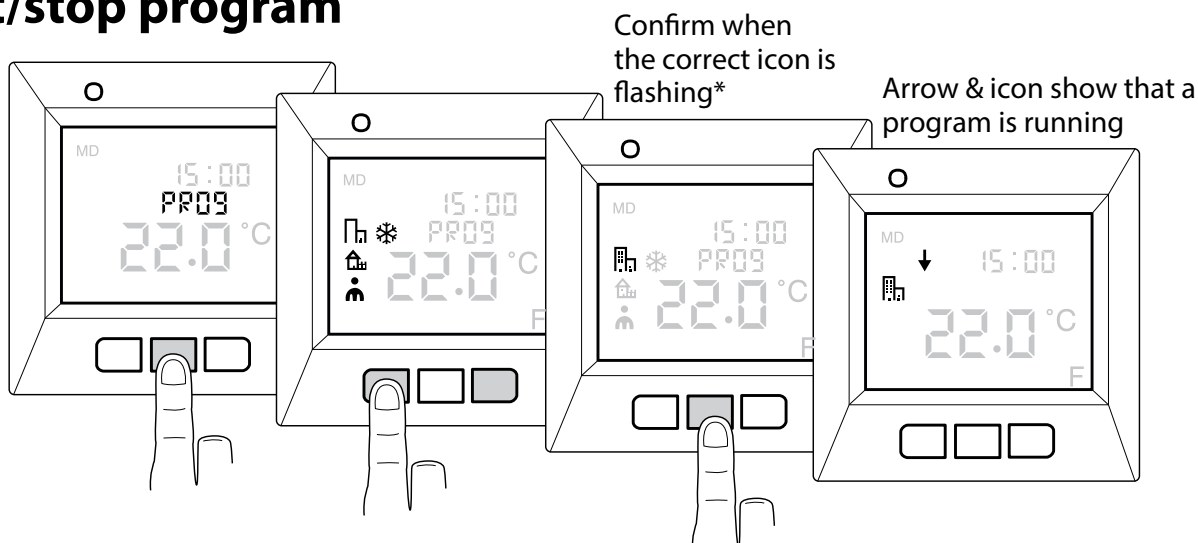
 Preset for office environments

 Preset for home environments

 Program your own personal settings

 Frost protection for premises which stand empty for long periods

Start/stop program



*Stop program: Confirm when no icon is flashing.

Program personal settings



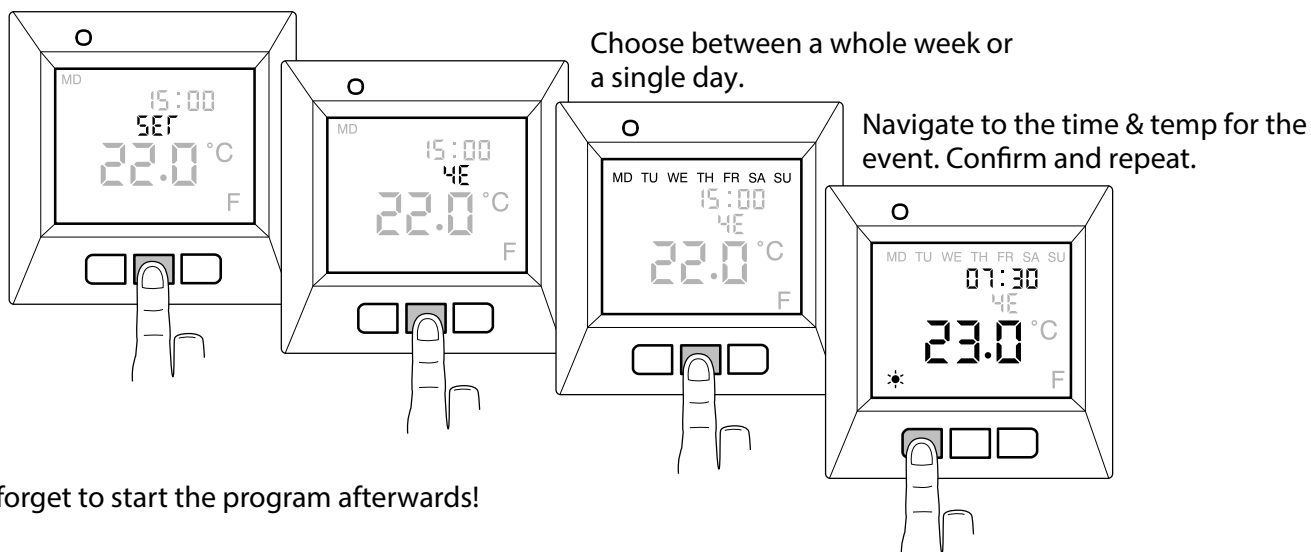
Tailor the heating to your own needs! You have the option of programming time and temperature for four events every day: *wakeup* ☀️ *out* 🏠➔ *home* 🏠← and *night* 🌙. An example:

The family wakes up nice and warm at 07:30. *Wakeup* ☀️ is programmed: 23 °C at 07:30.

They leave home and the heating can be turned down. *Out* 🏠➔ is programmed: 17 °C at 09:30.



The family return at 17:00 to a warm home. *Home* 🏠← is programmed: 21.5 °C at 17:00.

A cool climate is better at night for both the environment and your sleep. *Night* 🌙 is programmed: 18 °C at 22.30.



Don't forget to start the program afterwards!

Get In Touch





 Call: 0845 6880112
 Email: info@adremit.co.uk

Our Address

Puravent, Adremit Limited, Unit 5a, Commercial Yard,
Settle, North Yorkshire, BD24 9RH

Sitemap of the menu



This is how the menu in TAP16R is structured. Here you can quickly see where all the functions and settings are.

CONT Set the display's contrast	PROG Start/stop program	UTIL Show connected time in %
1-8	 Home program  Office program  Personal program  Frost protection program	24 HR 7 D 30 D 365 D
SET Various settings		
CLK Set time and date.	FP Turn off and turn on the frost protection program.	AF Turn off and turn on the adaptive function.
S Turn off and set to automatic change to DST	4E Set the personal program, time and temperature for up to four events per day.	RST Reverts to factory settings and deletes all personal settings.
RNF Set which sensor will control the temperature. F (external sensor) R (room sensor) R&F (room sensor and external sensor combined)	DISP Set how the time will be shown, 24- or 12-hour format.	END Exit the menu and return to basic mode.
OH Set the temperature for limitation by the external sensor for R&F (not normally used).	LED Set the strength of the display's backlight.	
LOCK Locks the keypad	END Exits the menu	

www.frico.se/en

TAP16R EN 170830

Get In Touch

 Call: 0845 6880112
 Email: info@adremit.co.uk

Our Address

Puravent, Adremit Limited, Unit 5a, Commercial Yard,
Settle, North Yorkshire, BD24 9RH