



P 233 A PRESSURE SENSOR

Item no. 5140

Document type: **Product card**

Document date: **2019-07-09**

Generated by: **Systemair Online Catalogue**

Description

Pressure sensor and switch Differential pressure sensor for guarding filters and fans. The selected switching pressure can be set on a dial inside the unit. The P 233 A is calibrated for vertical mounting



Documentation

Technical parameters

Pressure range	50-400 Pa
Media	clean air
Enclosure class	IP54
Diameter of connection	5,4 mm

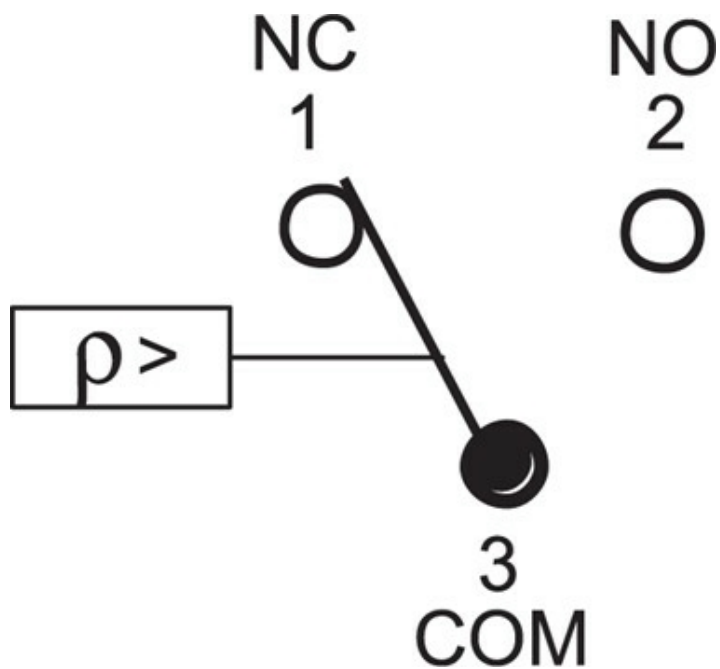
Get In Touch

 Call: [0845 6880112](tel:08456880112)
 Email: info@adremit.co.uk

Our Address

Puravent, Adremit Limited, Unit 5a, Commercial Yard,
Settle, North Yorkshire, BD24 9RH

Wiring



Switches from 1 to 2 when the pressure rises.



Specification text

Name: **P 233 A PRESSURE SENSOR** | Item no.: **5140**

Document type: **Product card** | Document date: **2019-07-09** | Generated by: **Online catalogue**

2 / 2

Get In Touch

 Call: [0845 6880112](tel:08456880112)
 Email: info@adremit.co.uk

Our Address

Puravent, Adremit Limited, Unit 5a, Commercial Yard,
Settle, North Yorkshire, BD24 9RH