



PXDM 6A INTERN DISPLAY

Item no. 18620

Document type: **Product card**
 Document date: **2019-07-02**
 Generated by: **Systemair Online Catalogue**

Description

Multipurpose controller for variable voltage 3~ fans

Stepless phase cutting controller for 3~400V/50/60 Hz motors with motor protection. It has a connection for a potentiometer or an external control signal 0...10V, 0...20mA or 4...20mA. External Setpoint or external manual operation is possible by 0 - 10 V (0 - 20 mA, 4 - 20 mA) signal at terminals "E2" and "GND". "E2" configuration in base setup.

Min. speed, max. speed and p-band settings via software/display. Digital input for on/off. Temperature/Pressure control possible. Several motors can be connected in parallel as long as the total current does not exceed the current range. Fans to be used with this controller should be designed for thyristor speed control.

NOTE: phase cutting controller can generate electrical noise!



Technical parameters

Default group		
Voltage range	208-415	V
Frequency	50/60	Hz
Phase	3	~
Current	6	A
Min. motor current	0,2	A
Regulated output voltage approx.	0	%
Max. power dissipation	30	W
Control signal	0...10V/4...20mA	
Permitted max. ambient temperature	40	°C
Enclosure class	IP54	
Permitted max. ambient humidity [%RH]	85	%RH
Other		
Weight	2,9	kg

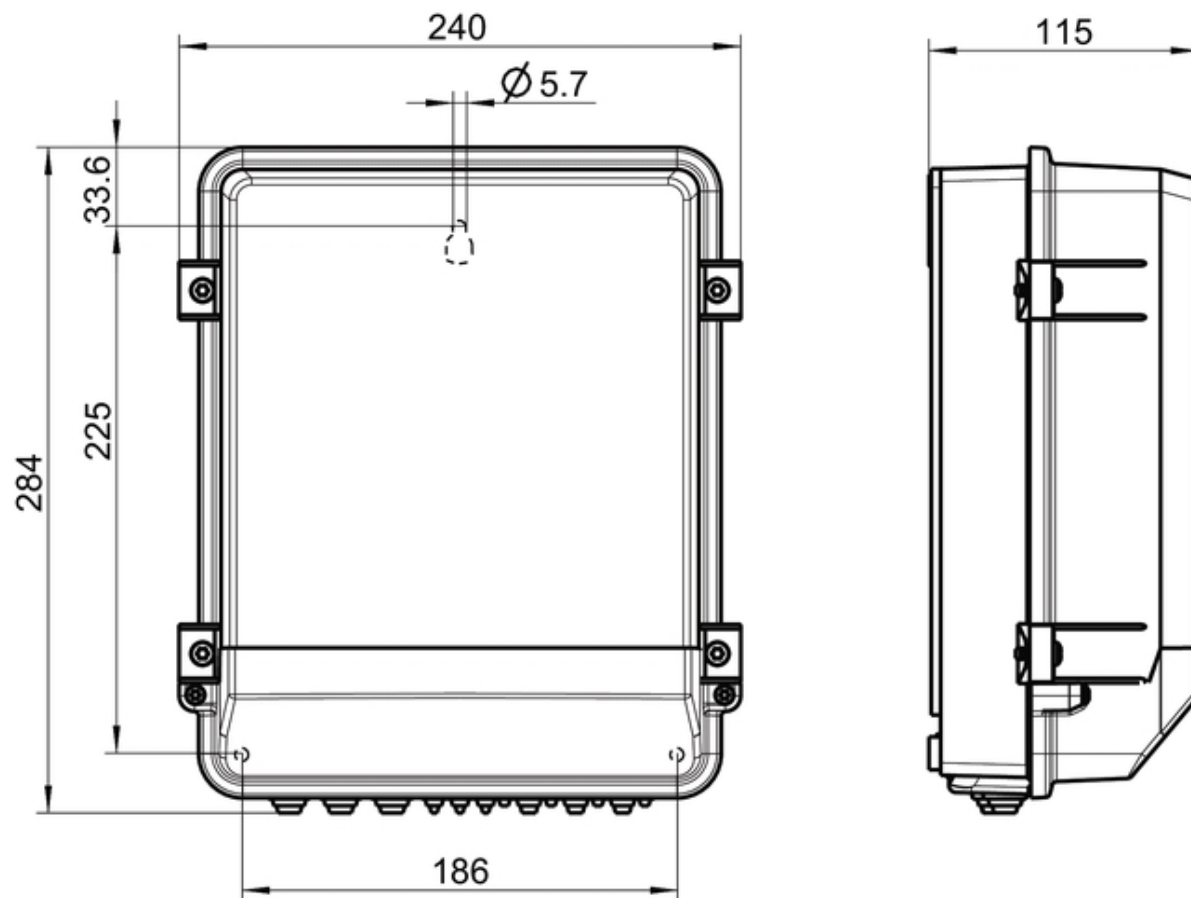
Get In Touch

Call: [0845 6880112](tel:08456880112)
 Email: info@adremit.co.uk

Our Address

Puravent, Adremit Limited, Unit 5a, Commercial Yard,
 Settle, North Yorkshire, BD24 9RH

Dimensions



Accessories

Electric accessories


[TFR Temp. Sensor \(5158\)](#)

[DSG 200 Sensor 0-200Pa \(78618\)](#)


[DSG 1000 Sensor 0-1000Pa \(78662\)](#)

Documentation

 [PXDM6A_10A_EN.pdf \(2,72MB\)](#)

 [EU_declaration_of_conformity_CXE_AVC Modbus, PXDM, RTRD_RTRDU, RETP, REPT.pdf \(35,45kB\)](#)

Wiring

 [PXDM6...10_wir_EN_DE.pdf \(56,25kB\)](#)

Specification text

Name: **PXDM 6A INTERN DISPLAY** | Item no.: **18620**

Document type: **Product card** | Document date: **2019-07-02** | Generated by: **Online catalogue**

2 / 2

Get In Touch



Call: [0845 6880112](tel:08456880112)



Email: info@adremi.co.uk

Our Address

Puravent, Adremi Limited, Unit 5a, Commercial Yard,
Settle, North Yorkshire, BD24 9RH