



# PXDM 10A INTERN DISPLAY

Item no. 18621

Document type: **Product card**  
 Document date: **2019-07-02**  
 Generated by: **Systemair Online Catalogue**

## Description

### Multipurpose controller for variable voltage 3~ fans

Stepless phase cutting controller for 3~400V/50/60 Hz motors with motor protection. It has a connection for a potentiometer or an external control signal 0...10V, 0...20mA or 4...20mA. External Setpoint or external manual operation is possible by 0 - 10 V (0 - 20 mA, 4 - 20 mA) signal at terminals "E2" and "GND". "E2" configuration in base setup.

Min. speed, max. speed and p-band settings via software/display. Digital input for on/off. Temperature/Pressure control possible. Several motors can be connected in parallel as long as the total current does not exceed the current range. Fans to be used with this controller should be designed for thyristor speed control.

NOTE: phase cutting controller can generate electrical noise!



## Technical parameters

Classification	
Product type	Speed controls, electronic
Default group	
Voltage range	208-415 V
Frequency	50/60 Hz
Phase	3 ~
Current	10 A
Min. motor current	0,5 A
Regulated output voltage approx.	0 %
Max. power dissipation	50 W
Control signal	0...10V/4...20mA
Permitted max. ambient temperature	40 °C
Enclosure class	IP54
Permitted max. ambient humidity [%RH]	85 %RH
Other	
Weight	3,4 kg

### Get In Touch

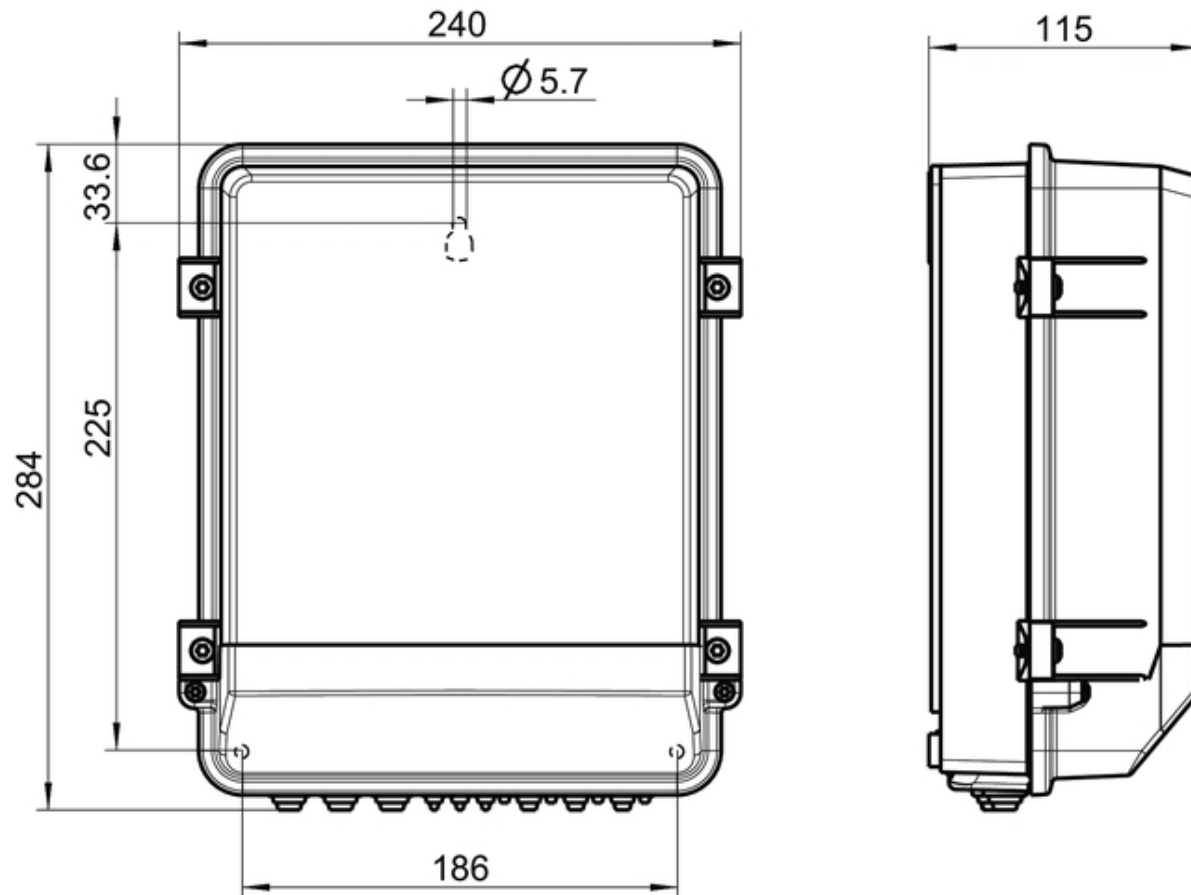
Call: [0845 6880112](tel:08456880112)  
 Email: [info@adremit.co.uk](mailto:info@adremit.co.uk)

### Our Address

Puravent, Adremit Limited, Unit 5a, Commercial Yard, Settle, North Yorkshire, BD24 9RH



## Dimensions




## Accessories


### Electric accessories

[DSG 200 Sensor 0-200Pa \(78618\)](#)


[DSG 1000 Sensor 0-1000Pa \(78662\)](#)

## Documentation

 [PXDM6A\\_10A\\_EN.pdf \(2,72MB\)](#)

 [EU\\_declaration\\_of\\_conformity\\_CXE\\_AVC Modbus, PXDM, RTRD\\_RTRDU, RETP, REPT.pdf \(35,45kB\)](#)

## Wiring

 [PXDM6...10\\_wir\\_EN\\_DE.pdf \(56,25kB\)](#)

## Specification text

Name: **PXDM 10A INTERN DISPLAY** | Item no.: **18621**

Document type: **Product card** | Document date: **2019-07-02** | Generated by: **Online catalogue**

2 / 2

## Get In Touch



Call: [0845 6880112](tel:08456880112)



Email: [info@adremit.co.uk](mailto:info@adremit.co.uk)

## Our Address

Puravent, Adremit Limited, Unit 5a, Commercial Yard,  
Settle, North Yorkshire, BD24 9RH