



PRIO 400 EC

Item no. 87979



Description

Circular duct fan

- Compact design
- High efficiency and low SFP in a real working point
- Low sound level
- Air tight design
- Potentiometer included, possible to speed control 0-100%
- Simple to install, mounting brackets included
- Integrated motor protection

The prio fans is designed for installation in ducts. The casing is manufactured from sheet metal. The fans are delivered with a pre-wired potentiometer (0-10V) that allows you to easily find the desired working point.

Outdoor mounting and wet room applications are possible due to the fans air tight casing and the IP 55 rated terminal box.

Motor protection is integrated in the electronics of the motor.

The FK mounting clamp (accessory) facilitates easy installation and removal, and prevents the transfer of vibration to the duct.



Technical parameters

Nominal data		
Voltage	230	V
Frequency	50/60	Hz
Phase	1	~
Input power (P1)	748	W
Current	3,26	A
Max. airflow	1,75	m³/s
R.p.m.	1767	r.p.m.
Weight	13,4	kg
Temperature data		
Max. temperature of transported air	55	°C
Max. temperature of transported air when speed-controlled	55	°C
Sound data		
Sound pressure level at 3 m	58,5	dB(A)
Protection / Classification		
Insulation class	F	
Enclosure class, motor	IP44	

Get In Touch

Call: [0845 6880112](tel:08456880112)
 Email: info@adremit.co.uk

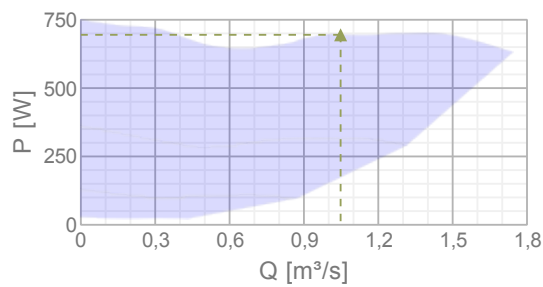
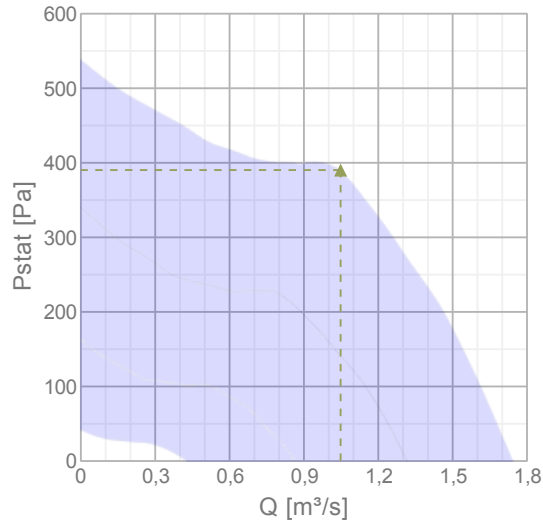
Our Address

Puravent, Adremit Limited, Unit 5a, Commercial Yard,
 Settle, North Yorkshire, BD24 9RH



Diagrams

Diagrams



Max efficiency

Hydraulic data										
▲ Working air flow										1,05 m ³ /s
▲ Working static pressure										390 Pa
▲ Power										695 W
Speed										1916 r.p.m.
Current										3,01 A
SFP										0,663 W/(l/s)
Voltage										230 V
Sound power level		63	125	250	500	1k	2k	4k	8k	Tot
Inlet	dB(A)	53	75	74	78	79	76	70	61	84
Outlet	dB(A)	69	73	83	81	81	76	69	60	87
Surrounding	dB(A)	29	45	60	62	58	55	52	35	65

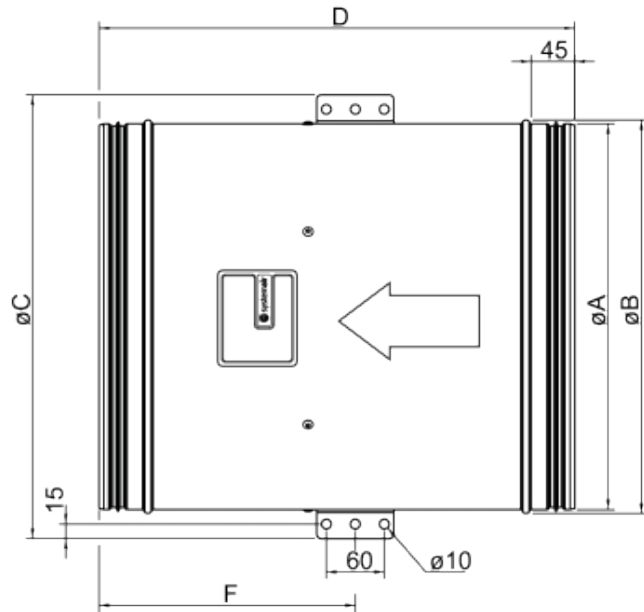
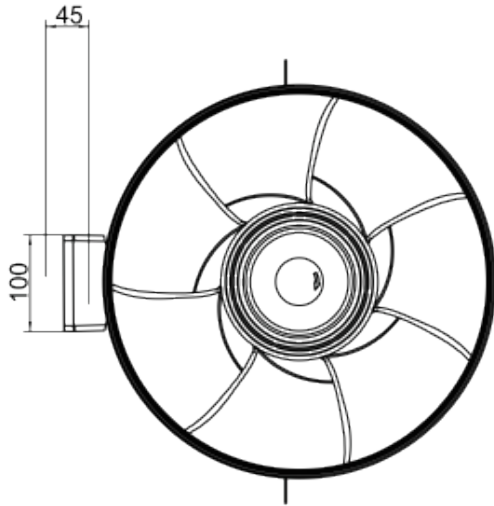
Get In Touch

Call: [0845 6880112](tel:08456880112)Email: info@adremit.co.uk

Our Address

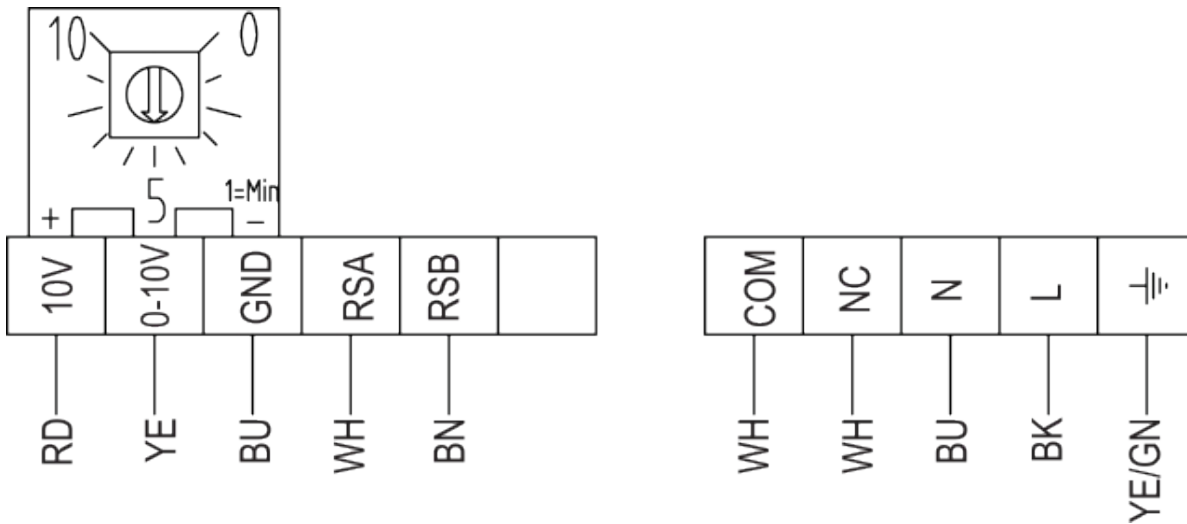
Puravent, Adremit Limited, Unit 5a, Commercial Yard, Settle, North Yorkshire, BD24 9RH

Dimensions





	øA	øB	øC	D	F
prio 315 EC	314	322	375	407	205
prio 400 AC/EC	399	407	459	493	266

Wiring



RD	Red
YE	Yellow
BU	Blue
WH	White
GN	Green
BN	Brown
BK	Black

Get In Touch

 **Call:** [0845 6880112](tel:08456880112)
 **Email:** info@adremit.co.uk

Our Address

Puravent, Adremit Limited, Unit 5a, Commercial Yard,
Settle, North Yorkshire, BD24 9RH

Accessories


Electric accessories


[RT 0-30 Room Thermostat \(5151\)](#)
[CO2RT-R-D Transmitter \(6993\)](#)
[Presence detector/IR24-P \(6995\)](#)
[MTV-1/010 Controller 0..10V+ \(30650\)](#)
[DMD-C Pressure controller \(15793\)](#)
[MTP 10, 10K, Speed control \(32731\)](#)
[EC-Vent Room Unit \(3018\)](#)
[EC-Vent control board \(3115\)](#)
[MTP 20, on/off, 3-step \(310220\)](#)
[EC-Basic-H humidity \(24807\)](#)
[EC-Basic-T temperature \(24805\)](#)
[EC-Basic-U universal 0-10V \(24806\)](#)
[EC-Basic-CO2 and temperature \(24808\)](#)
[EC-Selector \(9908\)](#)
[CXE/AVC Modbus \(37256\)](#)
[S-5EC/FRQ \(76738\)](#)
[PCA 1000D2 Pressure controller \(76739\)](#)

Accessories

[CB 400-9,0 400V/3 Duct heater \(5392\)](#)
[CB 400-12,0 400V/3 Duct heater \(5393\)](#)
[CBM 400-9,0 400V/3 Duct heater \(5487\)](#)
[VBF 400 Water heating battery \(1736\)](#)
[CWK 400-3-2,5 Duct cooler,circ \(30026\)](#)
[VBC 400-2 Water heating batt \(5462\)](#)
[LDC 400-900 Silencer \(5198\)](#)
[FFR 400 Filter cassette \(1783\)](#)
[FGR 400 Filter cassette \(1823\)](#)
[FK 400 Fast clamp \(1615\)](#)
[VKK-400 Back draft damper \(1629\)](#)
[SG 400 Protection guard \(5613\)](#)
[VK-40 Louvre shutter \(5643\)](#)
[RSK-400 Back draft dmp. \(9973\)](#)
[VBC 400-3 Water heating batt \(9845\)](#)
[CB 400-6,0 400V/2 Duct heater \(5391\)](#)

Documentation

 [prio_Operating_maintenance_145903_CE_A003_EN.pdf \(1,94MB\)](#)

 [MODBUS LITE V5.01 parameter specification.pdf \(726,08kB\)](#)

Get In Touch



Call: [0845 6880112](tel:08456880112)



Email: info@adremit.co.uk

Our Address

Puravent, Adremit Limited, Unit 5a, Commercial Yard,
Settle, North Yorkshire, BD24 9RH