



PRIO 400

Item no. 93269



Description

Circular duct fan

- Compact design
- High efficiency and low SFP in a real working point
- Low sound level
- Air tight design
- Speed-controllable
- Simple to install, mounting brackets included
- Integrated motor protection

The prio fans is designed for installation in ducts. The casing is manufactured from sheet metal. The fans can be speed-controlled via a stepless thyristor or a 5-step transformer. To protect the motor from overheating, the fans have integral thermal contact with leads for connection to a motor protection device. Outdoor mounting and wet room applications are possible due to the fans air tight casing and the IP 55 rated terminal box. The FK mounting clamp (accessory) facilitates easy installation and removal, and prevents the transfer of vibration to the duct.



Technical parameters

Nominal data		
Voltage	230	V
Frequency	50	Hz
Phase	1	~
Input power (P1)	332	W
Current	1,74	A
Max. airflow	1,23	m³/s
R.p.m.	1363	r.p.m.
Capacitor	6	µF
Weight	15,5	kg
Temperature data		
Max. temperature of transported air	50	°C
Max. temperature of transported air when speed-controlled	50	°C
Sound data		
Sound pressure level at 3 m	51	dB(A)
Protection / Classification		
Insulation class	F	
Enclosure class, motor	IP44	

Get In Touch

Call: [0845 6880112](tel:08456880112)
 Email: info@adremit.co.uk

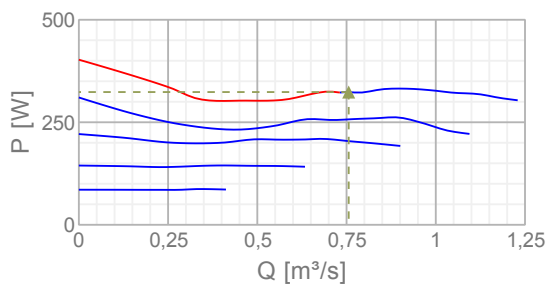
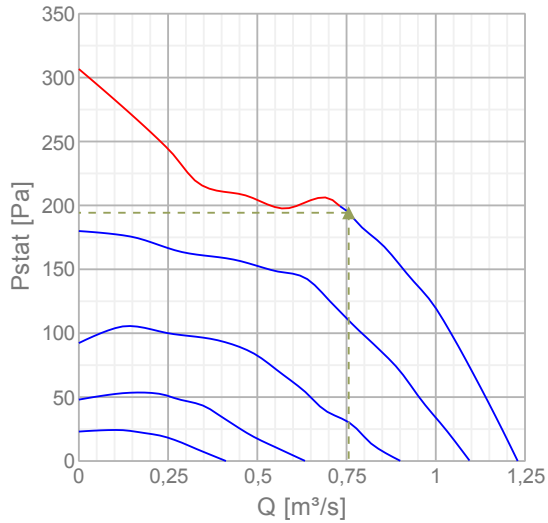
Our Address

Puravent, Adremit Limited, Unit 5a, Commercial Yard,
 Settle, North Yorkshire, BD24 9RH



Diagrams

Diagrams



Max efficiency

Hydraulic data										
▲ Working air flow	0,756 m ³ /s									
▲ Working static pressure	194 Pa									
▲ Power	324 W									
Speed	1368 r.p.m.									
Current	1,71 A									
SFP	0,428 W/(l/s)									
Voltage	230 V									
Sound power level		63	125	250	500	1k	2k	4k	8k	Tot
Inlet	dB(A)	54	66	67	68	69	66	59	50	75
Outlet	dB(A)	55	66	73	69	70	65	59	48	77
Surrounding	dB(A)	31	47	53	54	49	44	39	21	58

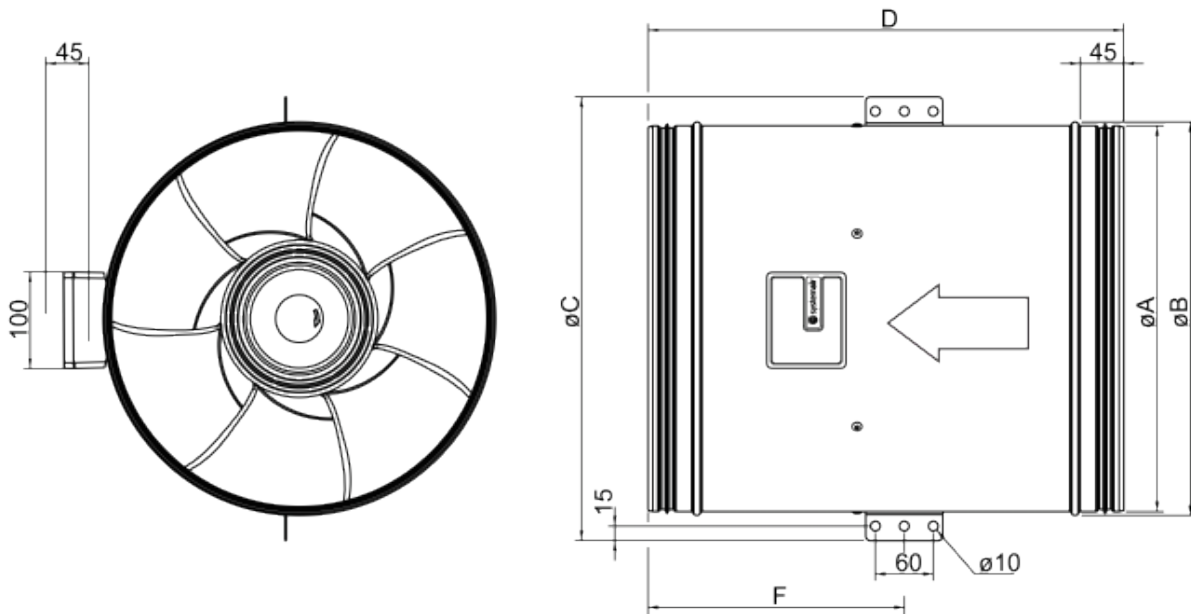
Get In Touch

 Call: [0845 6880112](tel:08456880112)
 Email: info@adremit.co.uk

Our Address

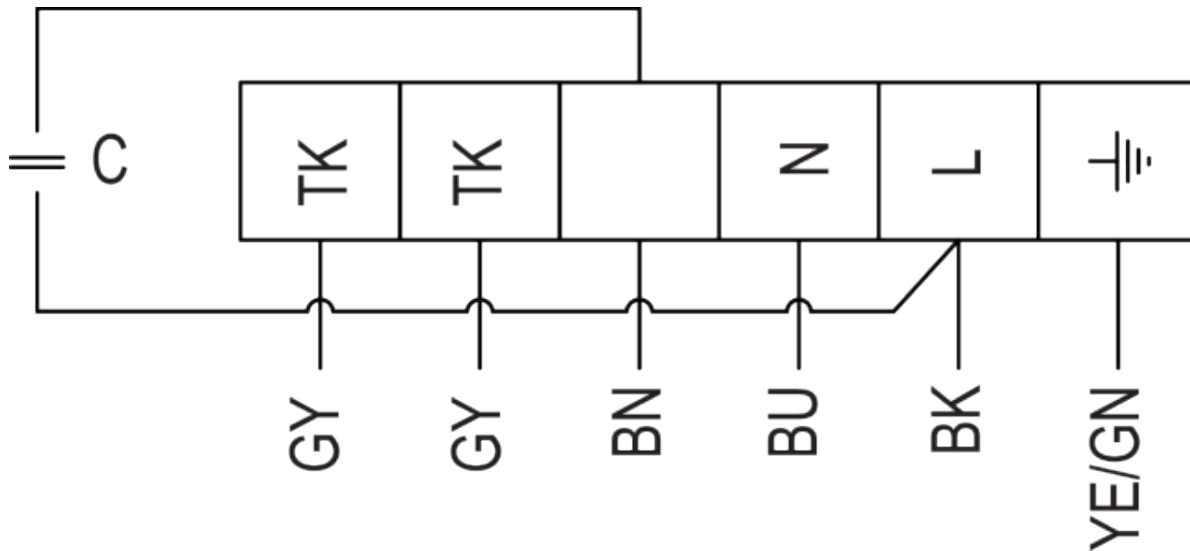
Puravent, Adremit Limited, Unit 5a, Commercial Yard,
Settle, North Yorkshire, BD24 9RH

Dimensions





	øA	øB	øC	D	F
prio 315 EC	314	322	375	407	205
prio 400 AC/EC	399	407	459	493	266

Wiring



YE	Yellow
BU	Blue
GN	Green
BN	Brown
BK	Black
GY	Gray

Get In Touch

 **Call:** [0845 6880112](tel:08456880112)
 **Email:** info@adremit.co.uk

Our Address

Puravent, Adremit Limited, Unit 5a, Commercial Yard,
Settle, North Yorkshire, BD24 9RH

Accessories

Electric accessories

[RE 3 Speed control \(5001\)](#)
[REU 3 Speed control \(5005\)](#)
[RTRE 3 Speed control \(5009\)](#)
[REE 2 Speed control \(5316\)](#)
[REPT 6 Digital regulator \(5698\)](#)
[RT 0-30 Room Thermostat \(5151\)](#)
[S-ET 10 Motor Protection \(5154\)](#)
[S-ET 10E Motor Protection \(5155\)](#)
[CO2RT-R-D Transmitter \(6993\)](#)
[Presence detector/IR24-P \(6995\)](#)
[DTV200 \(6261\)](#)
[STL 3 Speed controller \(84261\)](#)
[REV-3POL/03 ON/OFF \(33978\)](#)
[FRQS-E-6A \(37419\)](#)
[FRQ5S-E-6A \(37421\)](#)
[DTV500A \(96807\)](#)

Accessories


[CB 400-9,0 400V/3 Duct heater \(5392\)](#)
[CB 400-12,0 400V/3 Duct heater \(5393\)](#)
[CBM 400-9,0 400V/3 Duct heater \(5487\)](#)
[VBF 400 Water heating battery \(1736\)](#)
[CWK 400-3-2,5 Duct cooler_circ \(30026\)](#)
[VBC 400-2 Water heating batt \(5462\)](#)
[LDC 400-900 Silencer \(5198\)](#)
[FFR 400 Filter cassette \(1783\)](#)
[FGR 400 Filter cassette \(1823\)](#)
[FK 400 Fast clamp \(1615\)](#)
[VKK-400 Back draft damper \(1629\)](#)
[SG 400 Protection guard \(5613\)](#)
[VK-40 Louvre shutter \(5643\)](#)
[RSK-400 Back draft dmp. \(9973\)](#)
[VBC 400-3 Water heating batt \(9845\)](#)
[CB 400-6,0 400V/2 Duct heater \(5391\)](#)

Documentation



prio_Operating_maintenance_145903_CE_A003_EN.pdf (1,94MB)

Get In Touch

 **Call:** 0845 6880112
 **Email:** info@adremit.co.uk

Our Address

Puravent, Adremit Limited, Unit 5a, Commercial Yard,
Settle, North Yorkshire, BD24 9RH