



PRIO 355

Item no. 93268



Description

Circular duct fan

- Compact design
- High efficiency and low SFP in a real working point
- Low sound level
- Air tight design
- Speed-controllable
- Simple to install, mounting brackets included
- Integrated motor protection

The prio fans is designed for installation in ducts. The casing is manufactured from sheet metal. The fans can be speed-controlled via a stepless thyristor or a 5-step transformer. To protect the motor from overheating, the fans have integral thermal contact with leads for connection to a motor protection device. Outdoor mounting and wet room applications are possible due to the fans air tight casing and the IP 55 rated terminal box. The FK mounting clamp (accessory) facilitates easy installation and removal, and prevents the transfer of vibration to the duct.



Technical parameters

Nominal data		
Voltage	230	V
Frequency	50	Hz
Phase	1	~
Input power (P1)	326	W
Current	1,74	A
Max. airflow	1,17	m³/s
R.p.m.	1368	r.p.m.
Capacitor	6	µF
Weight	18,7	kg
Temperature data		
Max. temperature of transported air	50	°C
Max. temperature of transported air when speed-controlled	50	°C
Sound data		
Sound pressure level at 3 m	52,1	dB(A)
Protection / Classification		
Insulation class		F
Enclosure class, motor		IP44

Get In Touch

Call: [0845 6880112](tel:08456880112)
 Email: info@adremit.co.uk

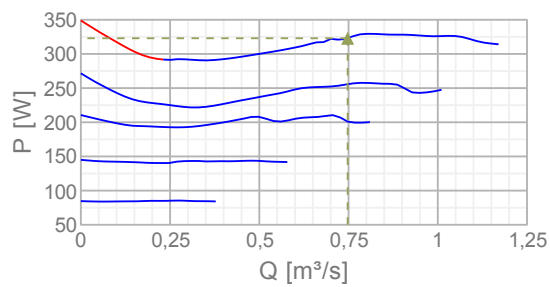
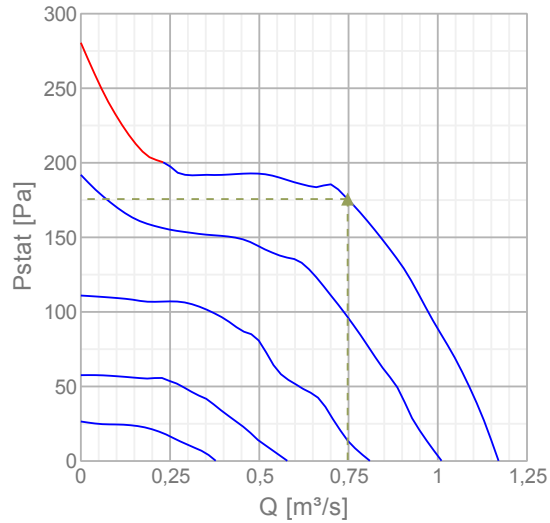
Our Address

Puravent, Adremit Limited, Unit 5a, Commercial Yard,
 Settle, North Yorkshire, BD24 9RH



Diagrams

Diagrams



Max efficiency

Hydraulic data										
▲ Working air flow	0,747 m³/s									
▲ Working static pressure	176 Pa									
▲ Power	323 W									
Speed	1360 r.p.m.									
Current	1,69 A									
SFP	0,432 W/(l/s)									
Voltage	230 V									
Sound power level		63	125	250	500	1k	2k	4k	8k	Tot
Inlet	dB(A)	48	68	71	70	70	66	59	49	76
Outlet	dB(A)	51	71	72	72	72	66	59	48	78
Surrounding	dB(A)	11	40	54	55	52	46	42	21	59

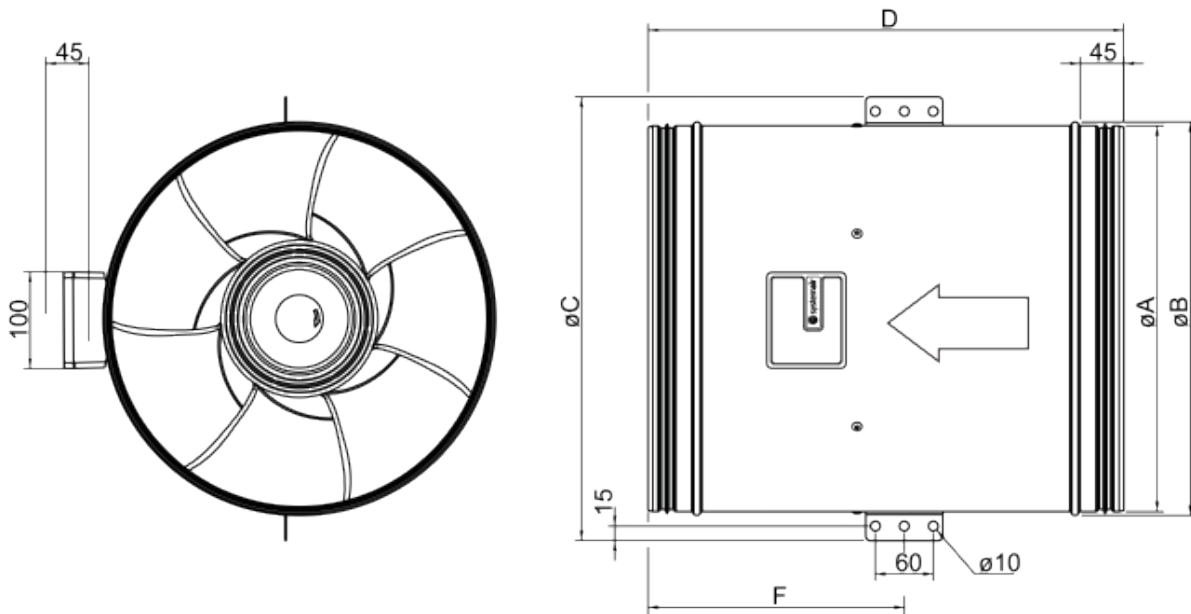
Get In Touch

Call: [0845 6880112](tel:08456880112)Email: info@adremit.co.uk

Our Address

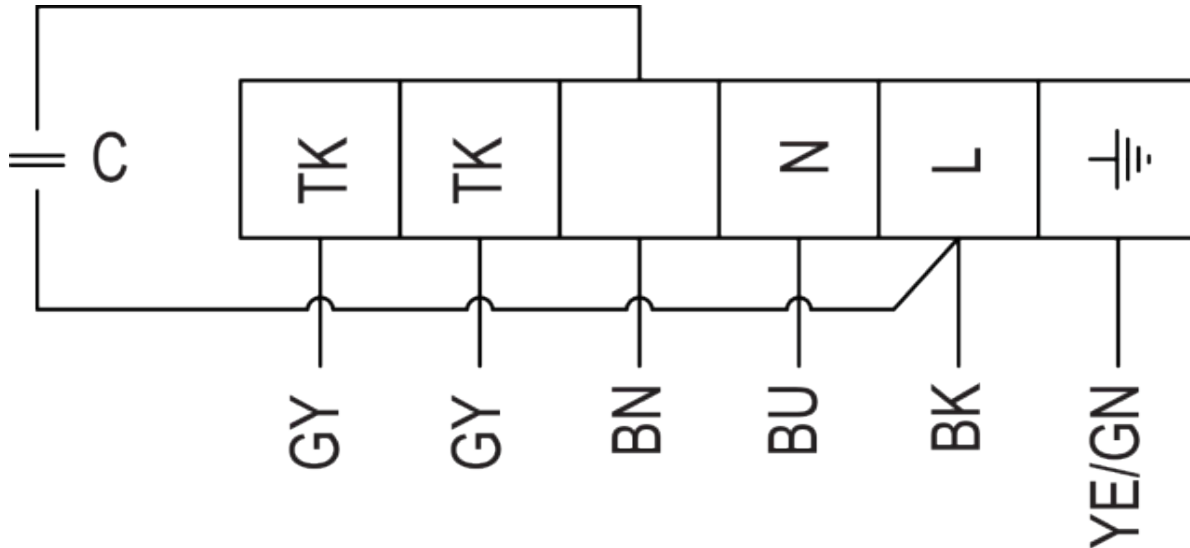
Puravent, Adremit Limited, Unit 5a, Commercial Yard, Settle, North Yorkshire, BD24 9RH

Dimensions





	øA	øB	øC	D	F
prio 315 AC	313	407	459	676	357
prio 355 AC/EC	353	407	459	632	335

Wiring



YE	Yellow
BU	Blue
GN	Green
BN	Brown
BK	Black
GY	Gray

Get In Touch

 **Call:** [0845 6880112](tel:08456880112)
 **Email:** info@adremit.co.uk

Our Address

Puravent, Adremit Limited, Unit 5a, Commercial Yard,
Settle, North Yorkshire, BD24 9RH

Accessories

Electric accessories

[RE 3 Speed control \(5001\)](#)
[REU 3 Speed control \(5005\)](#)
[RTRE 3 Speed control \(5009\)](#)
[REE 2 Speed control \(5316\)](#)
[REPT 6 Digital regulator \(5698\)](#)
[RT 0-30 Room Thermostat \(5151\)](#)
[S-ET 10 Motor Protection \(5154\)](#)
[S-ET 10E Motor Protection \(5155\)](#)
[CO2RT-R-D Transmitter \(6993\)](#)
[Presence detector/IR24-P \(6995\)](#)
[DTV200 \(6261\)](#)
[STL 3 Speed controller \(84261\)](#)
[REV-5POL/05 ON/OFF \(33979\)](#)
[MicroREX D21 Plus Time Switch \(17822\)](#)
[FRQS-E-6A \(37419\)](#)
[FRQ5S-E-6A \(37421\)](#)
[DTV500A \(96807\)](#)

Accessories

[CB 355-9,0 400V/3 Duct heater \(5389\)](#)
[CB 355-12,0 400V/3 Duct heater \(5390\)](#)
[CBM 355-9,0 400V/3 Duct heater \(5486\)](#)
[LDC 355-900 Silencer \(5399\)](#)
[FFR 355 Filter cassette \(1782\)](#)
[FGR 355 Filter cassette \(1821\)](#)
[FK 355 Fast clamp \(1614\)](#)
[SG 355 Protection guard \(5612\)](#)
[VK-35 Louvre shutter \(5642\)](#)
[RSK-355 Back draft dmp. \(9972\)](#)
[CB 355-6,0 400V/2 Duct heater \(5388\)](#)

Documentation



prio_Operating_maintenance_145903_CE_A003_EN.pdf (1,94MB)

Get In Touch



Call: [0845 6880112](tel:08456880112)



Email: info@adremit.co.uk

Our Address

Puravent, Adremit Limited, Unit 5a, Commercial Yard,
Settle, North Yorkshire, BD24 9RH