



PRIO 250E2 CIRCULAR DUCT FAN

Item no. 38333

Version: 50 Hz

Document type: **Product card**
 Document date: **2019-07-02**
 Generated by: **Systemair Online Catalogue**



Description

- Speed-controllable
- Integral thermal contacts
- Can be installed in any position
- Compact design
- Low SFP values and high efficiency
- Low sound level

The prioAir series is designed for installation in ducts. prioAir fans have 30 mm long spigot connections in acc. with EN 1506:1997.

The fans have aerodynamically optimized impellers and guide vanes with integrated external rotor motors. The fans can be speed-controlled via a stepless thyristor or a 5-step transformer. To protect the motor from overheating the fan has integrated thermal contacts with manual reset in acc. with EN 60335-2-80.

The air tight casing (tightness class C in acc. with EN12237:2003) is manufactured from special composite material.

The mounting clamp facilitates easy installation and removal, and prevents the transfer of vibrations to the duct. Mounting bracket to the wall or ceiling as accessory. For installation in damp locations we recommend to use a run-on timer.



Technical parameters

Nominal data		
Voltage	230	V
Frequency	50	Hz
Phase	1	~
Input power (P1)	194	W
Current	0,845	A
Max. airflow	0,566	m³/s
R.p.m.	2692	r.p.m.
Capacitor	6	µF
Weight	5,55	kg
Temperature data		
Max. temperature of transported air	55	°C
Sound data		
Sound pressure level at 3 m	48	dB(A)
Protection / Classification		
Insulation class	F	
Enclosure class, motor	IP44	

Get In Touch

Call: [0845 6880112](tel:08456880112)
 Email: info@adremit.co.uk

Our Address

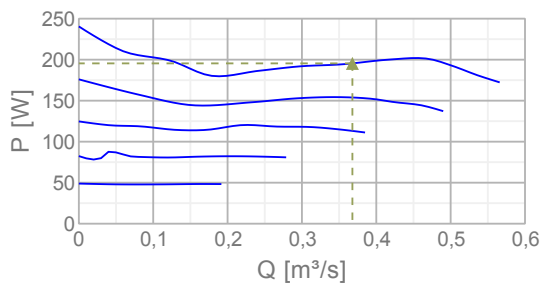
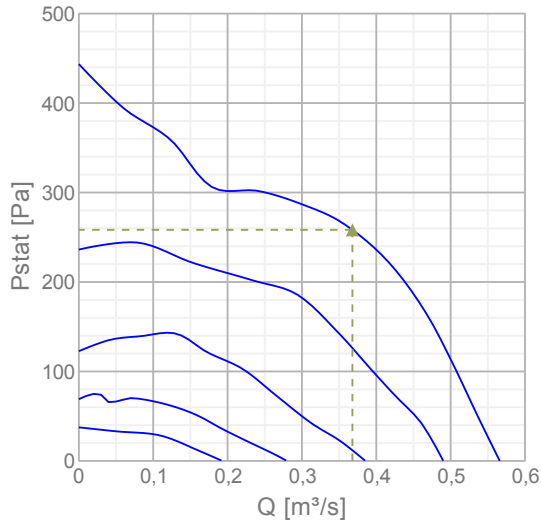
Puravent, Adremit Limited, Unit 5a, Commercial Yard,
 Settle, North Yorkshire, BD24 9RH



EPS diagrams

Diagrams

Diagrams



Max efficiency

Hydraulic data										
▲ Working air flow	0,368 m ³ /s									
▲ Working static pressure	258 Pa									
▲ Power	195 W									
Speed	2689 r.p.m.									
Current	0,849 A									
SFP	0,531 W/(l/s)									
Voltage	230 V									
Sound power level		63	125	250	500	1k	2k	4k	8k	Tot
Inlet	dB(A)	47	54	65	64	71	70	63	54	75
Outlet	dB(A)	46	59	63	68	71	69	63	54	75
Surrounding	dB(A)	30	30	42	45	53	50	38	24	55

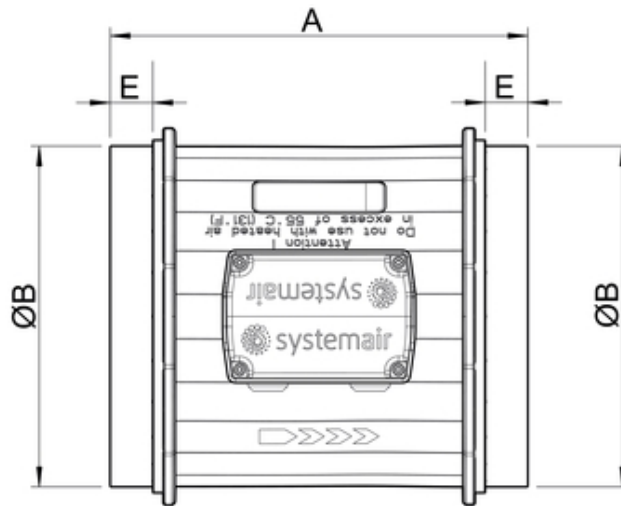
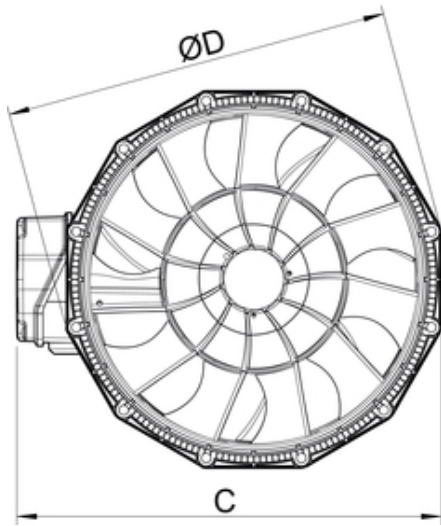
Get In Touch

Call: [0845 6880112](tel:08456880112)
 Email: info@adremit.co.uk

Our Address

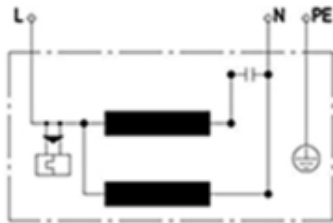
Puravent, Adremit Limited, Unit 5a, Commercial Yard,
 Settle, North Yorkshire, BD24 9RH

Dimensions



	A	ØB	C	ØD	E
prio 250	300	249	303	284	30

Wiring



L	blue	N	black	PE	green/yellow
---	------	---	-------	----	--------------

Accessories

Electric accessories

- [RE 1.5 Speed control \(5000\)](#)
- [REU 1.5 Speed control \(5004\)](#)
- [REE 1 Speed control \(5314\)](#)
- [REPT 6 Digital regulator \(5698\)](#)
- [RT 0-30 Room Thermostat \(5151\)](#)
- [CO2RT-R-D Transmitter \(6993\)](#)
- [Presence detector/IR24-P \(6995\)](#)
- [RETP 6 Temp/Pressure regulator \(32293\)](#)
- [DTV200 \(6261\)](#)
- [STL 1.5 Speed controller \(84251\)](#)
- [REV-3POL/03 ON/OFF \(33978\)](#)
- [FRQS-E-6A \(37419\)](#)
- [FRQ5S-E-6A \(37421\)](#)
- [DTV500A \(96807\)](#)

Get In Touch

 **Call:** [0845 6880112](tel:08456880112)
 **Email:** info@adremit.co.uk

Our Address

Puravent, Adremit Limited, Unit 5a, Commercial Yard,
Settle, North Yorkshire, BD24 9RH

Accessories

[CB 250-9,0 400V/3 Duct heater \(5373\)](#)
[CB 250-3,0 230V/1 Duct heater \(5385\)](#)
[VBF 250 Water heating battery \(1733\)](#)
[CWK 250-3-2,5 Duct cooler,circ \(30024\)](#)
[VBC 250-2 Water heating batt \(5460\)](#)
[LDC 250-900 Silencer \(5196\)](#)
[FFR 250 Filter cassette \(1776\)](#)
[FGR 250 Filter cassette \(1815\)](#)
[FK 250 Fast clamp \(1612\)](#)
[VKK-250 Back draft damper \(1627\)](#)
[RSK-250 Back draft damper \(5603\)](#)
[SG 250 Protection guard \(5610\)](#)
[VK-25 Louvre shutter \(5640\)](#)
[CBM 250-6,0 400V/2 Duct heater \(9089\)](#)
[VBC 250-3 Water heating batt \(9843\)](#)
[CB 250-6,0 400V/2 Duct heater \(5372\)](#)
[prio 250 mount. bracket compl. \(79316\)](#)

Documentation



manual_prioair_en_[006].pdf (7,45MB)



eu declaration of conformity_prio_en_001.pdf (47,97kB)



prioair250_o_rahmen.dxf (4,19MB)

Specification text

Get In Touch



Call: [0845 6880112](tel:08456880112)



Email: info@adremit.co.uk

Our Address

Puravent, Adremit Limited, Unit 5a, Commercial Yard,
Settle, North Yorkshire, BD24 9RH