



# PRIO 200E2 CIRCULAR DUCT FAN

Item no. 36381

Version: 50 Hz

Document type: **Product card**  
 Document date: **2019-07-02**  
 Generated by: **Systemair Online Catalogue**



## Description

- Speed-controllable
- Integral thermal contacts
- Can be installed in any position
- Compact design
- Low SFP values and high efficiency
- Low sound level

The prioAir series is designed for installation in ducts. PrioAir fans have 25 mm long spigot connections in acc. with EN 1506:1997.

The fans have aerodynamically optimized impellers and guide vanes with integrated external rotor motors. The fans can be speed-controlled via a stepless thyristor or a 5-step transformer. To protect the motor from overheating the fan has integrated thermal contacts with manual reset in acc. with EN 60335-2-80.

The air tight casing (tightness class C in acc. with EN12237:2003) is manufactured from special composite material.

The mounting clamp facilitates easy installation and removal, and prevents the transfer of vibrations to the duct. Mounting bracket to the wall or ceiling as accessory. For installation in damp locations we recommend to use a run-on timer.



## Technical parameters

Nominal data		
Voltage	230	V
Frequency	50	Hz
Phase	1	~
Input power (P1)	68	W
Current	0,316	A
Max. airflow	0,265	m³/s
R.p.m.	2605	r.p.m.
Capacitor	1,5	µF
Weight	3,4	kg
Temperature data		
Max. temperature of transported air	55	°C
Sound data		
Sound pressure level at 3 m	43	dB(A)
Protection / Classification		
Insulation class	B	
Enclosure class, motor	IP44	

### Get In Touch

Call: [0845 6880112](tel:08456880112)  
 Email: [info@adremit.co.uk](mailto:info@adremit.co.uk)

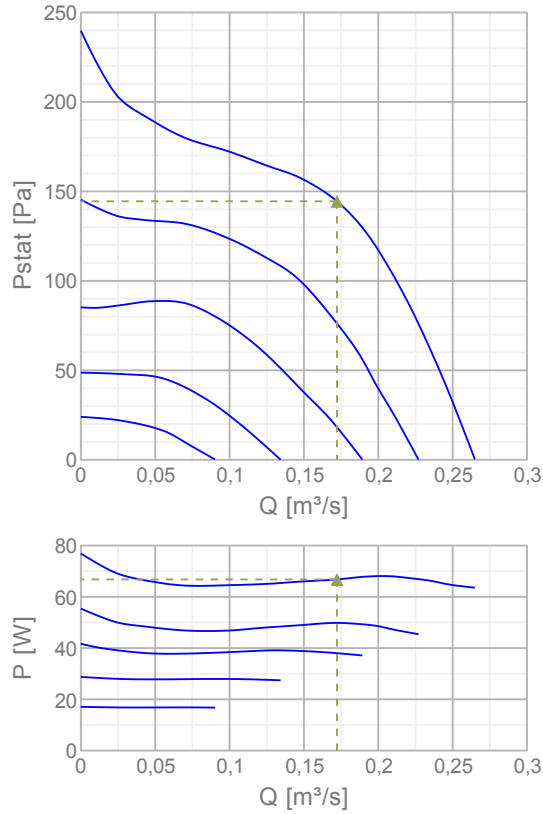
### Our Address

Puravent, Adremit Limited, Unit 5a, Commercial Yard,  
 Settle, North Yorkshire, BD24 9RH



## Diagrams

### Diagrams



### Max efficiency

Hydraulic data										
▲ Working air flow										0,172 m³/s
▲ Working static pressure										144 Pa
▲ Power										66,8 W
Speed										2620 r.p.m.
Current										0,308 A
SFP										0,388 W/(l/s)
Voltage										230 V
Sound power level		63	125	250	500	1k	2k	4k	8k	Tot
Inlet	dB(A)	37	50	65	65	63	60	55	46	70
Outlet	dB(A)	36	49	56	61	59	58	54	46	65
Surrounding	dB(A)	12	22	33	47	45	42	31	18	50

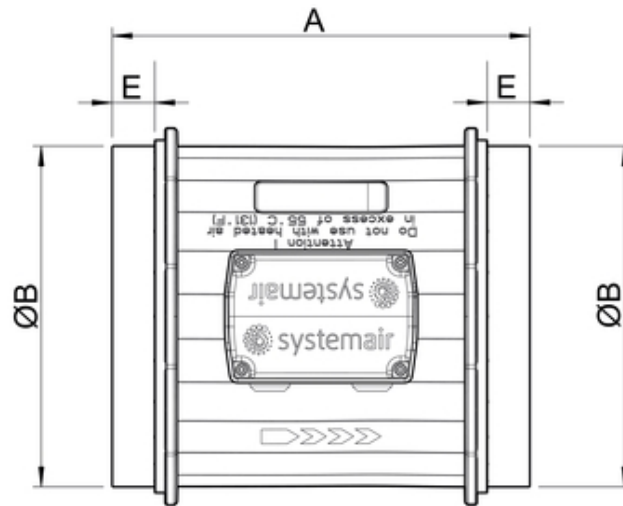
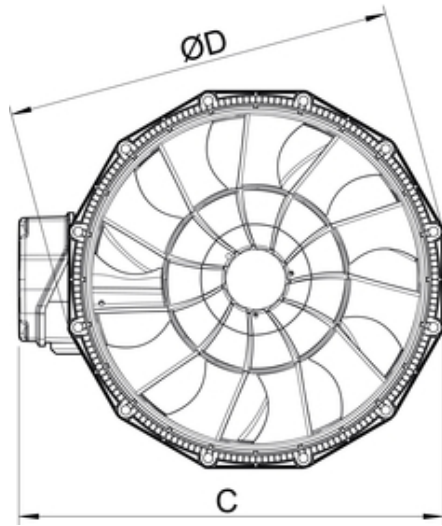
### Get In Touch

Call: [0845 6880112](tel:08456880112)  
 Email: [info@adremit.co.uk](mailto:info@adremit.co.uk)

### Our Address

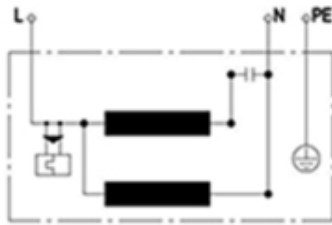
Puravent, Adremit Limited, Unit 5a, Commercial Yard,  
 Settle, North Yorkshire, BD24 9RH

## Dimensions



	A	ØB	C	ØD	E
prio 200	245	199	249	227	25

## Wiring



L	blue	N	black	PE	green/yellow
---	------	---	-------	----	--------------

## Accessories

### Electric accessories

- [RE 1.5 Speed control \(5000\)](#)
- [REU 1.5 Speed control \(5004\)](#)
- [REE 1 Speed control \(5314\)](#)
- [REPT 6 Digital regulator \(5698\)](#)
- [RT 0-30 Room Thermostat \(5151\)](#)
- [CO2RT-R-D Transmitter \(6993\)](#)
- [Presence detector/IR24-P \(6995\)](#)
- [RETP 6 Temp/Pressure regulator \(32293\)](#)
- [DTV200 \(6261\)](#)
- [REV-3POL/03 ON/OFF \(33978\)](#)
- [FRQS-E-6A \(37419\)](#)
- [FRQ5S-E-6A \(37421\)](#)
- [DTV500A \(96807\)](#)

### Get In Touch

 **Call:** [0845 6880112](tel:08456880112)  
 **Email:** [info@adremit.co.uk](mailto:info@adremit.co.uk)

### Our Address

Puravent, Adremit Limited, Unit 5a, Commercial Yard,  
Settle, North Yorkshire, BD24 9RH

## Accessories

[CB 200-3,0 230V/1 Duct heater \(5370\)](#)  
[CB 200-2,1 230V/1 Duct heater \(5384\)](#)  
[CBM 200-5,0 400V/2 Duct heater \(5483\)](#)  
[VBF 200 Water heating battery \(1732\)](#)  
[CWK 200-3-2,5 Duct cooler,circ \(30023\)](#)  
[VBC 200-2 Water heating batt \(5459\)](#)  
[LDC 200-600 Silencer \(5194\)](#)  
[LDC 200-900 Silencer \(5195\)](#)  
[FFR 200 Filter cassette \(1773\)](#)  
[FGR 200 Filter cassette \(1812\)](#)  
[FK 200 Fast clamp \(1611\)](#)  
[VKK-200 Back draft damper \(1626\)](#)  
[IGK-200 Wall Grid \(1633\)](#)  
[RSK-200 Back draft damper \(5602\)](#)  
[SG 200 Protection guard \(5609\)](#)  
[VK-20 Louvre shutter \(5639\)](#)  
[VBC 200-3 Water heating batt \(9841\)](#)  
[LDC 200-300 Silencer \(53369\)](#)  
[CB 200/S1/3,0KW 400V/2Duct hea \(5294\)](#)  
[CB 200-5,0 400V/2 Duct heater \(5371\)](#)  
[prio 200 mount. bracket compl. \(79315\)](#)

## Documentation



manual\_prioair\_en\_[006].pdf (7,45MB)



eu declaration of conformity\_prio\_en\_001.pdf (47,97kB)



prio\_air200\_o\_rahmen.dxf (5,47MB)

### Get In Touch



Call: [0845 6880112](tel:08456880112)



Email: [info@adremit.co.uk](mailto:info@adremit.co.uk)

### Our Address

Puravent, Adremit Limited, Unit 5a, Commercial Yard,  
Settle, North Yorkshire, BD24 9RH