



PRIO 160E2 CIRCULAR DUCT FAN

Item no. 36916

Version: 50 Hz

Document type: **Product card**
 Document date: **2019-07-02**
 Generated by: **Systemair Online Catalogue**



Description

- Speed-controllable
- Integral thermal contacts
- Can be installed in any position
- Compact design
- Low SFP values and high efficiency
- Low sound level

The prioAir series is designed for installation in ducts. PrioAir fans have 25 mm long spigot connections in acc. with EN 1506:1997.

The fans have aerodynamically optimized impellers and guide vanes with integrated external rotor motors. The fans can be speed-controlled via a stepless thyristor or a 5-step transformer. To protect the motor from overheating the fan has integrated thermal contacts with manual reset in acc. with EN 60335-2-80.

The air tight casing (tightness class C in acc. with EN12237:2003) is manufactured from special composite material.

The mounting clamp facilitates easy installation and removal, and prevents the transfer of vibrations to the duct. Mounting bracket to the wall or ceiling as accessory. For installation in damp locations we recommend to use a run-on timer.



Technical parameters

Nominal data		
Voltage	230	V
Frequency	50	Hz
Phase	1	~
Input power (P1)	26,3	W
Current	0,12	A
Max. airflow	0,121	m³/s
R.p.m.	2447	r.p.m.
Capacitor	0,7	µF
Weight	1,4	kg
Temperature data		
Max. temperature of transported air	55	°C
Sound data		
Sound pressure level at 3 m	35	dB(A)
Protection / Classification		
Insulation class	B	
Enclosure class, motor	IP44	

Get In Touch

Call: [0845 6880112](tel:08456880112)
 Email: info@adremit.co.uk

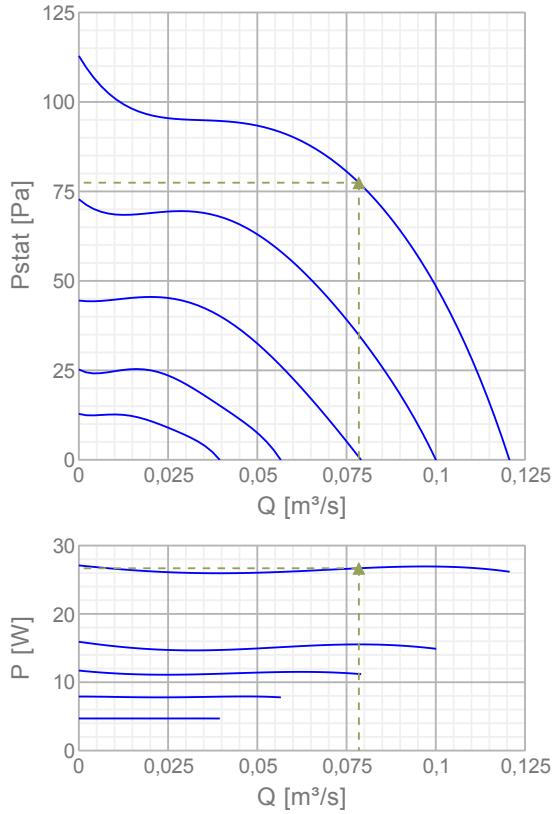
Our Address

Puravent, Adremit Limited, Unit 5a, Commercial Yard,
 Settle, North Yorkshire, BD24 9RH



Diagrams

Diagrams



Max efficiency

Hydraulic data										
▲ Working air flow										0,0785 m³/s
▲ Working static pressure										77,4 Pa
▲ Power										26,7 W
Speed										2416 r.p.m.
Current										0,12 A
SFP										0,34 W/(l/s)
Voltage										230 V
Sound power level		63	125	250	500	1k	2k	4k	8k	Tot
Inlet	dB(A)	41	49	61	54	54	50	43	28	63
Outlet	dB(A)	40	47	66	56	56	52	44	30	67
Surrounding	dB(A)	15	6	34	34	36	34	19	7	41

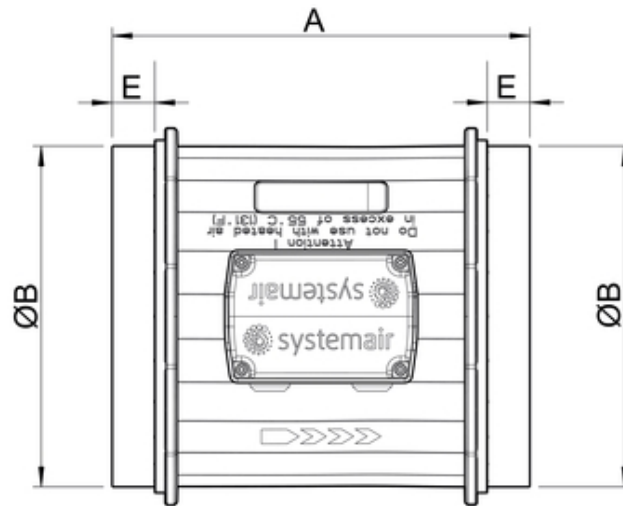
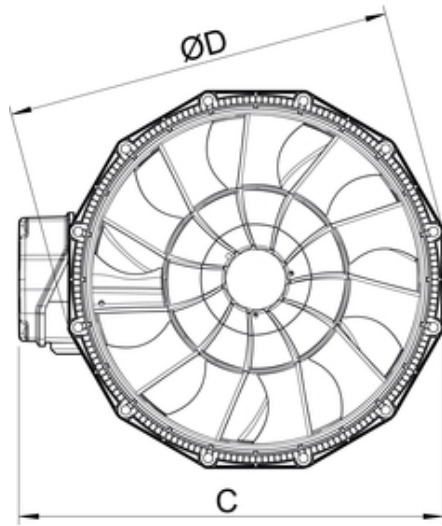
Get In Touch

Call: [0845 6880112](tel:08456880112)
 Email: info@adremit.co.uk

Our Address

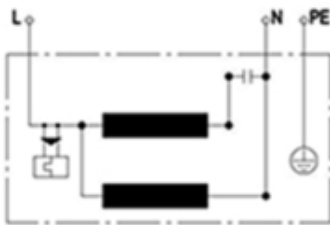
Puravent, Adremit Limited, Unit 5a, Commercial Yard,
 Settle, North Yorkshire, BD24 9RH

Dimensions



	A	ØB	C	ØD	E
prio 160	220	159	211	187	25

Wiring



L	blue	N	black	PE	green/yellow
---	------	---	-------	----	--------------

Accessories

Electric accessories

- [RE 1.5 Speed control \(5000\)](#)
- [REU 1.5 Speed control \(5004\)](#)
- [REE 1 Speed control \(5314\)](#)
- [REPT 6 Digital regulator \(5698\)](#)
- [RT 0-30 Room Thermostat \(5151\)](#)
- [CO2RT-R-D Transmitter \(6993\)](#)
- [Presence detector/IR24-P \(6995\)](#)
- [MTV-1/010 Controller 0..10V+ \(30650\)](#)
- [DMD-C Pressure controller \(15793\)](#)
- [RETP 6 Temp/Pressure regulator \(32293\)](#)
- [MTP 10..10K, Speed control \(32731\)](#)
- [DTV200 \(6261\)](#)
- [EC-Vent Room Unit \(3018\)](#)
- [EC-Vent control board \(3115\)](#)
- [REV-3POL/03 ON/OFF \(33978\)](#)
- [MTP 20, on/off, 3-step \(310220\)](#)
- [EC-Basic-H humidity \(24807\)](#)
- [EC-Basic-T temperature \(24805\)](#)
- [EC-Basic-U universal 0-10V \(24806\)](#)
- [EC-Basic-CO2 and temperature \(24808\)](#)
- [CXE/AVC Modbus \(37256\)](#)
- [FRQS-E-6A \(37419\)](#)
- [FRQ5S-E-6A \(37421\)](#)
- [DTV500A \(96807\)](#)

Get In Touch

 **Call:** 0845 6880112
 **Email:** info@adremit.co.uk

Our Address

Puravent, Adremit Limited, Unit 5a, Commercial Yard,
Settle, North Yorkshire, BD24 9RH

Accessories

[CB 160-1,2 230V/1 Duct heater \(5291\)](#)
[CB 160-2,1 230V/1 Duct heater \(5292\)](#)
[CB 160-2,7 230V/1 Duct heater \(5382\)](#)
[CBM 160-2,1 230V/1 Duct heater \(5482\)](#)
[VBF 160 Water heating battery \(1731\)](#)
[CWK 160-3-2,5 Duct cooler,circ \(30022\)](#)
[VBC 160-2 Water heating batt \(5458\)](#)
[LDC 160-600 Silencer \(5192\)](#)
[LDC 160-900 Silencer \(5193\)](#)
[FFR 160 Filter cassette \(1770\)](#)
[FGR 160 Filter cassette \(1809\)](#)
[FK 160 Fast clamp \(1610\)](#)
[VKK-160 Back draft damper \(1625\)](#)
[IGK-160 Wall Grid \(1632\)](#)
[RSK-160 Back draft damper \(5601\)](#)
[SG 160 Protection guard \(5608\)](#)
[THB 160 Hood w. cover pl. Red \(2034\)](#)
[THB 160 Hood w. cover pl. black \(1764\)](#)
[THS 160 Hood w. cover pl. black \(1839\)](#)
[THS 160 Hood w. cover pl. Red \(2044\)](#)
[VBC 160-3 Water heating batt \(9840\)](#)
[LDC 160-300 Silencer \(53108\)](#)
[CB 160-5,0 400V/2 Duct heater \(5383\)](#)
[prio 150/160 mount. br. compl. \(79314\)](#)

Documentation



manual_prioair_en_[006].pdf (7,45MB)



eu declaration of conformity_prio_en_001.pdf (47,97kB)



prioair160_o_rahmen.dxf (4,72MB)

Specification text

Name: **PRIO 160E2 CIRCULAR DUCT FAN** | Item no.: **36916** | Version: **50 Hz**

Document type: **Product card** | Document date: **2019-07-02** | Generated by: **Online catalogue**

4 / 4

Get In Touch



Call: [0845 6880112](tel:08456880112)



Email: info@adremit.co.uk

Our Address

Puravent, Adremit Limited, Unit 5a, Commercial Yard,
Settle, North Yorkshire, BD24 9RH