



PRF 180DV

Item no. 31497

Version: 50 Hz

Document type: **Product card**

Document date: **2019-07-02**

Generated by: **Systemair Online Catalogue**

Description

- Temperature of transported air from -15°C - $+70^{\circ}\text{C}$
- Single-flow impellers from PP with effective blade geometry
- The powder painted pedestal is manufactured of galvanised steel
- Position of casing can be easily adapted
- Perfect fitting accessories: connections, dampers, splinter protection

The PRF fans have been developed especially for the exhaust of aggressive media. This is the right fan when corrosive gases, contaminated air or other aggressive components are part of the exhaust air. Typical applications are medical facilities, the food-, electrical-or chemical industry.

The sintered casing from UV-resistant PE is absolutely waterproof and offers a variety of applications with its connectors from \varnothing 125 – 250 mm. The casing can be easily adjusted through turning it (Standard position is LG270, see picture).



Technical parameters

Nominal data		
Voltage	400	V
Frequency	50	Hz
Phase	3	~
Input power (P1)	205	W
Current	0,49	A
Max. airflow	0,308	m ³ /s
R.p.m.	1346	r.p.m.
Weight	15	kg
Temperature data		
Max. temperature of transported air	70	°C
Max. temperature of transported air when speed-controlled	70	°C
Sound data		
Sound pressure level at 3 m	49	dB(A)

Get In Touch

Call: [0845 6880112](tel:08456880112)
 Email: info@adremit.co.uk

Our Address

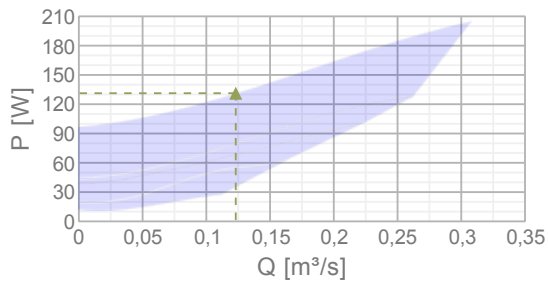
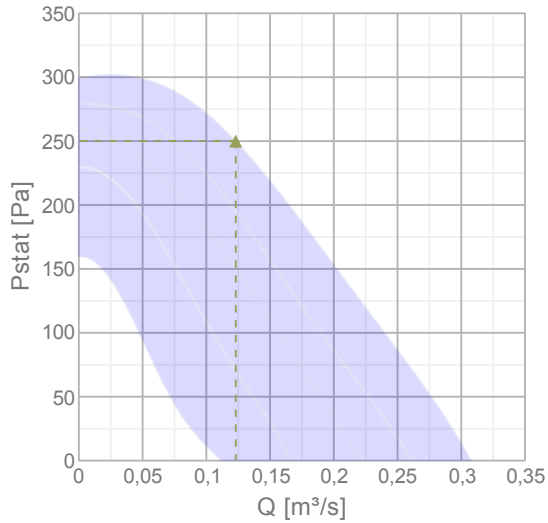
Puravent, Adremit Limited, Unit 5a, Commercial Yard,
 Settle, North Yorkshire, BD24 9RH

Protection / Classification

Insulation class	F
Enclosure class, motor	IP54

Diagrams

Diagrams



Max efficiency

Hydraulic data	
▲ Working air flow	0,123 m³/s
▲ Working static pressure	250 Pa
▲ Power	131 W
Speed	1420 r.p.m.
Current	0,452 A
SFP	1,07 W/(Vs)
Voltage	400 V

Name: **PRF 180DV** | Item no.: **31497** | Version: **50 Hz**

Document type: **Product card** | Document date: **2019-07-02** | Generated by: **Online catalogue**

2 / 5

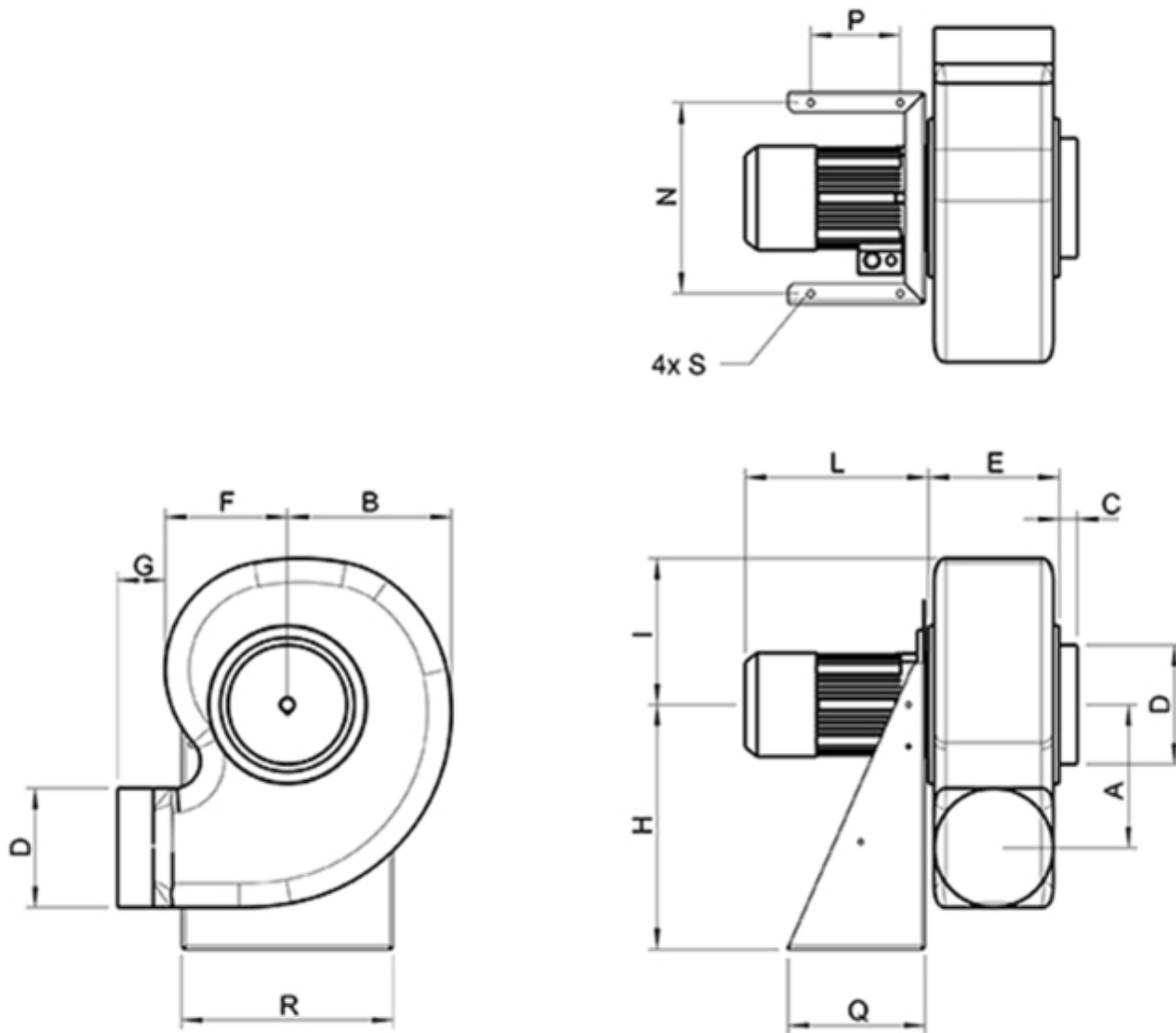
Get In Touch

Call: [0845 6880112](tel:08456880112)
Email: info@adremit.co.uk

Our Address

Puravent, Adremit Limited, Unit 5a, Commercial Yard,
Settle, North Yorkshire, BD24 9RH

Dimensions





	A	B	C	∅D	E	F	G	H	I	L	N	P	Q	R
PRF 180E4/DV	208	274	40	180	160	204	60	350	230	190	277	120	190	316

total height =

580 mm

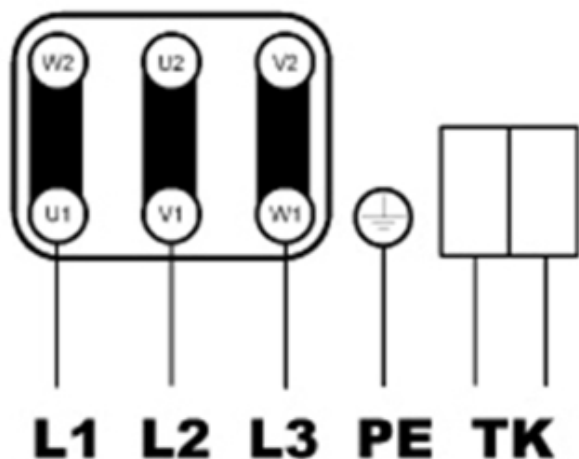
Get In Touch

 Call: [0845 6880112](tel:08456880112)
 Email: info@adremit.co.uk

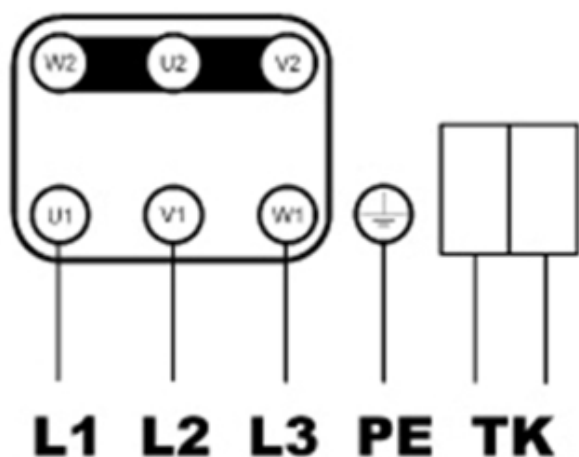
Our Address

Puravent, Adremit Limited, Unit 5a, Commercial Yard,
Settle, North Yorkshire, BD24 9RH

Wiring



D-Schaltung
D-koppling
Delta connection
Branchement en triangle



Y-Schaltung
Y-koppling
Star connection
Branchement en étoile

Accessories

Electric accessories

[RTRD 2 Speed Cont. Systemair \(5941\)](#)
[RTRDU 2 Speed contr. Systemair \(5945\)](#)
[STDT 16 Motor Protection \(5152\)](#)
[STDT 16E Motor Protection \(5153\)](#)
[Alarm contact K\(ZB\) S-ET/STDT \(5340\)](#)
[REV-5POL/07 ON/OFF \(33980\)](#)
[REV-9POL/12 ON/OFF \(33981\)](#)
[FRQ-4A V2 \(36227\)](#)
[FRQ5-4A+LED V2 \(36229\)](#)
[FRQ5S-4A+LED V2 \(36233\)](#)
[FRQS-4A V2 \(36231\)](#)

Accessories

[ASS-P 180 flex. con. PRF \(32379\)](#)
[VKA-P 180 adjust. damper PRF \(32380\)](#)
[VKS-P 180 gravity shutter PRF \(32381\)](#)
[VP-Splinter protection PRF 180 \(305463\)](#)
[SD rubber mou. 4Pcs PRF160-250 \(32568\)](#)
[WSD PRF180 Weather roof KIT \(309458\)](#)

Name: **PRF 180DV** | Item no.: **31497** | Version: **50 Hz**

4 / 5

Document type: **Product card** | Document date: **2019-07-02** | Generated by: **Online catalogue**


Get In Touch


 **Call:** [0845 6880112](tel:08456880112)
 **Email:** info@adremit.co.uk


Our Address

Puravent, Adremit Limited, Unit 5a, Commercial Yard,
Settle, North Yorkshire, BD24 9RH

Documentation

 manual_prf, prf ex_en_005.pdf (531,63kB)

 ec-dec_prf_171114_de, gb_003.pdf (549,34kB)

 compatibility with chemical agents_en_003.pdf (64,78kB)

Acoustics

Mid-frequency band, Hz

	Hz	Tot	63	125	250	500	1k	2k	4k	8k
LwA Inlet	dB(A)	70	53	67	62	62	58	54	48	41
LwA Outlet	dB(A)	73	54	70	67	66	60	58	49	41
LwA Surrounding	dB(A)	56	32	34	45	54	49	46	37	34

Measuring point: $qv = 0,17 \text{ m}^3/\text{s}$, $Ps = 221 \text{ Pa}$

Specification text

Plastic circular duct fan, developed for the exhaust of aggressive media.

Particularly suitable for exhaust air with corrosive gases, contaminated air or other aggressive components.

Sintered casing from UV-resistant PE, waterproof.

Pedestal and motor mounting made of galvanised steel, painted.

Single-flow impellers from PP with effective blade geometry.

Voltage controllable standard IEC motor.

Motor outside air flow.

Integral thermal contacts with leads to a motor protection device. Speed-controlled by voltage reduction via transformer or frequency inverter.

2 speed control by star delta change-over.

Terminal box fitted on the motor.

Suitable for extract air. Variable installation, the casing position can be easily adapted. (Standard position LG270).

For indoor installation.

Preferable applications are medical facilities as well as food, electrical, chemical and metal industry.

Name: **PRF 180DV** | Item no.: **31497** | Version: **50 Hz**

Document type: **Product card** | Document date: **2019-07-02** | Generated by: **Online catalogue**

5 / 5

Get In Touch



Call: [0845 6880112](tel:08456880112)



Email: info@adremit.co.uk

Our Address

Puravent, Adremit Limited, Unit 5a, Commercial Yard,
Settle, North Yorkshire, BD24 9RH