



PRESENCE DETECTOR/IR24-PC

Item no. 7288

Document type: **Product card**
Document date: **2019-07-02**
Generated by: **Systemair Online Catalogue**

Description

Presence detector

A detector that gives a signal when someone is present in the room under supervision. The detector has a pulse detecting function that minimizes the risk for false alarm. Settable output on/off delay.
Intended for ceiling mounting.

IR24-PC is a presence detector designed for automatic ventilation control of HVAC systems.

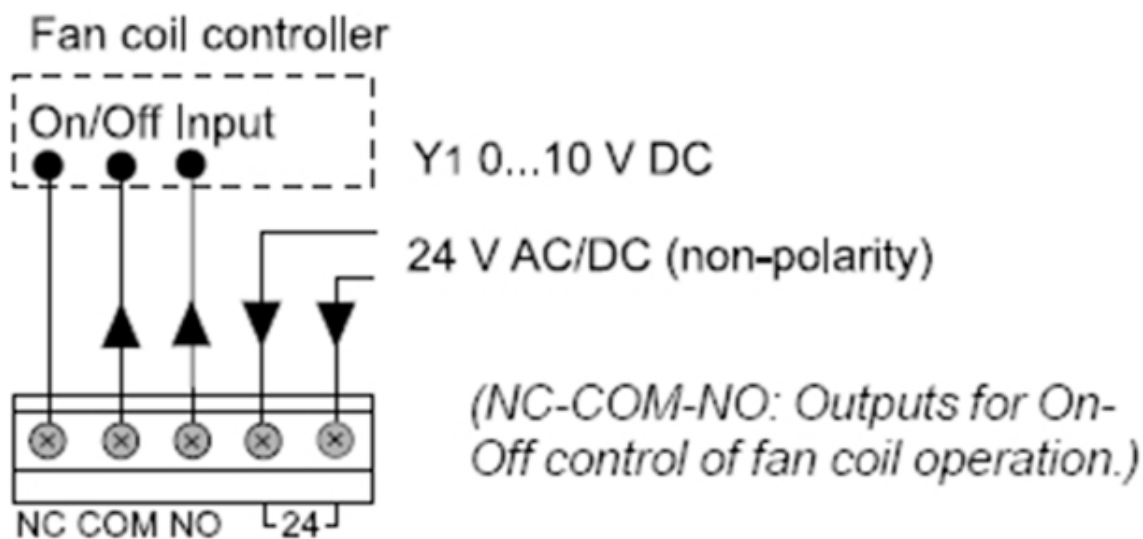
Documentation

IR24-PC_Inst_EN_SV_DE_FR.pdf (833,13kB)

IR24-PC en.pdf (1,43MB)

Accessories

Wiring



Specification text

Get In Touch

Call: [0845 6880112](tel:08456880112)
 Email: info@adremit.co.uk

Our Address

Puravent, Adremit Limited, Unit 5a, Commercial Yard,
Settle, North Yorkshire, BD24 9RH