

# AWS



## Dry coolers

Single row of fans.



For more information, downloads and videos, visit the AWS page on our website

### Get In Touch

 Call: [0845 6880112](tel:08456880112)  
 Email: [info@adremit.co.uk](mailto:info@adremit.co.uk)

### Our Address

Puravent, Adremit Limited, Unit 5a, Commercial Yard, Settle, North Yorkshire, BD24 9RH



#### Product features

- Optimized heat exchangers and fans
- Compact
- Quiet
- Robust
- Economical
- Completely wired up to the terminal box

#### Dry coolers: Single row of fans

The Mark AWS is a series of Dry Coolers with a single row of fans. Both the standard version and the low-noise version are available in cooling capacities from 44 kW to 217 kW.

The AWS Dry Coolers are compact and robust. They are made of galvanized steel for both horizontal and vertical mounting using the correct kit. The units are equipped with anchor and lifting points for placement.


The chassis and housing are fully protected with a paint layer with a high corrosion resistance that offers maximum weather resistance. The parts are each coated in RAL 9002 prior to assembly.

Mark single row Dry Coolers are equipped with heat exchangers with a copper tube and aluminum fins. They are equipped with a steel threaded connection.

The fans incorporate 3-phase asynchronous external rotor motors with IP54 protection level, class F insulation, with the possibility of connecting them in star or delta, having in this way two speeds of operation.

Adaptation to the most restrictive noise conditions, this range of fan motors is available with a different number of poles.

#### Get In Touch

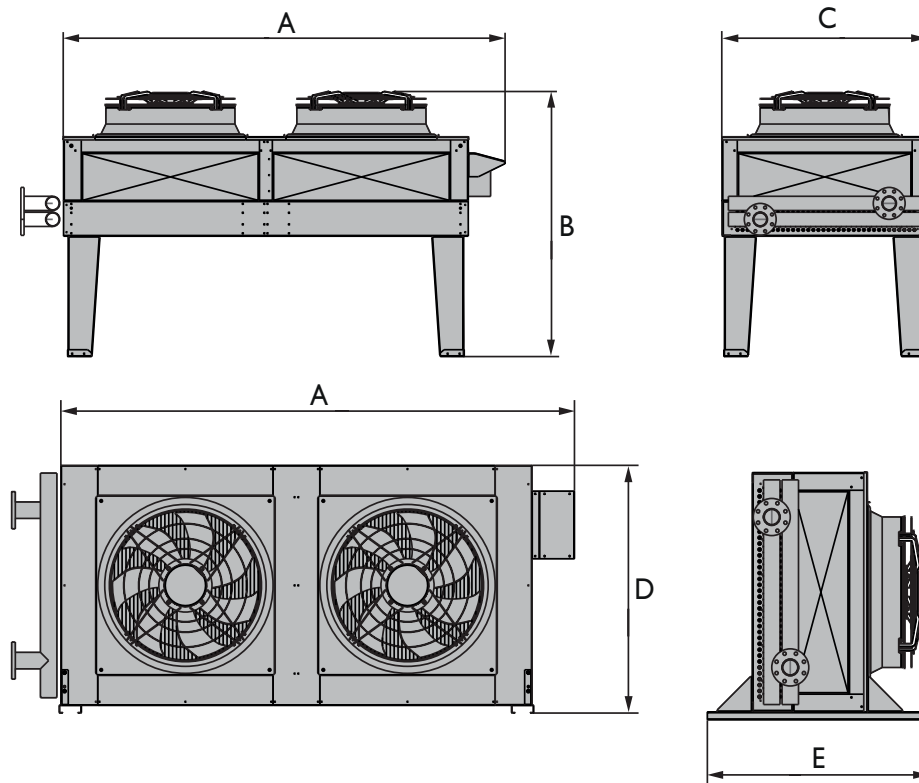
-  Call: [0845 6880112](tel:08456880112)  
 Email: [info@adremit.co.uk](mailto:info@adremit.co.uk)

#### Our Address

Puravent, Adremit Limited, Unit 5a, Commercial Yard,  
Settle, North Yorkshire, BD24 9RH



## Dimensions



AWSN series - Ø 800 mm fans - standard version

Type	Number of fans	Surface m <sup>2</sup>	Internal volume dm <sup>3</sup>	Connection Ø	A mm	B mm	C mm	D mm	E mm	Weight kg
AWSN-41C-044M		99	13							271
AWSN-41D-051M	1	132	17	2"	1575	1660	1295	1335	1200	283
AWSN-41E-054M		164	21							294
AWSN-42C-090M		197	26							471
AWSN-42D-102M	2	263	35	3"	2775	1660	1295	1335	1200	495
AWSN-42E-108M		329	43							518
AWSN-43C-135M		296	39							648
AWSN-43D-154M	3	395	52	3"	3975	1660	1295	1335	1200	682
AWSN-43E-163M		493	64							718
AWSN-44C-181M		395	52							854
AWSN-44D-205M	4	526	69	4"	5175	1660	1295	1335	1200	900
AWSN-44E-217M		658	87							947

### Get In Touch

 Call: 0845 6880112  
 Email: [info@adremit.co.uk](mailto:info@adremit.co.uk)

### Our Address

Puravent, Adremit Limited, Unit 5a, Commercial Yard,  
Settle, North Yorkshire, BD24 9RH



## AWSB series - Ø 800 mm fans - low noise fans

Type	Number of fans	Surface m <sup>2</sup>	Internal volume dm <sup>3</sup>	Connection Ø	A mm	B mm	C mm	D mm	E mm	Weight kg
AWSB-41C-035M		99	13							266
AWSB-41D-039M	1	132	17	2"	1575	1660	1295	1335	1200	278
AWSB-41E-040M		164	21							289
AWSB-42C-070M		197	26							461
AWSB-42D-077M	2	263	35	3"	2775	1660	1295	1335	1200	484
AWSB-42E-081M		329	43							508
AWSB-43C-106M		296	39							632
AWSB-43D-117M	3	395	52	3"	3975	1660	1295	1335	1200	667
AWSB-43E-122M		493	64							702
AWSB-44C-140M		395	52							833
AWSB-44D-155M	4	526	69	4"	5175	1660	1295	1335	1200	880
AWSB-44E-162M		658	87							927

## AWSN series - Ø 910 mm fans - standard version

Type	Number of fans	Surface m <sup>2</sup>	Internal volume dm <sup>3</sup>	Connection Ø	A mm	B mm	C mm	D mm	E mm	Weight kg
AWSN-51C-71L		180	24							404
AWSN-51D-81L	1	241	32	2"	2175	1768	1747	1588	1260	425
AWSN-51F-90L		362	48							470
AWSN-52C-142L		362	48							664
AWSN-52D-162L	2	482	63	2 1/2"	3975	1768	1747	1588	1260	708
AWSN-52F-181L		724	95							795
AWSN-53C-221L		543	71							960
AWSN-53D-251L	3	724	95	3"	5775	1768	1747	1588	1260	1024
AWSN-53F-279L		1086	143							1152
AWSN-54C-262L		817	94							1255
AWSN-54D-308L	4	1089	125	4"	7575	1768	1747	1588	1260	1335
AWSN-54F-365L		1634	188							1494
AWSN-55C-333L		1021	117							1540
AWSN-55D-391L	5	1361	156	4"	9375	1768	1747	1588	1260	1640
AWSN-55F-462L		2042	234							1838
AWSN-56F-560L	6	2450	281	4"	11175	1768	1747	1588	1260	2183

## Get In Touch

Call: [0845 6880112](tel:08456880112)  
 Email: [info@adremit.co.uk](mailto:info@adremit.co.uk)

## Our Address

Puravent, Adremit Limited, Unit 5a, Commercial Yard,  
 Settle, North Yorkshire, BD24 9RH



## Technical information

### AWSN series - Ø 800 mm fans - standard version

Type	~ 400v/50 Hz Connection Δ					~ 400v/50 Hz Connection Y				
	Capacity	Mass flow	Pressure drop	Power consumption	Sound	Capacity	Mass flow	Pressure drop	Power consumption	Sound
	kW	m <sup>3</sup> /h	kPa	kW	dB(A)	kW	m <sup>3</sup> /h	kPa	kW	dB(A)
AWSN-41C-044M	44	8	23		47	37	6	16		42
AWSN-41D-051M	51	9	38	1,94	48	41	7	26	1,21	43
AWSN-41E-054M	54	9	31		50	43	7	20		44
AWSN-42C-090M	90	16	33		50	74	13	23		45
AWSN-42D-102M	102	18	34	3,88	51	82	14	23	2,42	46
AWSN-42E-108M	108	19	26		53	85	15	17		47
AWSN-43C-135M	135	24	36		52	111	19	25		46
AWSN-43D-154M	154	27	43	5,82	53	124	22	29	3,63	48
AWSN-43E-163M	163	28	37		54	129	22	24		49
AWSN-44C-181M	181	32	42		53	150	26	30		48
AWSN-44D-205M	205	36	37	7,76	54	165	29	26	4,84	49
AWSN-44E-217M	217	38	34		56	171	30	22		50

Room (environment) temperature = 25 °C. Water inlet T = 40 °C. Water outlet T = 35 °C.

### AWSB series - Ø 800 mm fans - low noise fans

Type	~ 400v/50 Hz Connection Δ					~ 400v/50 Hz Connection Y				
	Capacity	Mass flow	Pressure drop	Power consumption	Sound	Capacity	Mass flow	Pressure drop	Power consumption	Sound
	kW	m <sup>3</sup> /h	kPa	kW	dB(A)	kW	m <sup>3</sup> /h	kPa	kW	dB(A)
AWSB-41C-035M	35	6	29	0,83	39	30	5	22	0,50	34
AWSB-41D-039M	39	7	23	0,83	40	32	6	17	0,50	35
AWSB-41E-040M	40	7	18	0,83	41	33	6	13	0,50	36
AWSB-42C-070M	70	12	31	1,66	42	60	10	24	1,00	37
AWSB-42D-077M	77	14	21	1,66	43	65	11	15	1,00	38
AWSB-42E-081M	81	14	15	1,66	44	66	12	11	1,00	39
AWSB-43C-106M	106	18	34	2,94	44	91	16	26	1,50	39
AWSB-43D-117M	117	20	26	2,49	45	98	17	19	1,50	40
AWSB-43E-122M	123	21	22	2,49	46	100	17	15	1,50	41
AWSB-44C-140M	140	24	27	3,32	45	120	21	20	2,00	40
AWSB-44D-155M	155	27	22	3,32	46	130	23	17	2,00	41
AWSB-44E-162M	162	28	20	3,32	47	133	23	14	2,00	42

Room (environment) temperature = 25 °C. Water inlet T = 40 °C. Water outlet T = 35 °C.

#### Get In Touch

Call: [0845 6880112](tel:08456880112)  
 Email: [info@adremit.co.uk](mailto:info@adremit.co.uk)

#### Our Address

Puravent, Adremit Limited, Unit 5a, Commercial Yard,  
 Settle, North Yorkshire, BD24 9RH



## AWSN series - Ø 910 mm fans - standard version

Type	~ 400v/50 Hz Connection Δ					~ 400v/50 Hz Connection Y				
	Capacity kW	Mass flow m <sup>3</sup> /h	Pressure drop kPa	Power consumption kW	Sound dB(A)	Capacity kW	Mass flow m <sup>3</sup> /h	Pressure drop kPa	Power consumption kW	Sound dB(A)
AWSN-51C-71L	71	12	20		49	59	10	14		43
AWSN-51D-81L	81	14	18	2,48	49	66	11	12	1,57	43
AWSN-51F-90L	90	16	14		49	72	12	9		44
AWSN-52C-142L	142	25	20		52	118	21	14		46
AWSN-52D-162L	162	28	19	4,96	52	132	23	13	3,14	46
AWSN-52F-181L	181	31	17		52	144	25	11		47
AWSN-53C-221L	221	38	52		53	184	32	38		48
AWSN-53D-251L	251	44	43	7,44	54	205	35	30	4,71	48
AWSN-53F-279L	279	48	32		54	223	39	21		49
AWSN-54C-262L	262	46	61		55	223	39	46		49
AWSN-54D-308L	308	53	51	9,92	55	259	45	37	6,28	49
AWSN-54F-365L	365	63	37		55	299	52	26		49
AWSN-55C-333L	333	58	114		56	283	49	86		50
AWSN-55D-391L	391	68	94	12,4	56	328	57	69	7,85	50
AWSN-55F-462L	462	80	68		56	378	66	47		50
AWSN-56F-560L	560	97	111	14,88	56	457	79	77	9,42	51

Room (environment) temperature = 25 °C. Water inlet T = 40 °C. Water outlet T = 35 °C.

## Get In Touch

Call: [0845 6880112](tel:08456880112)  
 Email: [info@adremit.co.uk](mailto:info@adremit.co.uk)

## Our Address

Puravent, Adremit Limited, Unit 5a, Commercial Yard,  
 Settle, North Yorkshire, BD24 9RH