

AWD



Dry coolers

Double row of fans.



For more information, downloads and videos, visit the AWD page on our website

Get In Touch

 Call: 0845 6880112
 Email: info@adremit.co.uk

Our Address

Puravent, Adremit Limited, Unit 5a, Commercial Yard, Settle, North Yorkshire, BD24 9RH





Product features

- Optimized EC fans
- Stainless steel housing
- Multi circuit water connection
- Compact
- Quiet
- Robust
- Economical
- Completely wired up to the terminal box

Dry coolers: Double row of fans

The Mark AWD is a series of Dry Coolers with a double row of fans. Both the standard version and the low-noise version are available in cooling capacities from 163 kW to 763 kW.

The AWD Dry Coolers are compact and robust. They are made of galvanized steel for both horizontal and vertical mounting using the correct kit. The units are equipped with anchor and lifting points for placement.



The chassis and housing are fully protected with a paint layer with a high corrosion resistance that offers maximum weather resistance. The parts are each coated in RAL 9002 prior to assembly.

Mark double row Dry Coolers are equipped with heat exchangers with a copper tube and aluminum fins. They are equipped with a steel threaded connection.

The fans incorporate 3-phase asynchronous external rotor motors with IP54 protection level, class F insulation, with the possibility of connecting them in star or delta, having in this way two speeds of operation.

Adaptation to the most restrictive noise conditions, this range of fan motors is available with a different number of poles.

Get In Touch

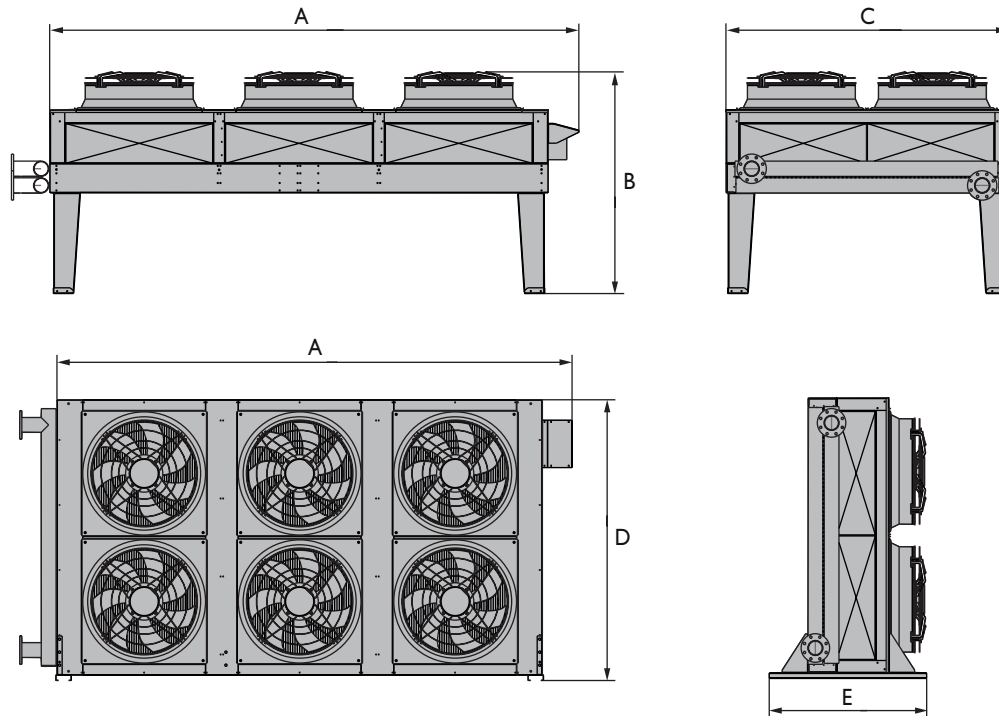
-  Call: [0845 6880112](tel:08456880112)
 Email: info@adremit.co.uk

Our Address

Puravent, Adremit Limited, Unit 5a, Commercial Yard,
Settle, North Yorkshire, BD24 9RH



Dimensions



AWDN series - Ø 800 mm fans - standard version

Type	Number of fans	Surface m ²	Internal volume dm ³	Connection Ø	A mm	B mm	C mm	D mm	E mm	Weight kg
AWDN-44C-163M		340	45							691
AWDN-44D-184M	4	453	60	3"	2775	1660	2120	2160	1215	732
AWDN-44E-194M		566	74							772
AWDN-46C-245M		509	67							1145
AWDN-46D-276M	6	680	90	4"	3975	1660	2120	2160	1215	1265
AWDN-46E-293M		850	112							1385
AWDN-48C-330M		680	90							1263
AWDN-48D-368M	8	907	119	4"	8175	1660	2120	2160	1215	1345
AWDN-48E-391M		1133	149							1425

Get In Touch

 Call: [0845 6880112](tel:08456880112)
 Email: info@adremit.co.uk

Our Address

Puravent, Adremit Limited, Unit 5a, Commercial Yard,
Settle, North Yorkshire, BD24 9RH



AWDB series - Ø 800 mm fans - low noise fans

Type	Number of fans	Surface m ²	Internal volume dm ³	Connection Ø	A mm	B mm	C mm	D mm	E mm	Weight kg
AWDB-44C-130M		340	45							670
AWDB-44D-141M	4	453	60	3"	2775	1660	2120	2160	1215	712
AWDB-44E-145M		566	74							752
AWDB-46C-195M		509	67							1115
AWDB46D-211M	6	680	90	4"	3975	1660	2120	2160	1215	1235
AWDB-46E-219M		850	112							1355
AWDB-48C-259M		680	90							1223
AWDB-48D-281M	8	907	119	4"	8175	1660	2120	2160	1215	1305
AWDB-48E-293M		1133	149							1385

AWDN series - Ø 910 mm fans - standard version

Type	Number of fans	Surface m ²	Internal volume dm ³	Connection Ø	A mm	B mm	C mm	D mm	E mm	Weight kg
AWDN-54C-244L		542	71							912
AWDN-54D-276L	4	723	95	3"	3975	1761	2246	2287	1275	977
AWDN-54F-304L		1085	143							1107
AWDN-56C-379L		814	107							1311
AWDN-56D-428L	6	1085	143	4"	5775	1761	2246	2287	1275	1407
AWDN-56F-470L		1628	214							1599
AWDN-58C-431L		1157	132							1633
AWDN-58D-510L	8	1542	177	4"	7575	1761	2246	2287	1275	1746
AWDN-58F-602L		2314	265							1972
AWDN-510D-647L		1928	221							2140
AWDN-510F-763L	10	2892	332	4"	9375	1761	2246	2287	1275	2422

Get In Touch

 Call: [0845 6880112](tel:08456880112)
 Email: info@adremit.co.uk

Our Address

Puravent, Adremit Limited, Unit 5a, Commercial Yard,
Settle, North Yorkshire, BD24 9RH



Technical information

AWDN series - Ø 800 mm fans - standard version

Type	~ 400v/50 Hz Connection Δ					~ 400v/50 Hz Connection Y				
	Capacity	Mass flow	Pressure drop	Power consumption	Sound	Capacity	Mass flow	Pressure drop	Power consumption	Sound
	kW	m ³ /h	kPa	kW	dB(A)	kW	m ³ /h	kPa	kW	dB(A)
AWDN-44C-163M	163	28	37		54	134	23	26		49
AWDN-44D-184M	184	32	42	7,76	56	148	26	29	4,84	50
AWDN-44E-194M	194	34	34		57	153	27	22		52
AWDN-46C-245M	245	43	36		56	201	35	25		50
AWDN-46D-276M	276	48	39	11,64	57	222	39	26	7,26	52
AWDN-46E-293M	293	51	38		59	230	40	25		53
AWDN-48C-330M	330	57	51		57	271	47	36		52
AWDN-48D-368M	368	64	40	15,52	59	296	52	27	9,68	53
AWDN-48E-391M	391	68	45		60	308	54	29		55

Room (environment) temperature = 25 °C. Water inlet T = 40 °C. Water outlet T = 35 °C.

AWDB series - Ø 800 mm fans - low noise fans

Type	~ 400v/50 Hz Connection Δ					~ 400v/50 Hz Connection Y				
	Capacity	Mass flow	Pressure drop	Power consumption	Sound	Capacity	Mass flow	Pressure drop	Power consumption	Sound
	kW	m ³ /h	kPa	kW	dB(A)	kW	m ³ /h	kPa	kW	dB(A)
AWDB-44C-130M	130	23	36		46	111	19	27		40
AWDB-44D-141M	141	24	26	3,32	48	116	20	18	2	42
AWDB-44E-145M	145	25	21		49	118	21	14		43
AWDB-46C-195M	195	34	37		47	167	29	28		42
AWDB-46D-211M	211	37	24	4,98	49	174	30	17	3	44
AWDB-46E-219M	219	38	23		51	178	31	16		45
AWDB-48C-259M	259	45	33		49	222	39	25		43
AWDB-48D-281M	281	49	25	6,64	51	232	40	18	4	45
AWDB-48E-293M	293	51	27		51	238	41	18		46

Room (environment) temperature = 25 °C. Water inlet T = 40 °C. Water outlet T = 35 °C.

AWDN series - Ø 910 mm fans - standard version

Type	~ 400v/50 Hz Connection Δ					~ 400v/50 Hz Connection Y				
	Capacity	Mass flow	Pressure drop	Power consumption	Sound	Capacity	Mass flow	Pressure drop	Power consumption	Sound
	kW	m ³ /h	kPa	kW	dB(A)	kW	m ³ /h	kPa	kW	dB(A)
AWDN-54C-244L	244	42	28		55	204	34	20		49
AWDN-54D-276L	276	47	26	9,92	56	227	39	18	6,28	50
AWDN-54F-304L	304	52	23		58	242	42	15		52
AWDN-56C-379L	379	65	65		57	316	54	47		51
AWDN-56D-428L	428	74	52	14,88	57	351	61	37	9,42	52
AWDN-56F-470L	470	81	36		59	374	64	24		54
AWDN-58C-431L	431	74	84		58	371	64	65		52
AWDN-58D-510L	509	88	74	19,84	58	432	75	55	12,56	52
AWDN-58F-602L	602	104	59		59	494	85	41		54
AWDN-510D-647L	646	112	136		59	547	95	101		53
AWDN-510F-763L	763	132	105	24,8	60	626	108	73	15,7	55

Room (environment) temperature = 25 °C. Water inlet T = 40 °C. Water outlet T = 35 °C.

Get In Touch

Call: [0845 6880112](tel:08456880112)
Email: info@adremit.co.uk

Our Address

Puravent, Adremit Limited, Unit 5a, Commercial Yard,
Settle, North Yorkshire, BD24 9RH