



16" QUIET HIGH PERFORMANCE OSCILLATING PEDESTAL FAN

MODEL NOS: **SFF16Q**

Thank you for purchasing a Sealey product. Manufactured to a high standard, this product will, if used according to these instructions, and properly maintained, give you years of trouble free performance.

IMPORTANT: PLEASE READ THESE INSTRUCTIONS CAREFULLY. NOTE THE SAFE OPERATIONAL REQUIREMENTS, WARNINGS & CAUTIONS. USE THE PRODUCT CORRECTLY AND WITH CARE FOR THE PURPOSE FOR WHICH IT IS INTENDED. FAILURE TO DO SO MAY CAUSE DAMAGE AND/OR PERSONAL INJURY AND WILL INVALIDATE THE WARRANTY. KEEP THESE INSTRUCTIONS SAFE FOR FUTURE USE.



Refer to instructions

1. SAFETY

1.1. ELECTRICAL SAFETY

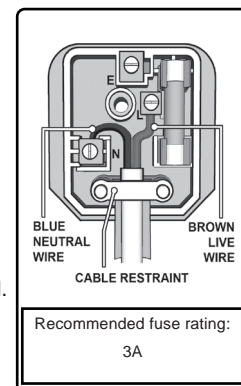
- WARNING!** It is the user's responsibility to check the following:
Check all electrical equipment and appliances to ensure that they are safe before using. Inspect power supply leads, plugs and all electrical connections for wear and damage. Sealey recommend that an RCD (Residual Current Device) is used with all electrical products. You may obtain an RCD by contacting your local Sealey stockist.
If the product is used in the course of business duties, it must be maintained in a safe condition and routinely PAT (Portable Appliance Test) tested.
Electrical safety information, it is important that the following information is read and understood.
- 1.1.1. Ensure that the insulation on all cables and on the appliance is safe before connecting it to the power supply.
- 1.1.2. Regularly inspect power supply cables and plugs for wear or damage and check all connections to ensure that they are secure.
- 1.1.3. **IMPORTANT:** Ensure that the voltage rating on the appliance suits the power supply to be used and that the plug is fitted with the correct fuse - see fuse rating in these instructions.
 - * **DO NOT** pull or carry the appliance by the power cable.
 - * **DO NOT** pull the plug from the socket by the cable. Remove the plug from the socket by maintaining a firm grip on the plug.
 - * **DO NOT** use worn or damaged cables, plugs or connectors. Ensure that any faulty item is repaired or replaced immediately by a qualified electrician.
- 1.1.4. This product is fitted with a BS1363/A 13 Amp 3 pin plug.
If the cable or plug is damaged during use, switch the electricity supply and remove from use.
Replace a damaged plug with a BS1363/A 13 Amp 3 pin plug. If in doubt contact a qualified electrician.

Class II products are wired with live (brown) and neutral (blue) only are marked with the Class II symbol;



- A) Connect the BROWN live wire to the live terminal 'L'.
- B) Connect the BLUE neutral wire to the neutral terminal 'N'.
- C) After wiring, check that there are no bare wires and ensure that all wires have been correctly connected.

Ensure that the cable outer sheath extends inside the cable restraint and that the restraint is tight.
DO NOT connect either wire to the earth terminal.



Sealey recommend that repairs are carried out by a qualified electrician.

- 1.1.5. If an extension reel is used it should be fully unwound before connection. A reel with an RCD fitted is preferred since any appliance plugged into it will be protected. The cable core section is important and should be at least 1.5mm², but to be absolutely sure that the capacity of the reel is suitable for this product and for others which may be used in the other output sockets, we recommend the use of 2.5mm² section cable. If extension reel is to be used outdoors, ensure it is marked for outdoor use.
- 1.2. **GENERAL SAFETY**
 - ✓ Disconnect the fan from the mains power when not in use and before servicing or performing any maintenance.
 - ✓ Use the fan in dry areas only. **DO NOT** use in wet or areas with high condensation such as showers, pools etc.
 - WARNING!** If a fan falls into water or other liquid, switch off immediately and disconnect from the electric power supply. **DO NOT** touch the fan until the mains power supply has been disconnected.
 - ✓ Always disconnect the fan from the power supply when moving it from one location to another and ensure fan is stood a level surface.
 - ✓ The fan air flow is powerful. Before use ensure that there is nothing nearby that will be damaged or displaced by the stream of air.
 - ✓ Keep the fan clean and maintained in good condition. For motor service contact an authorised service agent.
 - ✓ Use recommended parts only. Unapproved parts may be dangerous, and will invalidate your warranty.
 - * **DO NOT** operate the fan where there are explosive or flammable gases, fumes or other hazardous substances.
 - * **DO NOT** stand the fan on the power cable.
 - * **DO NOT** insert any objects through the fan guard.
 - * **DO NOT** cover the fan when in use.
 - * **DO NOT** immerse the fan in water or any other liquid.
 - * **DO NOT** allow children to operate the fan.

Get In Touch

Call: 0845 6880112
 Email: info@adremit.co.uk

Our Address

Puravent, Adremit Limited, Unit 5a, Commercial Yard,
Settle, North Yorkshire, BD24 9RH

- × **DO NOT** stand the fan where it may be knocked over or off a surface, or where the lead may cause a person to trip.
 - × **DO NOT** use the fan outdoors.
 - × **DO NOT** modify speed control or attempt to fit any additional external speed control device to the fan.
 - ✓ When not in use place the fan in its original box, or otherwise cover, to protect from dust and store in a safe, dry, childproof location.
- NOTE:** This appliance can be used by children aged from 8 years and above and persons with reduced physical, sensory or mental capabilities or lack of experience and knowledge if they have been given supervision or instruction concerning use of the appliance in a safe way and understand the hazards involved. Children shall not play with the appliance. Cleaning and user maintenance shall not be made by children without supervision.

2. INTRODUCTION

High performance stand fan with advanced aerodynamic blades for maximum air movement. Quiet operation and high durability motor. 5-carefully programmed modes which include - Sleep/Calm/Refresh/Cool/Power. Offers quiet oscillation and adjustable fan head allowing great airflow in any room. Additional features include an 8hr timer, Auto-dimming LED control panel and fully functional remote control and remote storage. Metal grill and height adjustment up to 1.4m (55"). Ideal for home, bedroom and office environments. Weighted base for extra stability and easy-to-assemble, tool free.

3. SPECIFICATION

Model No:	SFF16Q
Fan Diameter:	Ø400mm(16")
Speeds:	5
Speed Range:	600/700/800/900/1000rpm
Power:	50W
Supply:	230V~50Hz
Maximum Flow Rate (F):	57.42 m ³ /min
Fan Power Input (P):	41.7W
Service Value (SV):	1.38 (m ³ /min)/W
Standby Power Consumption (Psb):	0.16W
Seasonal Electrical Consumption (Q):	16.2kWh/a
Fan Sound Power Level (Lwa):	53dB(A)
Maximum Air Velocity (c):	2.9m/s

4. ASSEMBLY

- 4.1. Fix mounting column (fig.1.3) securely to the base (fig.1.2) using the locking mechanism (fig.1.1).
- 4.2. Place the motor assembly (fig.1.5) onto the mounting column (fig.1.3) and secure in place using the locking ring (fig.1.4).
- 4.3. Place the rear grill (fig.1.6) onto the motor housing and align it with the three raised knobs on motor housing.
- 4.4. Secure the grill in place using the mounting nut supplied (fig.1.7).
- 4.5. Align the fan blade with the motor drive shaft and secure in place using the retaining nut (fig.1.8). Tighten the nut in an anticlockwise direction as it has a left hand thread.
- 4.6. Press the front cover onto the rear cover such they clip together.
- 4.7. Place the fastening clip (fig.1.9) around the join line of the two covers and tighten in place using the screw clip at the base of the fan guard.

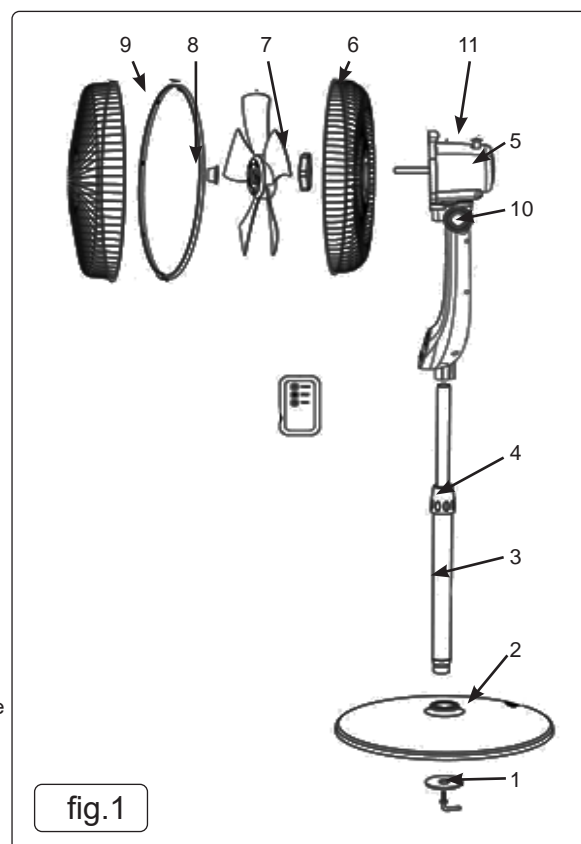


fig.1

5. OPERATION

- 5.1. Ensure that the fan is switched off before connecting the electrical supply.
- 5.2. To turn the fan on, press the power on/off control button (fig.2.1).
- 5.3. To select fan speed, press the speed control button (fig.2.2). To cycle through the 5 speed settings, press the button repeatedly. The selected speed will be illuminated (fig.2.5).
- 5.4. To select auto-off time, press the timer button (fig.2.3). Press once for 1 hour, twice for 2 hours, three times for 4 hours and four times for 8 hours. The selected time will be illuminated (fig.2.4). The final press will turn off the timer.
- 5.5. To engage the oscillation feature, depress the knob (fig.1.11) on the top of the motor unit. To disengage the feature, raise the knob.
- 5.6. The angle of tilt of the fan can be adjusted by loosening the clamp (fig.1.10).
- 5.7. The height of the fan can be adjusted by loosening the locking ring (fig.1.4).
- 5.8. The remote control requires 3 AAA batteries (not supplied). All functions work identically to the manual controls.



fig.2

Get In Touch

Call: 0845 6880112
Email: info@adremit.co.uk

Our Address

Puravent, Adremit Limited, Unit 5a, Commercial Yard,
Settle, North Yorkshire, BD24 9RH

6. MAINTENANCE

WARNING: Turn the fan **OFF** and disconnect from power supply before cleaning.

- 6.1. Use only a soft, damp cloth to clean the fan.
 - × **DO NOT** immerse the fan in water and **NEVER** allow water to drip into the motor housing.
 - × **DO NOT** use solvents or other chemicals to clean the fan.
- 6.2. To clean the fan blades, remove front guard by reversing the procedure in sections 4.6 and 4.7. Clean, then reassemble front guard.
- 6.3. When not in use, place the fan in its original box or otherwise cover to protect from dust and store in a safe, dry childproof location



ENVIRONMENT PROTECTION

Recycle unwanted materials instead of disposing of them as waste. All tools, accessories and packaging should be sorted, taken to a recycling centre and disposed of in a manner which is compatible with the environment. When the product becomes completely unserviceable and requires disposal, drain any fluids (if applicable) into approved containers and dispose of the product and fluids according to local regulations.



WEEE REGULATIONS

Dispose of this product at the end of its working life in compliance with the EU Directive on Waste Electrical and Electronic Equipment (WEEE). When the product is no longer required, it must be disposed of in an environmentally protective way. Contact your local solid waste authority for recycling information.

Note: It is our policy to continually improve products and as such we reserve the right to alter data, specifications and component parts without prior notice.

Important: No Liability is accepted for incorrect use of this product.

Warranty: Guarantee is 12 months from purchase date, proof of which is required for any claim.

Sealey Group, Kempson Way, Suffolk Business Park, Bury St Edmunds, Suffolk. IP32 7AR



01284 757500



01284 703534



sales@sealey.co.uk



www.sealey.co.uk

Get In Touch



Call: 0845 6880112



Email: info@adremit.co.uk

Our Address

Puravent, Adremit Limited, Unit 5a, Commercial Yard,
Settle, North Yorkshire, BD24 9RH