



## APPLICATIONS

The over door heater is designed for use above frequently opened doors, to limit the loss of heated air and the ingress of cold air. Typical installations include shops, entrance halls, and workshop/warehouse doors. The fully adjustable bracket also allows the use of the over door heater for general space heating applications where a high level heater is required.

## FEATURES

- 3kW, 4.5kW, 6kW and 9kW units available
- Adjustable bracket for wall or ceiling mounting
- Alternative keyhole fixing for secure installation
- Integral switches for heat selection and fan only
- Optional remote switch unit (ODH-RSW)
- Pre-connected cable for ease of installation (ODH-3000 and ODH-4500 only)
- ODH-9000 for 400V 3PN or 230V



## OPTIONS

- Grey textured powder coating (RAL7035)
- Brushed stainless steel
- Copper bronze textured powder coating

## CONTROL



**TEMPERATURE** Control is via rocker switches next to the outlet grille.

**ODH-3000** Switch for fan only, and switches for 1kW, 2kW with both for 3kW.

**ODH-3000R** Switches for 1kW, 2kW with both for 3kW. The ODH-RSW remote switch can be connected to give on/off fan only and heat selection.

**ODH-4500** Fan only control is achieved by switching of the main power supply switch. Switches for 2.25kW and 2.25kW, both giving 4.5kW.

### Get In Touch

 Call: [0845 6880112](tel:08456880112)  
 Email: [info@adremit.co.uk](mailto:info@adremit.co.uk)

### Our Address

Puravent, Adremit Limited, Unit 5a, Commercial Yard,  
Settle, North Yorkshire, BD24 9RH

- ODH-4500R** Switches for 2.25kW and 2.25kW, both giving 4.5kW. The ODH-RSW remote switch can be connected to give on/off fan only and heat selection.
- ODH-6000** Switches for fan only 3kW and 3kW both giving 6kW. The ODH-RSW remote switch can be connected to give on/off fan only and heat selection.
- ODH-9000** Switches for fan only 4.5kW and 4.5kW and both giving 9kW. The ODH-RSW remote switch can be connected to give on/off fan only and heat selection.

The ODH-3000 and ODH-4500 can be controlled by remote thermostat and/or time controller of suitable rating connected in the main supply line. The ODH-6000 and ODH-9000 can be controlled by remote thermostat and/or time controller of suitable rating in the heat control circuit.

## INSTALLATION

For optimum effect the heater should be mounted as close as possible to the top of the doorway. The maximum recommended mounting height is 2.3m for 3kW and 2.8m for 4.5kW, 6kW and 9kW units. Multiple units mounted side by side can be used for wider doorways.

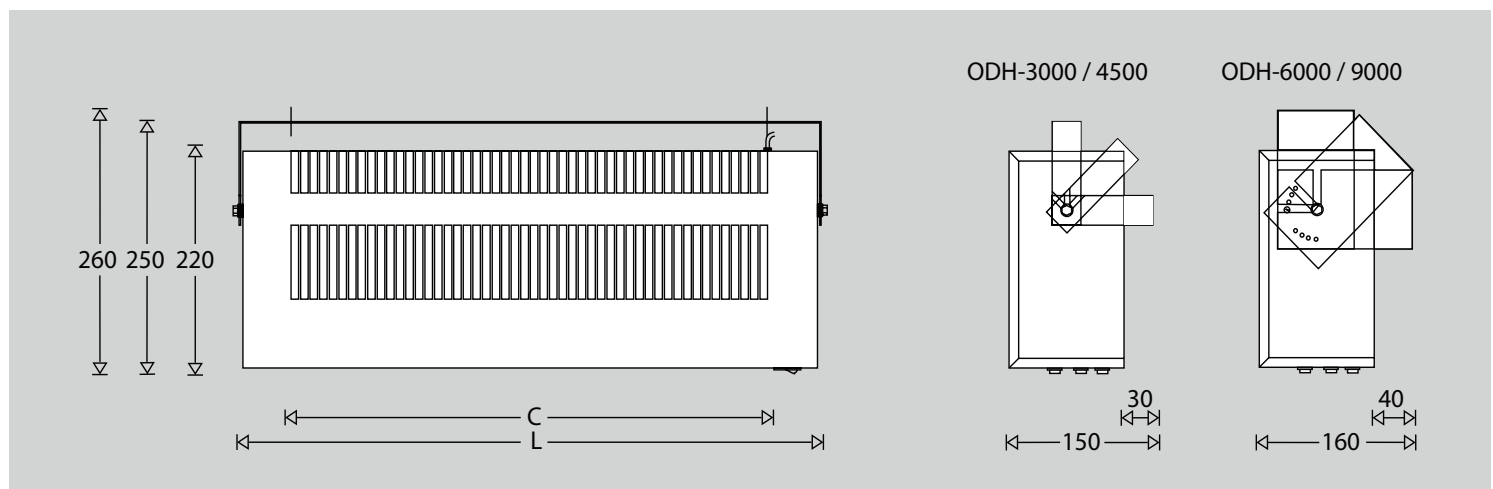
The unit should be securely fixed using the keyhole slots in the back of the unit or the adjustable mounting bracket. The mounting brackets allow easy wall or ceiling mounting.

To reduce the ingress of cold air from a constantly opening door the unit should be directed down. To contribute to the general space heating of the area the unit should be directed at an angle into the area.

ODH-3000 and ODH-4500 are supplied with a pre-connected cable for quick connection, the ODH-3000R, ODH-4500R, ODH-6000 and ODH-9000 are supplied with a cable grip gland or can be connected by conduit if preferred.

The 3kW should be connected to a suitably fused power supply. The 4.5kW, 6kW and 9kW must be connected directly to the power distribution board. Connection should be via a 2 pole switched connection unit having a contact separation of at least 3mm in all poles.

All electrical connections should be made by a suitably qualified person in accordance with the latest edition of the IEE Requirements for Electrical Installation (BS 7671:2008).



CAT No.		Watts	Volts	Length (L) mm	Fixing (C) mm	Height mm	Depth mm	Weight kgs	
Light Grey									
ODH-3000	Integral switches	3000	230	600	505	220	120	5.0	
ODH-3000R	For remote switching	3000	230	600	505	220	120	5.0	
ODH-4500	Integral switches	4500	230	600	505	220	120	5.0	
ODH-4500R	For remote switching	4500	230	600	505	220	120	5.0	
ODH-6000	Integral and remote switching	6000	230	850	800	220	120	12.0	
ODH-9000	Integral and remote switching	9000	400	1235	1185	220	120	15.0	

ALSO AVAILABLE IN STAINLESS STEEL OR BRONZE (SUPPLEMENT APPLIES PLEASE CONTACT OUR CUSTOMER SERVICES TEAM FOR DETAILS)

ODH-RSW Remote switch unit (hard wired) required for remote switching

### Get In Touch

Call: 0845 6880112  
Email: [info@adremit.co.uk](mailto:info@adremit.co.uk)

### Our Address

Puravent, Adremit Limited, Unit 5a, Commercial Yard, Settle, North Yorkshire, BD24 9RH