

Ideal for heating tall or poorly insulated buildings

The INFRA HT offers the option of heating without displacing air. In addition, heat reaches only the location where it is required. The short warming-up period and the lower room temperature can yield good energy savings. Savings can be as high as 40%.

The INFRA HT uses an open ceramic burner for heating. This emits a high level of heat over a relatively small surface area. This high concentration of heat enables these units to be located in tall buildings.

As this unit uses open combustion, ventilation within the room must be considered. The room may be ventilated with the Mark MDV BLUE, for example – see page 102.

Mark supplies the INFRA HT in 9 different capacities with the length of the unit increasing as the capacity increases.

The Infra HT and the HT Eco have the same output. The HT has a very high radiant efficiency and a competitive price. The HT Eco has a good performance and a very competitive price.

Possible applications include: construction halls, production facilities, aircraft hangars and stadium grandstands or other open spaces.



The benefits of radiant heating include:

- Short warm-up time
- High floor temperature
- Silent
- No air movement
- Low energy consumption
- “Zone” heating
- Heat only where needed

 Remote connection possible with the PinTherm Infra Connect!

mark®

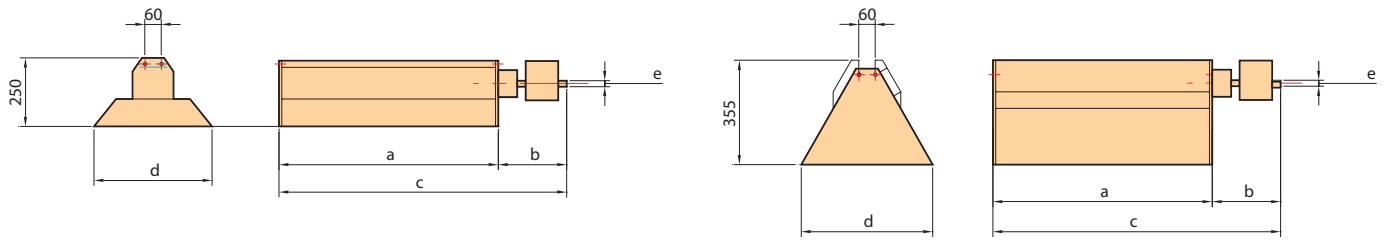
Get In Touch

 Call: 0845 6880112
 Email: info@adremit.co.uk

Our Address

Puravent, Adremit Limited, Unit 5a, Commercial Yard,
Settle, North Yorkshire, BD24 9RH

Dimensions



Type	a (mm)	b (mm)	c (mm)	d (mm)	e (inch/zoll)
Infra HT 4.2 eco	420	250	670	370	1/2"
Infra HT 6.2 eco	605	250	855	370	1/2"
Infra HT 8.2 eco	790	250	1040	370	1/2"
Infra HT 10.2 eco	975	250	1225	370	1/2"
Infra HT 12.2 eco	1160	250	1410	370	1/2"
Infra HT 16.2 eco	1530	250	1780	370	1/2"
Infra HT 10+10.2 eco	975	300	1275	600	1/2"
Infra HT 12+12.2 eco	1160	300	1460	600	1/2"
Infra HT 16+16.2 eco	1530	300	1830	600	1/2"

Type	a (mm)	b (mm)	c (mm)	d (mm)	e (inch/zoll)
Infra HT 4.2	420	250	670	465	1/2"
Infra HT 6.2	605	250	855	465	1/2"
Infra HT 8.2	790	250	1040	465	1/2"
Infra HT 10.2	980	250	1230	465	1/2"
Infra HT 12.2	1160	250	1410	465	1/2"
Infra HT 16.2	1530	250	1780	465	1/2"
Infra HT 10+10.2	980	300	1280	710	3/4"
Infra HT 12+12.2	1160	300	1460	710	3/4"
Infra HT 16+16.2	1530	300	1830	710	3/4"

Technical information

Infra HT / Infra HT eco		4.2	6.2	8.2	10.2	12.2	16.2	10+10.2	12+12.2	16+16.2
Surface area exposed to radiation	m ²	30-40	35-50	40-65	55-90	60-100	80-110	85-115	95-155	110-180
Nominal load G20 (upper value)	kW	7,2	9,6	16,1	18,3	22,2	34,4	36,6	44,4	68,8
Nominal load G20 (lower value)	kW	6,5	8,6	14,5	16,5	20,0	31,0	33,0	40,0	62,0
Nominal load G25 (upper value)	kW	7,2	9,6	16,1	18,3	22,2	34,4	36,6	44,4	68,8
Nominal load G25 (lower value)	kW	6,5	8,6	14,5	16,5	20,0	31,0	33,0	40,0	62,0
Nominal load G30 (upper value)	kW	7,0	9,3	13,5	17,9	21,7	33,6	35,8	43,4	67,2
Nominal load G30 (lower value)	kW	6,5	8,6	12,5	16,5	20,0	31,0	33,0	40,0	62,0
Nominal load G31 (upper value)	kW	7,0	9,3	13,5	17,9	21,7	33,6	35,8	43,4	67,2
Nominal load G31 (lower value)	kW	6,5	8,6	12,5	16,5	20,0	31,0	33,0	40,0	62,0
Gas-regulating unit	n°	1	1	1	1	1	1	2	2	2
Gas consumption G20 (15°C)	m ³ /h	0,69	0,91	1,53	1,75	2,12	3,43	3,50	4,24	6,70
Gas consumption G25 (15°C)	m ³ /h	0,80	1,06	1,78	2,03	2,46	3,75	4,06	4,92	7,50
Gas consumption G30 (15°C)	kg/h	0,51	0,68	0,99	1,30	1,58	2,42	2,60	3,16	4,84
Gas consumption G31 (15°C)	kg/h	0,50	0,67	0,97	1,28	1,55	2,40	2,56	3,10	4,80
Electrical power	W	25	25	25	25	25	25	50	50	50
Ignition	electronic	x	x	x	x	x	x	x	x	x
Electrical connection	230 Volt-50Hz	x	x	x	x	x	x	x	x	x
Weight of HT	kg	13	16	19	21	25	31	37	44	52
Weight of HT eco	kg	8	10	12	14	17	21	29	34	40

The minimum ventilation air volume of the area is 10 m³/h per installed kW.

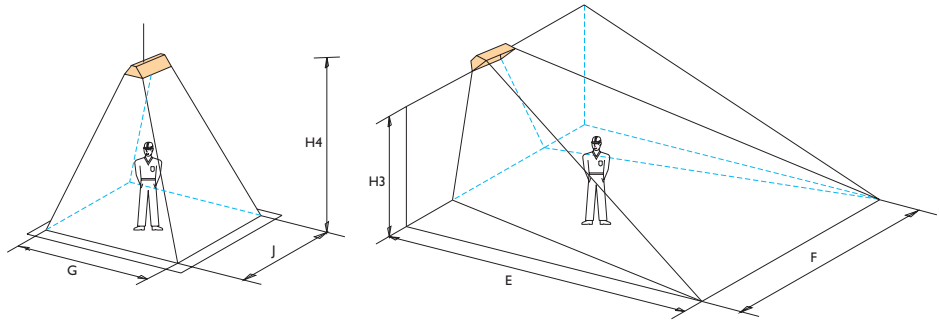
Get In Touch

Call: 0845 6880112
Email: info@adremit.co.uk

Our Address

Puravent, Adremit Limited, Unit 5a, Commercial Yard, Settle, North Yorkshire, BD24 9RH

Assembly/location suggestions



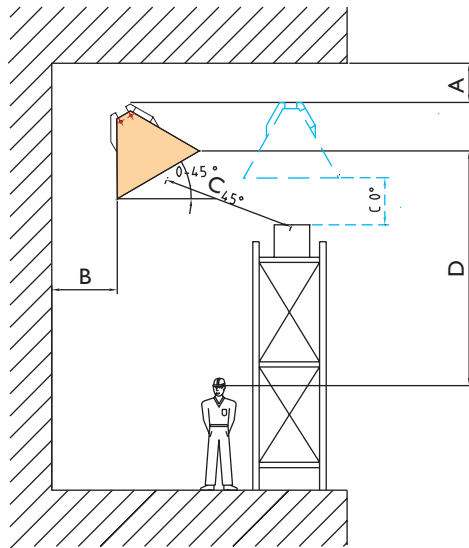
Recommended suspension height for installing high temperature radiators.

(Ceiling 0°)

Infra HT		4.2	6.2	8.2	10.2	12.2	16.2	10+10.2	12+12	16+16.2
H4 min-max	m	2,5-4,5	3,5-6,0	4,0-6,0	5,0-7,0	6,0-8,0	6,0-10,0	8,0-11,0	9,0-14,0	10-18
G	m	4,0	5,0	7,5	8	8,5	9,0	10,0	11,0	12,0
J	m	5,5	7,0	8,0	8,5	9,0	10,0	11,0	12,0	13,0

(Floor 45°)

Infra HT		4.2	6.2	8.2	10.2	12.2	16.2	10+10.2	12+12	16+16.2
H3 min - max	m	2,5-4,0	2,9-5,5	3,9-6,5	4,5-7,0	4,7-8,5	5,1-10,0	5,1-11,0	5,6-14,0	6,0-15,0
E	m	4,0	5,0	7,5	7,8	8,0	8,5	9,0	10,0	12,0
F	m	4,5	6,0	8,0	8,5	9,0	10,0	11,0	12,0	14,0



Minimum distances (ceiling 0°)

Type	A	B	D
HT 4.2	1,0	1,0	2,0
HT 6.2	1,0	1,0	2,5
HT 8.2	1,5	1,5	3,0
HT 10.2	1,5	1,5	3,5
HT 12.2	1,5	2,0	4,0
HT 16.2	1,5	2,0	4,5
HT 10+10.2	2,0	2,5	5,0
HT 12+12.2	1,5	2,5	5,5
HT 16+16.2	2,0	2,5	6,0

Minimum distances (floor 45°)

Type	A (m)	B (m)	C (m)	D 45° - 0° (m)
HT 4.2	1,0	0,5	2,0	2,4 - 3,0
HT 6.2	1,0	0,5	2,0	2,9 - 3,5
HT 8.2	1,5	0,5	2,5	3,9 - 4,5
HT 10.2	1,5	0,5	2,5	4,2 - 4,8
HT 12.2	1,5	0,5	2,5	4,7 - 5,5
HT 16.2	1,5	0,75	3,0	5,1 - 6,0
HT 10+10.2	2,0	0,75	3,0	5,0 - 6,2
HT 12+12.2	1,5	0,75	3,0	5,6 - 6,5
HT 16+16.2	2,0	1,0	3,5	6,0 - 7,1

Gas-fired radiant heaters - 100

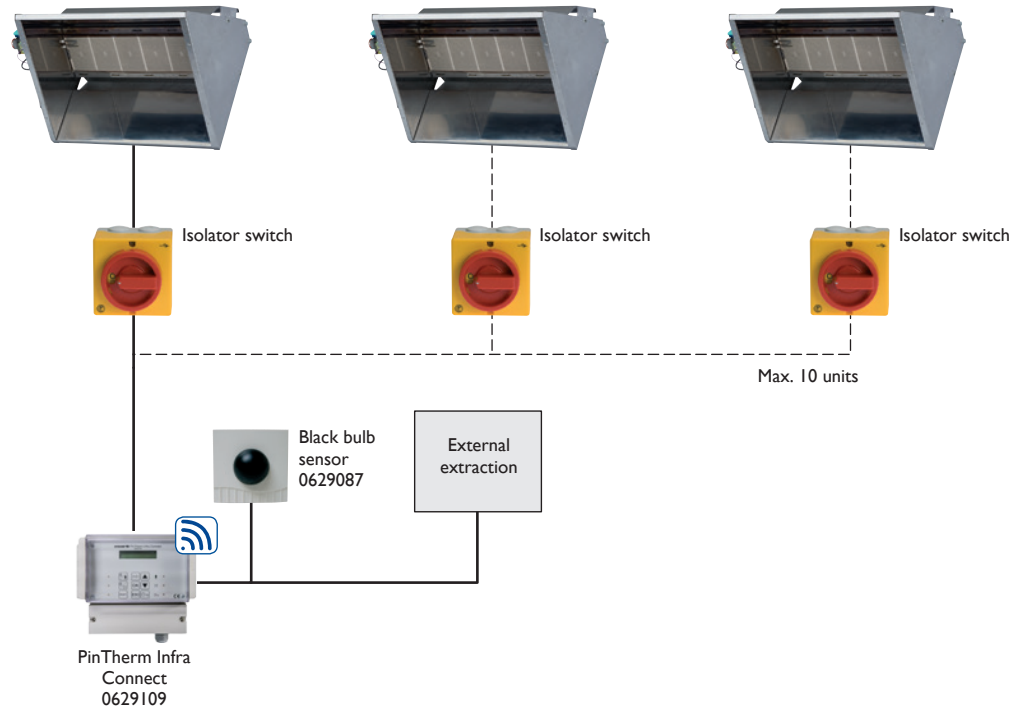
Get In Touch

Call: 0845 6880112
 Email: info@adremit.co.uk



Our Address

Puravent, Adremit Limited, Unit 5a, Commercial Yard, Settle, North Yorkshire, BD24 9RH

Controls



Get In Touch

 Call: [0845 6880112](tel:08456880112)
 Email: info@adremit.co.uk

Our Address

Puravent, Adremit Limited, Unit 5a, Commercial Yard,
Settle, North Yorkshire, BD24 9RH