

# Mark GS+ Spare Parts List



**mark**<sup>®</sup>  
CLIMATE TECHNOLOGY  
FEELS BETTER, WORKS BETTER.

## Get In Touch

 Call: 0845 6880112  
 Email: [info@adremit.co.uk](mailto:info@adremit.co.uk)

## Our Address

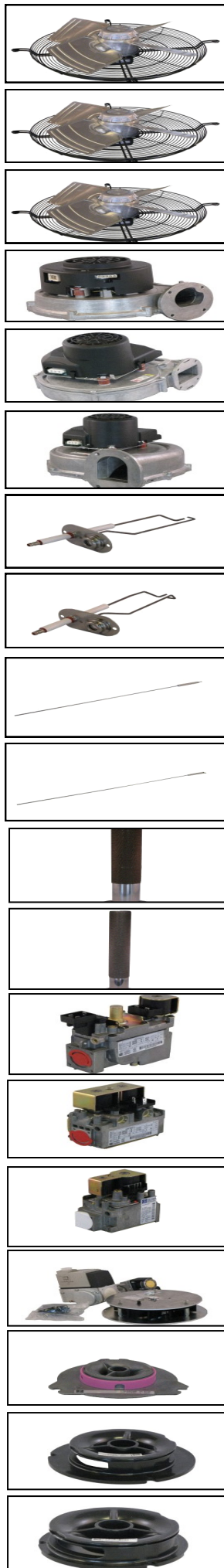
Puravent, Adremit Limited, Unit 5a, Commercial Yard,  
Settle, North Yorkshire, BD24 9RH



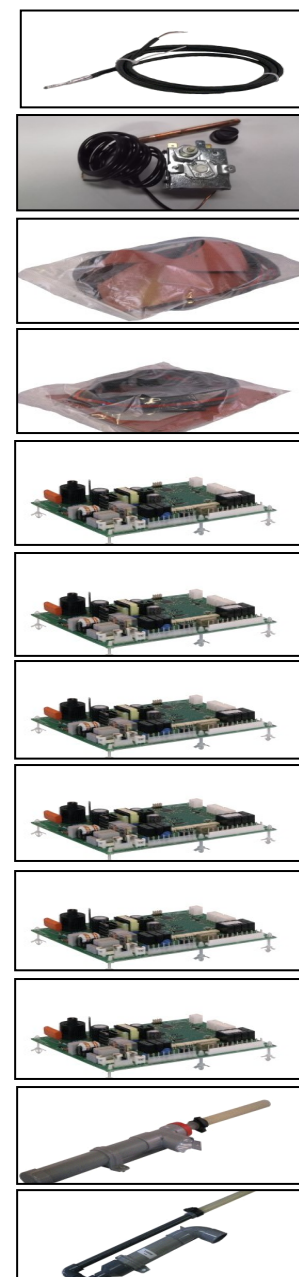
# GS+ Older Units

# GS + Older Units

06 21 665 Axial fan Complete 35, 40 & 80
06 21 663 Fan T300 No Cable
06 21 664 Fan T400 No Cable
06 00 840 Combustion Air Fan G+35/40/60
06 00 842 Combustion Air Fan G 80 & 100
06 00 844 Combustion Air Fan 150-200
06 25 360 Electrode Set G+ 35 to 100
12 90 847 Electrode Set G+ 150 & 200
30 22 403 Condensate Water Sensor G + 35-100
30 22 404 Water Level Sensor G + 150 - 200
06 03 410 Burner L=356 G+ 40,60,80
06 03 415 Burner L=475 G+ 100
06 08 076 Gas Control 822 G + 60 80 100
06 08 083 Gas Control 830 EFD
06 08 094 Gas Control 848 G+ 35/40
06 08 220 Gas Valve With Block G + 150/200
04 01 604 AGM Gas Mixer 35 & 40 kW
04 01 606 AGM Gas Mixer 60-80 kW
04 01 608 AGM Gas Mixer 100 kW



06 29 055 Outlet Temp Sensor G+ 30 150 LF-2
06 29 033 Leak Safe Thermo +35 - 150
19 99 075 Gasket Set G + 35 - 100
19 99 076 Gasket Set G + 150-200
30 03 102 Control Panel Microprocessor G +35
30 03 103 Control Panel Microprocessor G + 40
30 03 104 Control Panel Microprocessor GS + 60
30 03 105 Control Panel Microprocessor G + 80
30 03 106 Control Panel Microprocessor GS + 100
30 03 107 Control Panel Microprocessor G + 150
31 00 599 Siphon Complete GS+ 30 - 100
31 00 595 Siphon Complete GS + 150



## Get In Touch

 Call: 0845 6880112  
 Email: [info@adremit.co.uk](mailto:info@adremit.co.uk)

## Our Address

Puravent, Adremit Limited, Unit 5a, Commercial Yard,  
Settle, North Yorkshire, BD24 9RH



## Overview codenumbers regarding the pre-programmed G(S)+ microprocessor replacementsets.

We changed the description for the older sets and the new sets to clarify to everyone what version of the firmware should be placed in the microprocessor.


Code no.	Description
30 03 102	Microprocessor GS+35 nat.gas/propane for dropshape combustion chamber EBM-fan
30 03 103	Microprocessor GS+40 nat.gas/propane for dropshape combustion chamber EBM-fan
30 03 104	Microprocessor GS+60 nat.gas/propane for dropshape combustion chamber EBM-fan
30 03 105	Microprocessor GS+80 nat.gas/propane for dropshape combustion chamber EBM-fan
30 03 106	Microprocessor GS+100 nat.gas/propane for dropshape combustion chamber EBM-fan
30 03 107	Microprocessor GS+150 nat.gas/propane for dropshape combustion chamber EBM-fan

Code no.	Description
30 03 800	Microprocessor GS+35 nat.gas for round combustion chamber EBM-fan
30 03 801	Microprocessor GS+40 nat.gas for round combustion chamber EBM-fan
30 03 802	Microprocessor GS+60 nat.gas for round combustion chamber EBM-fan
30 03 803	Microprocessor GS+80 nat.gas for round combustion chamber EBM-fan
30 03 804	Microprocessor GS+100 nat.gas for round combustion chamber EBM-fan
30 03 805	Microprocessor GS+150 nat.gas for round combustion chamber EBM-fan

Code no.	Description
30 03 810	Microprocessor GS+35 propane for round combustion chamber EBM-fan
30 03 811	Microprocessor GS+40 propane for round combustion chamber EBM-fan
30 03 812	Microprocessor GS+60 propane for round combustion chamber EBM-fan
30 03 813	Microprocessor GS+80 propane for round combustion chamber EBM-fan
30 03 814	Microprocessor GS+100 propane for round combustion chamber EBM-fan
30 03 815	Microprocessor GS+150 propane for round combustion chamber EBM-fan

Code no.	Description
30 03 820	Microprocessor GS+35 nat.gas for round combustion chamber SIT VLV
30 03 821	Microprocessor GS+40 nat.gas for round combustion chamber SIT VLV
30 03 822	Microprocessor GS+60 nat.gas for round combustion chamber SIT VLV
30 03 823	Microprocessor GS+80 nat.gas for round combustion chamber SIT VLV
30 03 824	Microprocessor GS+100 nat.gas for round combustion chamber SIT VLV
30 03 825	Microprocessor GS+135 nat.gas for round combustion chamber SIT VLV

### Get In Touch

 Call: [0845 6880112](tel:08456880112)  
 Email: [info@adremit.co.uk](mailto:info@adremit.co.uk)

### Our Address

Puravent, Adremit Limited, Unit 5a, Commercial Yard,  
Settle, North Yorkshire, BD24 9RH

30 03 826	Microprocessor GS+150 nat.gas for round combustion chamber EBM-fan
30 03 827	Microprocessor G+200 nat.gas for round combustion chamber EBM-fan
Code no.	Description
30 03 830	Microprocessor GS+35 propane for round combustion chamber SIT VLV
30 03 831	Microprocessor GS+40 propane for round combustion chamber SIT VLV
30 03 832	Microprocessor GS+60 propane for round combustion chamber SIT VLV
30 03 833	Microprocessor GS+80 propane for round combustion chamber SIT VLV
30 03 834	Microprocessor GS+100 propane for round combustion chamber SIT VLV
30 03 835	Microprocessor GS+135 propane for round combustion chamber SIT VLV
30 03 836	Microprocessor GS+150 propane for round combustion chamber EBM-fan
30 03 837	Microprocessor G+200 propane for round combustion chamber EBM-fan

We will include the version of the firmware on the printplate so that everyone can see the version of the firmware used in the microprocessor.

Currently the codenumber and a short description is placed on this sticker, soon we will add the firmware to this as soon as we have the new stickers.

#### Get In Touch



Call: [0845 6880112](tel:08456880112)



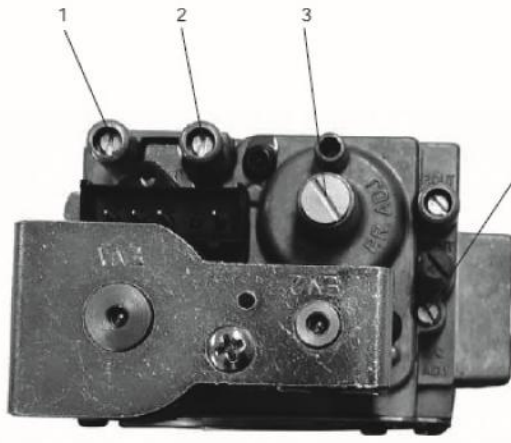
Email: [info@adremit.co.uk](mailto:info@adremit.co.uk)

#### Our Address

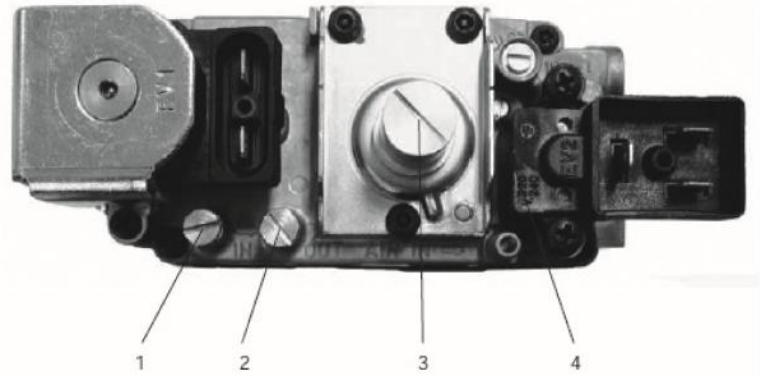
Puravent, Adremit Limited, Unit 5a, Commercial Yard,  
Settle, North Yorkshire, BD24 9RH



[6]



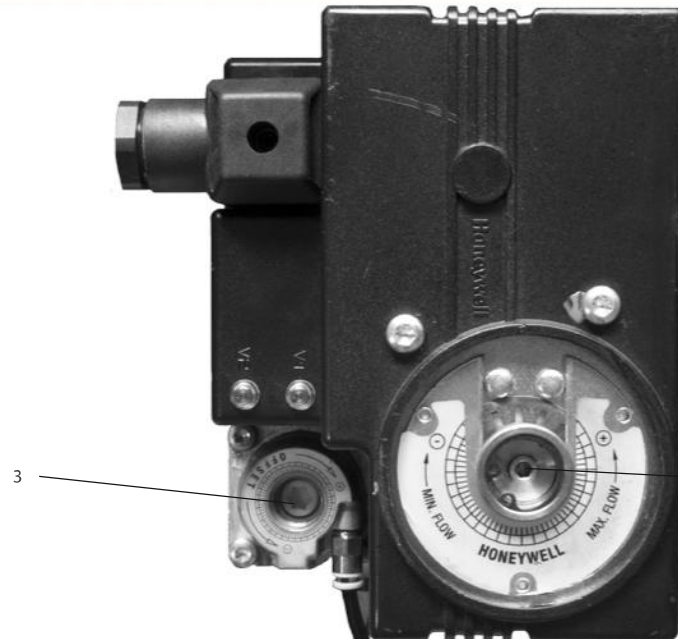
06 08 094 G(S)+ 15, 25, 35, 40



06 08 076 G(S)+ 60, 80, 100, 135



06 08 220 G(S)+ 150



06 08 225 G+ 200

### Get In Touch

Call: 0845 6880112  
Email: [info@adremit.co.uk](mailto:info@adremit.co.uk)

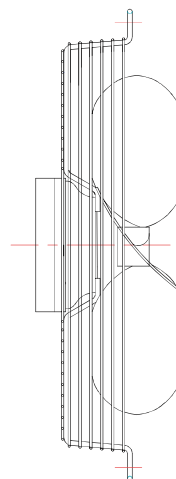
### Our Address

Puravent, Adremit Limited, Unit 5a, Commercial Yard,  
Settle, North Yorkshire, BD24 9RH



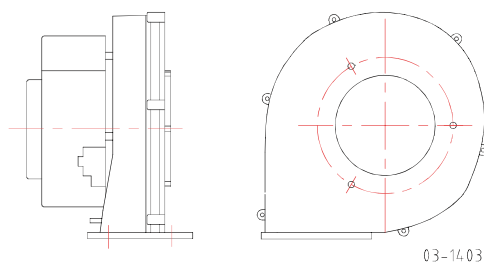
## [7]

T	Code AC	Code EC
15	0621561	0621528
25	0621551	0621528
35/40	0621565	0621530
60	0621563	0621531
80	(2x)0621565	(2x) 0621530
100	(2x) 0621563	(2x) 0621531
135	(2x) 0621564	(2x) 0621532
150	(2x) 0621564	(2x)0621532



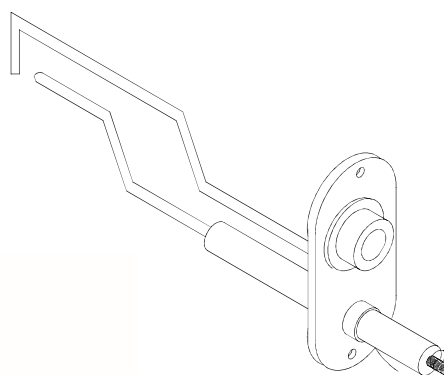
## [8]

T	Code
15/25/35/40	0600830
60/80/100/135	0600831
150	0600844
200	0600832



## [9]

T	Code
15/25/35/40/60/100	0625360
150/200	1290847
200	1290848



### Get In Touch

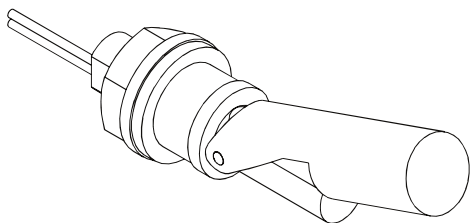
 Call: 0845 6880112  
 Email: [info@adremit.co.uk](mailto:info@adremit.co.uk)

### Our Address

Puravent, Adremit Limited, Unit 5a, Commercial Yard, Settle, North Yorkshire, BD24 9RH



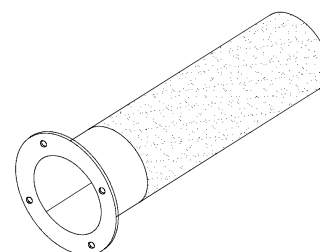
## [10]



T	code
GS+ 135/200	06 29 059

## [11]

T	Code
15/25/35/40	0603405
60/80	0603410
100/150	0603415
135/200	0603420

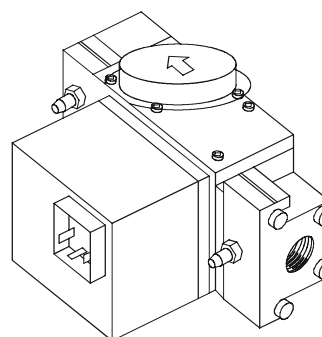
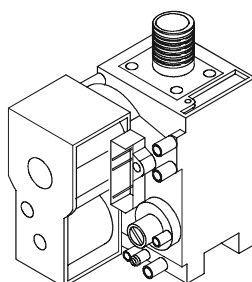
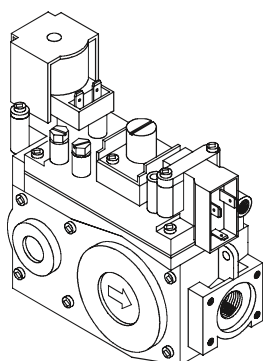


## [12]

T	Code
60/80/ 100/135	0608076
150	0608082 (Bypass)

T	Code
15/25/35/40	0608094

T	Code
150	0608220
200	0608225



### Get In Touch

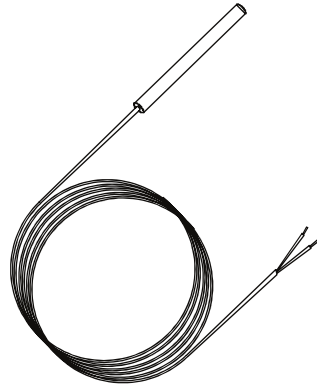
Call: [0845 6880112](tel:08456880112)  
 Email: [info@adremit.co.uk](mailto:info@adremit.co.uk)

### Our Address

Puravent, Adremit Limited, Unit 5a, Commercial Yard,  
 Settle, North Yorkshire, BD24 9RH

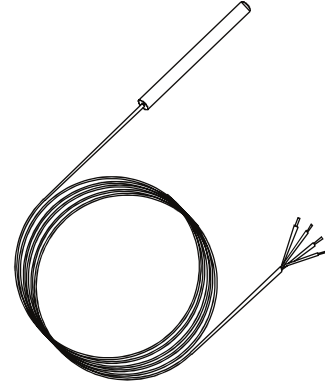


## [13]



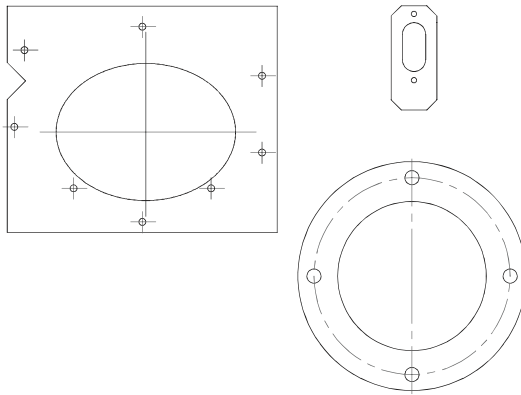
T	Code
15 - 100	0629057
135/150/200	0629058

## [14]



T	Code
15 - 200	0629053

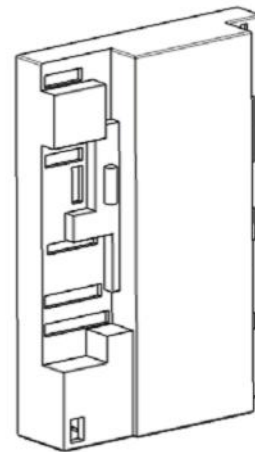
## [15]



T	Code
15/25	1999074
35 - 100	1999075
135/150/200	1999076

## [16]

T	Code G20/G25	Code G30/G31
15	3003840	3003850
25	3003841	3003851
35	3003842	3003852
40	3003843	3003853
60	3003844	3003854
80	3003845	3003855
100	3003846	3003856
135	3003847	3009857
150	3003848	3003858
200	3003849	3003859



### Get In Touch

Call: 0845 6880112  
 Email: [info@adremit.co.uk](mailto:info@adremit.co.uk)

### Our Address

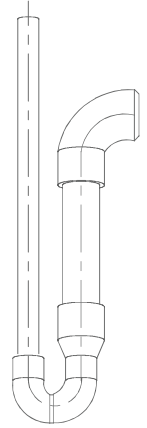
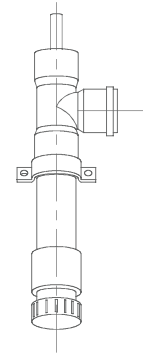
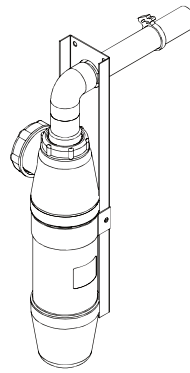
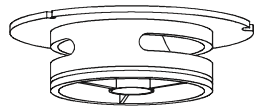
Puravent, Adremit Limited, Unit 5a, Commercial Yard,  
 Settle, North Yorkshire, BD24 9RH





[17]

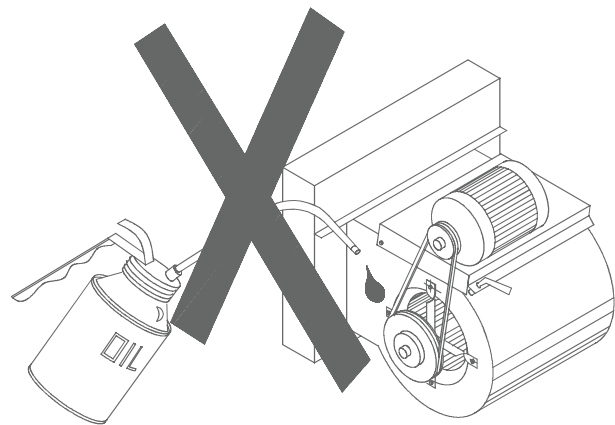
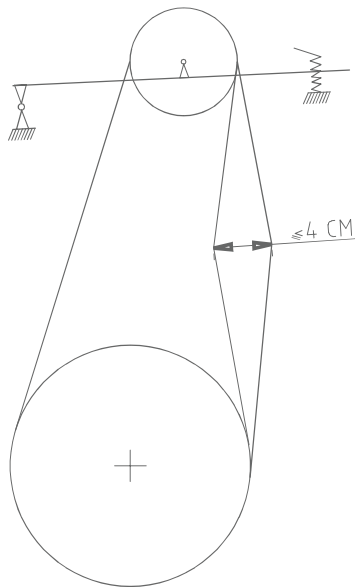
[18]





T	Code
15/25	0401602
35/40	0401604
60/80	0401614
100/135	0401615
150	0401612
200	0401620

T	Code
15/25	3100575
35 - 100	3100599
135 - 200	3100595

[19]



### Get In Touch

 Call: 0845 6880112  
 Email: [info@adremit.co.uk](mailto:info@adremit.co.uk)

### Our Address

Puravent, Adremit Limited, Unit 5a, Commercial Yard, Settle, North Yorkshire, BD24 9RH