

INDUSTRIAL DEHUMIDIFIER



EPD170LGR

- **MANUAL**
compressor dehumidifier
- **MODE D'EMPLOI**
déshumidificateur à compresseur
- **MANUAL DE USUARIO**
deshumidificador de compresor
- **GEBRAUCHSANLEITUNG**
Kompressor-Luftentfeuchter
- **GEBRUIKSAANWIJZING**
compressor luchtontvochtiger

ECOR PRO

USA
CAN



UK
EU



Get In Touch

Call: 0845 6880112

Email: info@adremit.co.uk

Our Address

Puravent, Adremit Limited, Unit 5a, Commercial Yard,
Settle, North Yorkshire, BD24 9RH

CONTENTS

English

- Introduction
- * How the unit works
- General and Safety
- Installation
- Operation and settings
- Code message
- Cleaning and Maintenance
- Trouble shooting
- Technical specifications

Deutsch

- Einführung
- Funktionsweise des Geräts
- Allgemeines und Sicherheit
- Installation
- Bedienung und Einstellungen
- Code-Meldung
- Reinigung und Wartung
- Fehlersuche
- Technische Daten

Français

- Introduction
- Fonctionnement de l'appareil
- Généralités et sécurité
- Installation
- Fonctionnement et réglages
- Message de code
- Nettoyage et entretien
- Dépannage
- Spécifications techniques

Nederlands

- Introductie
- Hoe het apparaat werkt
- Algemeen en veiligheid
- Installatie
- Het gebruik en instellingen
- Foutmeldingen
- Schoonmaken en onderhoud
- Fout oplossingen
- Technische specificaties

Espanol

- Introducción
- Cómo funciona la unidad
- Generalidades y seguridad
- Instalación
- Funcionamiento y ajustes
- Mensaje de código
- Limpieza y mantenimiento
- Solución de problemas
- Especificaciones técnicas



Get In Touch



Call: [0845 6880112](tel:08456880112)



Email: info@adremit.co.uk

Our Address

Puravent, Adremit Limited, Unit 5a, Commercial Yard,
Settle, North Yorkshire, BD24 9RH

PROFESSIONAL (BUILDING) DEHUMIDIFIER

● EPD170LGR (Low Gas Refrigerant)

Warning:

To reduce the risk of injury, the user must read and understand this manual before using this product.



● Thank you!

Thank you for choosing this product. Save this manual for future reference.

This ECOR PRO dehumidifier is a powerful dehumidifier suitable for professional use.

For more than 50 years, we have specialised in both air treatment and the production and development of dehumidifiers and mobile air conditioners.

Our quality products are manufactured according to the latest technological developments and are specially designed to achieve a clean, better and more pleasant indoor climate.

To ensure that you get the most out of all the possibilities, we recommend that you read these operating instructions carefully. Keep the instructions in a safe place within easy reach, so that you can refer to them again at a later date if necessary.

● Safety instructions

For safety reasons, please read these operating instructions carefully before using your appliance. The device is intended exclusively for professional use by qualified personnel. Persons who are not familiar with this device should not use it.

● Check the mains with the rating plate.

The dehumidifier is suitable for indoor use only with a grounded electrical outlet.

Connection voltage:

220-240 Volt (50 Hz) - IEC 60309 plug for UK and EU, 115V (60Hz) - USA plug for USA and Canada.



ECOR PRO Industrial Dehumidifier		Serial Number	
Model	EPD170LGR	Power Supply	115V~60Hz
Water Removal	170 pints/day (95°F RH95%) 135 pints/day (86°F RH80%) 80 pints/day (80°F RH60%)	Rated Power	720W
Refrigerant	R410A/0.49kg (17.3oz.)	Rated Current	6.5A
Maximum Operating Pressure High	3.7MPa	Operating Range	33°F~100°F
Maximum Operating Pressure Low	1.8MPa	Net Weight	66.0lbs.
		CONFORMS TO UL STD. 60335-1 & 60335-2-40 CERTIFIED TO CSA STD. C22.2 NO.60335-1 & 60335-2-40 	
FIRE AND ELECTRIC SHOCK HAZARD Keep wiring and motor dry. Do not operate in standing water. If electrical components become wet, allow to dry completely before using.		Unit must be electrically grounded. -Insert 3-prong plug on power cord directly into matching grounded receptacle. -Do not use with an adaptor. Read and understand manual before use.	

ECOR PRO Industrial Dehumidifier		Serial Number	
Model	EPD170LGR	Power Supply	220-240V~50Hz
Water Removal	80L/day (35°C RH95%) 55L/day (30°C RH80%) 35L/day (27°C RH60%)	Rated Power	580W
Refrigerant	R290/0.2kg	Rated Current	2.6A
Maximum Suction Pressure	2.5MPa	Operating Range	1~38°C
Maximum Discharge Pressure	4.5MPa	Net Weight	29.2 kg
Unit must be electrically grounded. -Insert 3-prong plug on power cord directly into matching grounded receptacle. -Do not use with an adaptor.		FIRE AND ELECTRIC SHOCK HAZARD Keep wiring and motor dry. Do not operate in standing water. If electrical components become wet, allow to dry completely before using.	

Get In Touch

Call: 0845 6880112

Email: info@adremit.co.uk

Our Address

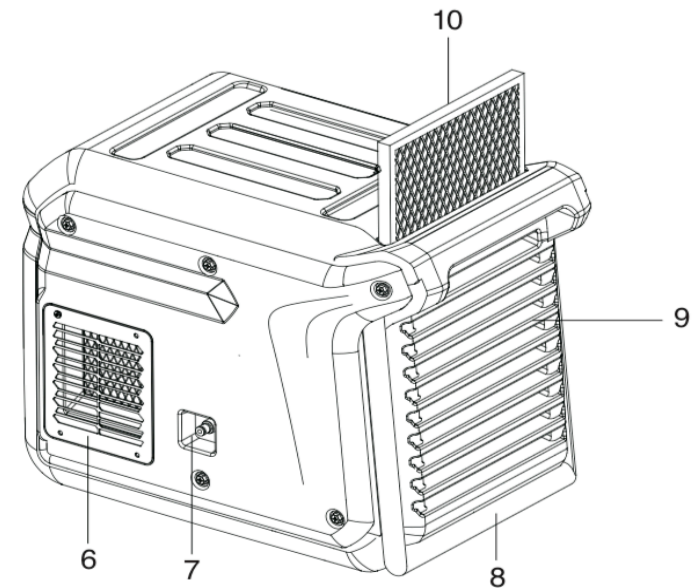
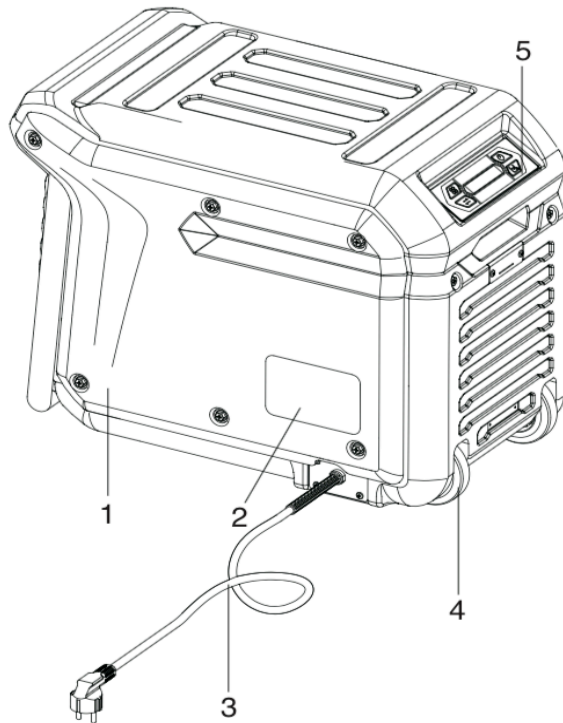
Puravent, Adremit Limited, Unit 5a, Commercial Yard, Settle, North Yorkshire, BD24 9RH

HOW THE UNIT WORKS

- Humid air is drawn into the device by a rotating fan. After passing through the filter, which stops dust particles, the air is cooled by a cooling coil. The water vapour in the air condenses into water, which is discharged via a discharge hose. The drier air is then heated by a heat exchanger and blown back into the room by the fan.

Description of parts

- | | |
|-------------------------|----------------------|
| 1 housing | 6 dry air outlet |
| 2 rating plate | 7 condensation drain |
| 3 cable | 8 handle/lever |
| 4 wheels | 9 air inlet |
| 5 control panel/display | 10 filter |



Get In Touch

Call: [0845 6880112](tel:08456880112)

Email: info@adremit.co.uk

Our Address

Puravent, Adremit Limited, Unit 5a, Commercial Yard,
Settle, North Yorkshire, BD24 9RH

GENERAL AND SAFETY (1)

The installation must be in full accordance with the local regulations, provisions and standards.

Please note that the dehumidifier must have stood upright for at least one hour before use.

- When you are not using the dehumidifier, always unplug it from the wall socket.
- Keep children out of reach of the device.
- Maintenance and repairs should only be carried out by certified personnel. Otherwise the warranty will become void.
- This dehumidifier is a safe device (CE). However, as with any electrical appliance, care should be taken.

The environmentally friendly R290 refrigerant is in a closed circuit; it is highly flammable. Please observe the following:!! No open flames or sources of heat in the vicinity of the appliance in the same room. Do not open the closed refrigeration circuit. Only qualified personnel, trained, certified and accustomed to using flammable refrigerants may carry out maintenance work. See warning next page.

- Always disconnect the power supply before cleaning the unit or any part of it.
- Never clean the dehumidifier by spraying it with water or immersing it in water.
- Do not cover or insert anything into the openings of the dehumidifier.
- Only install the device in an area that corresponds to its IP rating.



NEVER connect the unit using an extension cord. If a suitable earthed socket is not available, have this installed by a certified professional.

- The plug must always be easily accessible when the appliance is connected.

Important: The appliance MUST always be connected to earth. If the power supply is not earthed, do not connect the device at all.



Warning! Never use the appliance if the cord or plug is damaged. If the cord is damaged, have it replaced by an authorised professional to avoid danger and accidents.

Get In Touch



Call: [0845 6880112](tel:08456880112)



Email: info@adremit.co.uk

Our Address

Puravent, Adremit Limited, Unit 5a, Commercial Yard,
Settle, North Yorkshire, BD24 9RH

GENERAL AND SAFETY (2)

● WARNING FOR R290 REFRIGERANT! (FOR UK AND EU ONLY)

UK
EU

R290 refrigerant is a flammable natural gas and may only be used by certified personnel. Leaking refrigerant can cause fire and explosion, therefore NEVER work on the device yourself! **Store, install and use the dehumidifier in rooms with at least 10m² of floor space.**

R290 is heavier than air. If the unit is leaking gas, the highest concentration will be near the floor. R290 (propane gas) is odourless.

UK
EU

USA
CAN

NEVER USE THE DEHUMIDIFIER

- in the vicinity of open fire (such as a cigarette, candle, etc.) or a heat source (stove, hot lamp).
- in an industrial environment with a risk of gas and/or dust explosions
- in places where the cord can easily be damaged or trapped
- when children are present without supervision
- where there is a risk of liquid falling on or into the device
- where the appliance can be damaged by chemicals

The appliance is NOT suitable for DIY repair.

If a gas leak is suspected, have a certified service engineer investigate. Stay away from the unit. Evacuate the area.

Get In Touch



Call: [0845 6880112](tel:08456880112)



Email: info@adremit.co.uk

Our Address

Puravent, Adremit Limited, Unit 5a, Commercial Yard,
Settle, North Yorkshire, BD24 9RH

INSTALLATION (1)

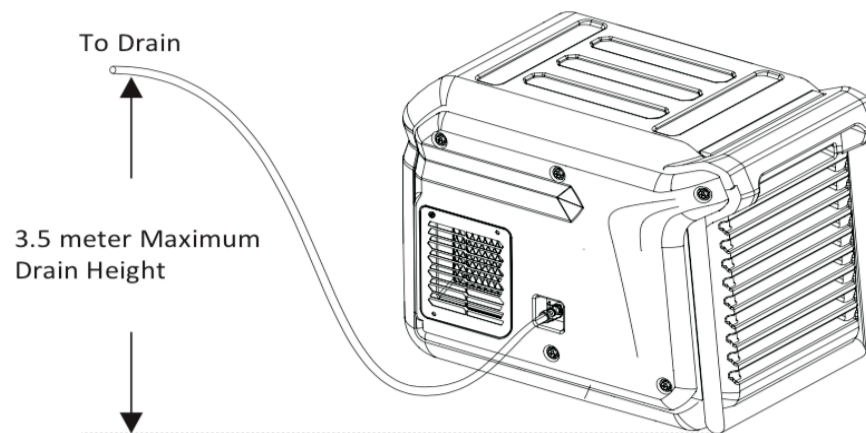
● Before start-up

Location

For best results, run your dehumidifier in a closed space. Close doors and windows. Place the unit by a wall, free of obstacles and free of anything that obstructs the airflow (inlet and outlet).

Position

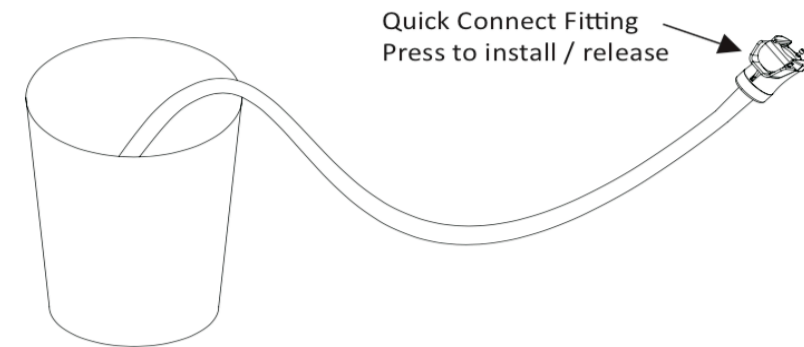
Always leave the device upright for at least one hour after transport. Oil from the compressor can then flow back into the compressor from the cooling coils. The device must be upright and level.



Discharge hose connection

Your dehumidifier comes with a drainage hose. The hose can be attached to the unit with a quick connector. Unwind the drainage hose and place the end into a sink, drain, bucket or outside the area to be dehumidified where the water can drain away. If using a bucket, empty the bucket regularly so that it does not overflow.

NB. Always roll out the drainage hose completely. Never place the end higher than 3.5 metres. Check the hose for kinks and obstacles, so that the condensation water is not obstructed in its flow. This prevents leakage from the pump.



Get In Touch



Call: [0845 6880112](tel:08456880112)



Email: info@adremit.co.uk

Our Address

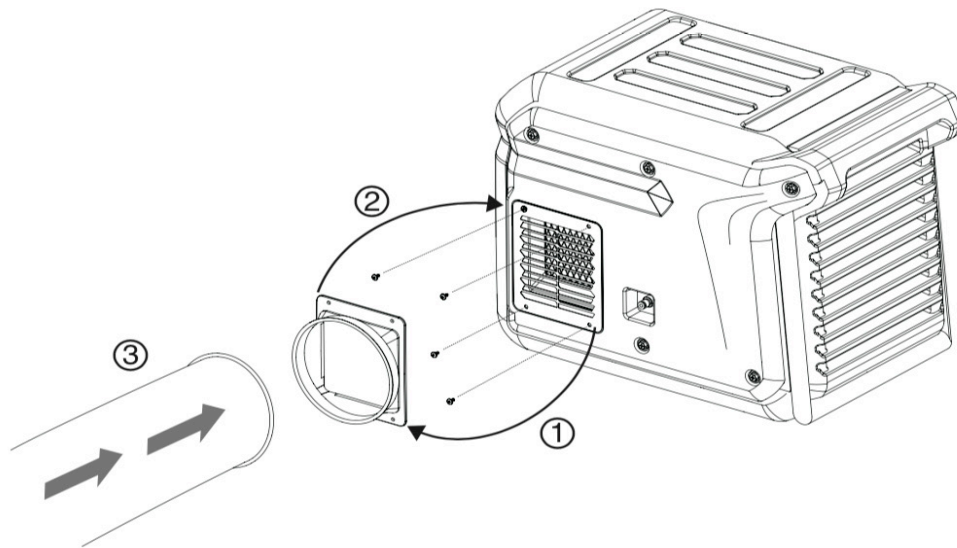
Puravent, Adremit Limited, Unit 5a, Commercial Yard,
Settle, North Yorkshire, BD24 9RH

INSTALLATION (2)

● Installation of additional hose / dry air outlet

An external hose can be optionally mounted on the discharge grille. This can be useful for certain drying requirements.

- 1) loosen the four screws of the air outlet channel
- 2) replace the adapter turned
- 3) attach the hose to the adapter



Straps can be used to easily secure the power cord and drain hose.

Get In Touch



Call: [0845 6880112](tel:08456880112)

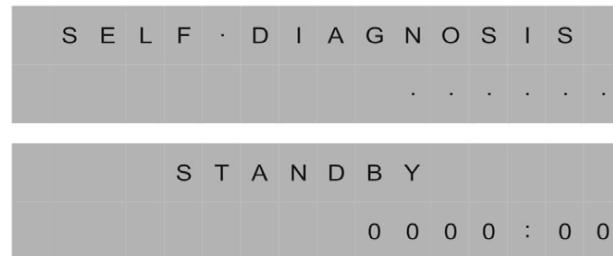
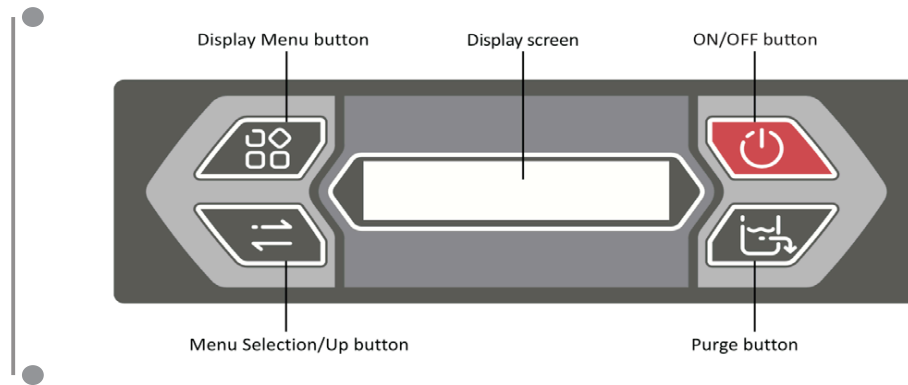


Email: info@adremit.co.uk

Our Address

Puravent, Adremit Limited, Unit 5a, Commercial Yard,
Settle, North Yorkshire, BD24 9RH

OPERATION AND SETTINGS



Control panel

Menu - Display screen - On/off button
Menu selection / Up - Pump button

Main Menu - Display
Insert plug into earthed socket
When the unit is connected, it starts the diagnostic procedure.

The display shows "self diagnosis". When the unit is ready, the display shows "stand by".

Switching the unit on/off
Press the "on/off" button. The unit starts up, the display shows "unit on".
Operating time 00:00, set value (00%), current temperature 00 °C and current humidity 00%.

Get In Touch

Call: [0845 6880112](tel:08456880112)
Email: info@adremit.co.uk

Our Address

Puravent, Adremit Limited, Unit 5a, Commercial Yard,
Settle, North Yorkshire, BD24 9RH

P	L	E	A	S	E	W	A	I	T			
C	O	M	P	D	E	L	A	Y	0	0	0	

If the display reads PLEASE WAIT COMP DELAY and performs a numeral count down from a maximum of 180 seconds to 0, this is the compressor delay protection. Once the unit completes the compressor delay protection, the unit will start working immediately.



U	N	I	T	O	N	0	0	:	0	0	P
(0	0	%)	0	0	°	C	0	0	%

Purge

Press the purge button, the unit will pump for 50 seconds to manually empty water from the condensate pump reservoir.

During normal operation, the pump purges 90 seconds when the reservoir is full. The display will flash P in top right corner.

Notice: Always press the PURGE button prior to move the unit.



Display Menu

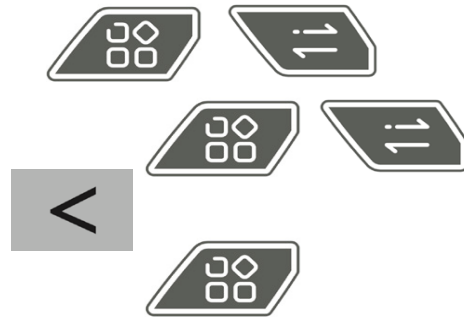
Press the DISPLAY MENU button cycle through the display of additional dehumidifier conditions and User Setting. To return to the Main Menu, wait for 10 seconds no operation or keep pressing DISPLAY MENU button till it back to the Main Menu.

Get In Touch

 Call: [0845 6880112](tel:08456880112)
 Email: info@adremit.co.uk

Our Address

Puravent, Adremit Limited, Unit 5a, Commercial Yard,
 Settle, North Yorkshire, BD24 9RH



J	O	B	H	O	U	R	S				
R	E	S	E	T	>				0	0	: 0 0

L	I	F	E		H	O	U	R	S		
		0	0	0	0	:	0	0			

<	I	N	L	E	T			O	U	T	L	E	T	
0	0	°	C	0	0	%		0	0	°	C	0	0	%

Menu Selection

Press the MENU SELECTION button to change / check the value on the "User Setting Menu Display". The MENU SELECTION button acts as the UP button for adjusting the set value for humidistat mode operation.

User can use DISPLAY MENU and MENU SELECTION buttons to check and set some functions.

Each press of DISPLAY MENU button, will show next parameter. See list below. When you wish the parameter you wish to adjust, press the MENU SELECTION button, the arrow shows in the left top corner means you can adjust the parameter or the screen is locked now. Press DISPLAY MENU button to exit the locked interface.

Job hours

Press MENU SELECTION to reset the working hours to zero.

Live hours

Shows total of unit hours. Value cannot be modified.

Temperature of Inlet / Outlet

Shows current temperature and relative humidity of inlet and outlet.

Get In Touch

Call: [0845 6880112](tel:08456880112)
Email: info@adremit.co.uk

Our Address

Puravent, Adremit Limited, Unit 5a, Commercial Yard,
Settle, North Yorkshire, BD24 9RH



<	H	U	M	I	D	I	S	T	A	T	M	O	D	E
							O	N	>			5	5	%

Humidistat Mode

Ad on mode press MENU SELECTION to adjust the set value from CO-35%-40%-45%-50%-55%-60%-65%-70%-75%-80%-85%-90%. Choose the desired value and wait for 5 seconds, the sett will be kept. CO means continuous dehumidifying.



<		T	E	M	P		U	N	I	T	S			
							°	C	>					

Temp Units

Shows the current temperature scale. Press MENU SELECTION to set Fahrenheit or Centigrade scale.

			C	O	I	L		T	E	M	P			
			0	0			°	C						

Coil Temp

Shows the evaporator coil temperature.

			C	O	M	P	R	S	S		C	U	R	R	E	N	T
							0		°	0	A						

Comprss Current

Shows the current draw in amps. If the unit can not detect the compressor current, the display shows - - A.

		E	1		E	2		E	5		P			
		E	3		E	4		E	C					

Code Message

If the unit on-board diagnostics discover a problem, the unit will display the error message, see the Code Message next page.

Get In Touch

Call: [0845 6880112](tel:08456880112)
Email: info@adremit.co.uk

Our Address

Puravent, Adremit Limited, Unit 5a, Commercial Yard, Settle, North Yorkshire, BD24 9RH

CODE MESSAGE ON DISPLAY

Code Message	Explanation
E1	Temperature sensor error
E2	Inlet sensor error
E3	Cooling system failure
E4	Pump error
E5	Outlet sensor error
EC	Overcurrent Protection
D	Defrosting
P	Purging

Get In Touch



Call: [0845 6880112](tel:08456880112)



Email: info@adremit.co.uk

Our Address

Puravent, Adremit Limited, Unit 5a, Commercial Yard,
Settle, North Yorkshire, BD24 9RH

CLEANING AND MAINTENANCE (1)

- **Attention! Always disconnect from the mains before cleaning or servicing.**

- Maintenance may only be carried out by qualified personnel.
- The appliance must be disconnected from the mains before the covers are removed.
- If the appliance is not running, the heating element may still be hot.

- **REFRIGERANT R290 (UK/EU only)**

Cooling is achieved by using R290 refrigerant, a natural gas - propane - in a closed system. Since it is highly flammable, caution is advised: **no open flame or source of heat near the appliance, use and storage in a room with a floor space of at least 10 m²**, annual inspection by an authorised professional, who will top up the refrigerant if necessary.

- **Cleaning the filter**

To remove the filter, first loosen the screw in the middle. (e.g. with a coin).
The unit has an intake air filter that must be checked periodically and checked and cleaned if necessary.
Clean it with a Hoover or wash it.
The filter must be completely dry before being replaced.

CAUTION: Never run the unit without the filter, dust will adversely affect operation.

- **Housing**

Wipe regularly with a damp cloth using a mild household detergent.

Get In Touch

- 📞 Call: [0845 6880112](tel:08456880112)
- ✉ Email: info@adremit.co.uk

Our Address

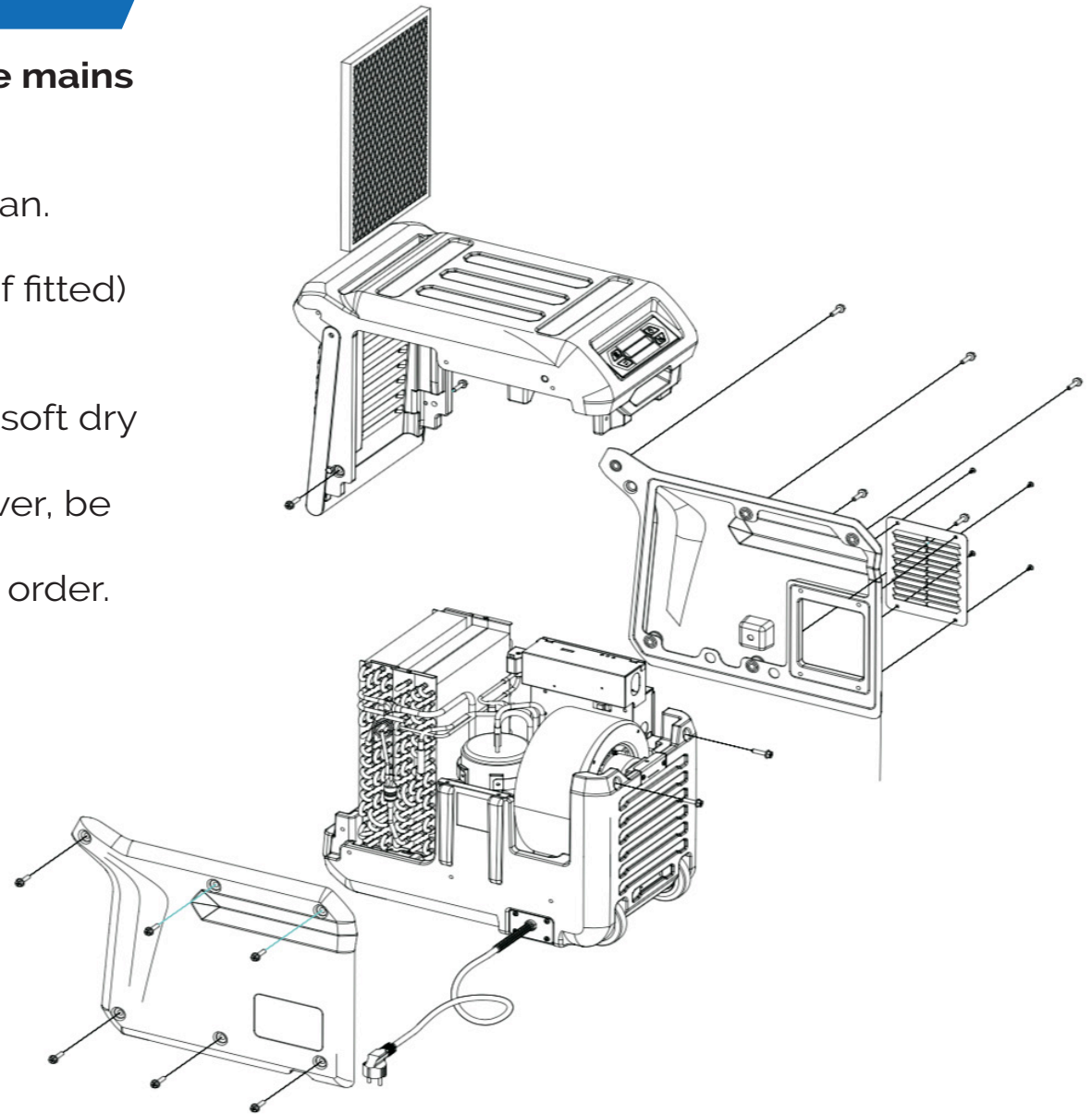
Puravent, Adremit Limited, Unit 5a, Commercial Yard,
Settle, North Yorkshire, BD24 9RH

CLEANING AND MAINTENANCE (2)

- **Attention! Always disconnect from the mains before cleaning or servicing.**

Keep the filter, spirals and all grilles clean. This will help ensure proper operation.

- 1) remove the hose from the air outlet (if fitted)
- 2) unscrew the side panels (6 screws)
- 3) Take out the filter and clean it.
- 4) Remove dust from the panels with a soft dry cloth.
- 5) Clean the inside carefully with a Hoover, be careful not to damage delicate parts.
- 6) Attach the side panels in the reverse order.



Get In Touch



Call: [0845 6880112](tel:08456880112)



Email: info@adremit.co.uk

Our Address

Puravent, Adremit Limited, Unit 5a, Commercial Yard,
Settle, North Yorkshire, BD24 9RH

TROUBLE SHOOTING

Fault	Cause	Solution
Water drips out when moving the unit.	Unit was unplugged before purging was complete.	Purge unit before moving.
Unit does not operate.	- No power to machine.	- Plug in unit. Check power at outlet and base of unit.
	- Unit not switched on.	- Switch on the unit.
	- The set humidity level has been reached.	- Choose CO (continuous) if you still want to dehumidifying after the set value has been reached.
Water on the floor.	The drain hose is loose. Not correct connected.	Tighten the connection of the drain hose.
Unit collect too little water.	- Room temperature is too low.	- Increase the room temperature.
	- The doors and windows are open.	- Close all doors and windows.
	- The unit has not been used long enough.	- Allow the unit to run more time.
	- The air filter, coils are dirty.	- Check the filter and coils and clean.

Get In Touch



Call: [0845 6880112](tel:08456880112)



Email: info@adremit.co.uk

Our Address

Puravent, Adremit Limited, Unit 5a, Commercial Yard,
Settle, North Yorkshire, BD24 9RH

SPECIFICATIONS MODEL EPD170LGR

USA
CAN

UK
EU

Water Removal Capacity	170 pints/day (95 °F RH95%)	80 L/day (35 °C RH95%)
	135 pints/day (86 °F RH80%)	55 L/day (30 °C RH80%)
	80 pints/day (80 °F RH60%)	35 L/day (27 °C RH60%)
Voltage / Frequency	115V ~60Hz	220-240V ~50Hz
Rated Power	720W	580 W
Rated Current	6.5 A	2.6 A
Air Flow	250 CFM	420 m ³ /h
Noise	55 dB (A)	55 dB (A)
Refrigerant	R410A / 0.49 kg (17.3 oz)	R290 / 0.2 kg
Operation Temperature	33 ~100 °F	1 ~38 °C
Weight	66.0 lbs (30 kg)	29 kg
Dimensions (W x H x D)	13.5 x 17.5 x 22.0 inch	345 x 450 x 560 mm
Power Cord	25 ft	5 m
Drain hose	40 ft	12 m



Intertek
5017503



Subject to change without notice.

Get In Touch



Call: [0845 6880112](tel:08456880112)



Email: info@adremit.co.uk

Our Address

Puravent, Adremit Limited, Unit 5a, Commercial Yard,
Settle, North Yorkshire, BD24 9RH

DÉSHUMIDIFICATEUR INDUSTRIEL

● EPD170LGR (Low Gas Refrigerant)

Attention :

Veillez lire attentivement le manuel d'utilisation avant d'utiliser votre appareil.



● Merci !

Merci d'avoir choisi le déshumidificateur ECOR PRO, un déshumidificateur puissant adapté à un usage professionnel.

Depuis plus de 50 ans, nous sommes spécialisés à la fois dans le traitement de l'air et dans la production et le développement de déshumidificateurs et de climatiseurs mobiles.

Nos produits de haute qualité prennent en compte les derniers développements technologiques et sont spécialement conçus pour obtenir un climat intérieur plus propre et plus agréable. Pour vous assurer de tirer le meilleur parti de toutes les fonctionnalités, nous vous recommandons de lire attentivement ce manuel. Conservez les instructions dans un endroit sûr et à portée de main, afin de pouvoir vous y référer ultérieurement si nécessaire.

● Consignes de sécurité

Pour des raisons de sécurité, veuillez lire attentivement ce manuel d'utilisation avant de mettre votre appareil en service.

L'appareil est destiné à une utilisation professionnelle, uniquement par du personnel qualifié. Les personnes qui ne sont pas familiarisées avec cet appareil ne doivent pas l'utiliser.

Vérifiez la tension du réseau à l'aide de la plaque signalétique.

Le déshumidificateur est adapté à un usage intérieur uniquement avec une prise électrique mise à la terre, tension 220-240V (50Hz) pour l'Europe ou 115V (60Hz) pour les États-Unis et le Canada.

USA
CAN

UK
EU

ECOR PRO Industrial Dehumidifier
www.ecor-pro.com Serial Number

Model	EPD170LGR	Power Supply	115V~60Hz
Water Removal	170 pints/day (95°F RH95%) 135 pints/day (86°F RH80%) 80 pints/day (80°F RH60%)	Rated Power	720W
Refrigerant	R410A/0.49kg (17.3oz.)	Rated Current	6.5A
Maximum Operating Pressure High	3.7MPa	Operating Range	33°F~100°F
Maximum Operating Pressure Low	1.8MPa	Net Weight	66.0lbs.

CONFORMS TO UL STD. 60335-1 & 60335-2-40
CERTIFIED TO CSA STD. C22.2 NO.60335-1 & 60335-2-40
Intertek 5017503
Made in P.R.C.

FIRE AND ELECTRIC SHOCK HAZARD
Keep wiring and motor dry.
Do not operate in standing water.
If electrical components become wet, allow to dry completely before using.

Unit must be electrically grounded.
-Insert 3-prong plug on power cord directly into matching grounded receptacle.
-Do not use with an adaptor.
Read and understand manual before use.

ECOR PRO Industrial Dehumidifier
www.ecor-pro.com Serial Number

Model	EPD170LGR	Power Supply	220-240V~50Hz
Water Removal	80L/day (35°C RH95%) 55L/day (30°C RH80%) 35L/day (27°C RH60%)	Rated Power	580W
Refrigerant	R290/0.2kg	Rated Current	2.6A
Maximum Suction Pressure	2.8MPa	Operating Range	1~38°C
Max Discharge Pressure	4.5MPa	Net Weight	29.2 kg

CONFORMS TO UL STD. 60335-1 & 60335-2-40
CERTIFIED TO CSA STD. C22.2 NO.60335-1 & 60335-2-40
Intertek 5017503
Made in P.R.C.

FIRE AND ELECTRIC SHOCK HAZARD
Keep wiring and motor dry.
Do not operate in standing water.
If electrical components become wet, allow to dry completely before using.

Unit must be electrically grounded.
-Insert 3-prong plug on power cord directly into matching grounded receptacle.
-Do not use with an adaptor.
WARNING: APPLIANCE SHALL NOT BE INSTALLED, NOT OPERATED AND NOT STORED IN A ROOM WITH A FLOOR AREA LESS THAN 10 M²

Get In Touch

Call: 0845 6880112

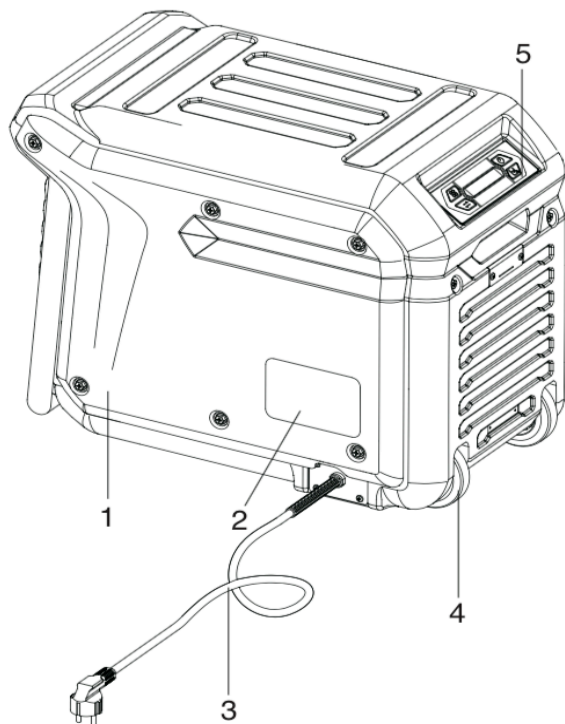
Email: info@adremit.co.uk

Our Address

Puravent, Adremit Limited, Unit 5a, Commercial Yard,
Settle, North Yorkshire, BD24 9RH

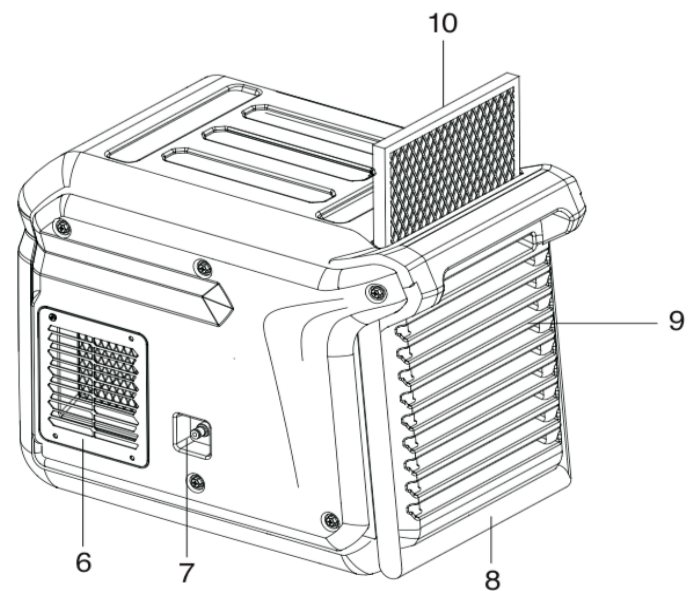
FONCTIONNEMENT

- Un ventilateur rotatif aspire l'air humide dans l'appareil. Après avoir traversé le filtre, les particules de poussière sont retenues, l'air est refroidi par une batterie de refroidissement. La vapeur d'eau contenue dans l'air se condense en eau, qui est évacuée par un tuyau de vidange. L'air plus sec est ensuite chauffé à l'aide d'un échangeur de chaleur puis ré-insufflé par le ventilateur dans la pièce.



Description des composants

- | | |
|---------------------------|--------------------------|
| 1. boîtier | 6. évacuation |
| 2. plaquette signalétique | 7. drain de condensation |
| 3. câble | 8. poignée/levier |
| 4. roues | 9. entrée d'air |
| 5. panneau de contrôle | 10. filtre |



Get In Touch



Call: [0845 6880112](tel:08456880112)



Email: info@adremit.co.uk

Our Address

Puravent, Adremit Limited, Unit 5a, Commercial Yard,
Settle, North Yorkshire, BD24 9RH

GÉNÉRAL ET SÉCURITÉ (1)

- L'installation doit être entièrement conforme aux réglementations, dispositions et normes locales. **Veillez noter que le déshumidificateur doit être en position verticale pendant au moins une heure avant d'être utilisé.**

- Le déshumidificateur doit toujours être débranché lorsqu'il n'est pas utilisé.
- Tenez les enfants éloignés de l'appareil.
- L'entretien et les réparations ne doivent être effectués que par du personnel certifié, sans quoi la garantie sera annulée.
- Ce déshumidificateur est un appareil sûr (CE). Toutefois, comme pour tout appareil électrique, il convient de faire preuve de prudence.

- Le réfrigérant R290, respectueux de l'environnement, se trouve dans un circuit fermé ; il est hautement inflammable. Attention ! Aucune flamme nue ou source de chaleur ne doit se trouver à proximité de l'appareil dans la même pièce. Le circuit de refroidissement fermé ne doit pas être ouvert. Seul un personnel qualifié, formé, certifié et habitué à utiliser des réfrigérants inflammables peut effectuer l'entretien.

Voir l'avertissement page suivante.

- - Débranchez toujours l'appareil avant de le nettoyer ou de nettoyer l'une de ses pièces.
 - Ne nettoyez jamais le déshumidificateur en le vaporisant d'eau ou en l'immergeant dans l'eau.
 - Ne couvrez pas et n'insérez rien dans les ouvertures du déshumidificateur.
 - Installez l'appareil uniquement dans un endroit conforme à son indice de protection IP.



Ne branchez JAMAIS l'appareil à l'aide d'une rallonge. Si vous ne disposez pas d'une prise de courant appropriée avec mise à la terre, faites-la installer par un professionnel certifié.


- La fiche doit toujours être facilement accessible lorsque l'appareil est branché.

Important : l'appareil DOIT toujours être relié à la terre. Si l'alimentation n'est pas reliée à la terre, ne branchez pas l'appareil.



Avertissement ! N'utilisez jamais l'appareil si le câble ou la fiche est endommagé(e). En cas de dommage, faites remplacer le câble par un professionnel agréé afin d'éviter tout danger et tout accident.

Get In Touch

 Call: [0845 6880112](tel:08456880112)

 Email: info@adremit.co.uk

Our Address

Puravent, Adremit Limited, Unit 5a, Commercial Yard,
Settle, North Yorkshire, BD24 9RH

GÉNÉRAL ET SÉCURITÉ (2)

● ATTENTION AU RÉFRIGÉRANT R290 ! (UK ET EU)

UK
EU

Le réfrigérant R290 est un gaz naturel inflammable et ne doit être utilisé que par du personnel certifié. Une fuite de réfrigérant peut provoquer un incendie ou une explosion, n'effectuez donc JAMAIS de réparations sur l'unité vous-même ! **Stockez, installez et utilisez le déshumidificateur dans des pièces d'une superficie d'au moins 15m².**

Le R290 est plus lourd que l'air. En cas de fuite de gaz, la concentration la plus élevée se trouve près du sol. Le R290 (gaz propane) est inodore.

UK
EU

USA
CAN

N'UTILISEZ JAMAIS LE DÉSHUMIDIFICATEUR :

- près d'une flamme nue (cigarette, bougie, etc.) ou d'une source de chaleur (poêle, lampe chaude).
- dans un environnement industriel avec un risque d'explosion de gaz et/ou de poussières
- à un endroit où le câble peut être facilement endommagé ou bloqué
- si des enfants sont présents sans surveillance
- en cas de risque de déversement de liquide sur ou dans l'appareil
- où l'appareil peut être endommagé par des produits chimiques

L'appareil ne doit PAS être réparé par des bricoleurs amateurs.

Si vous soupçonnez une fuite de gaz, faites appel à un technicien certifié. Alors ne vous approchez pas de l'appareil. Évacuez la pièce.

Get In Touch



Call: [0845 6880112](tel:08456880112)



Email: info@adremit.co.uk

Our Address

Puravent, Adremit Limited, Unit 5a, Commercial Yard,
Settle, North Yorkshire, BD24 9RH

INSTALLATION (1)

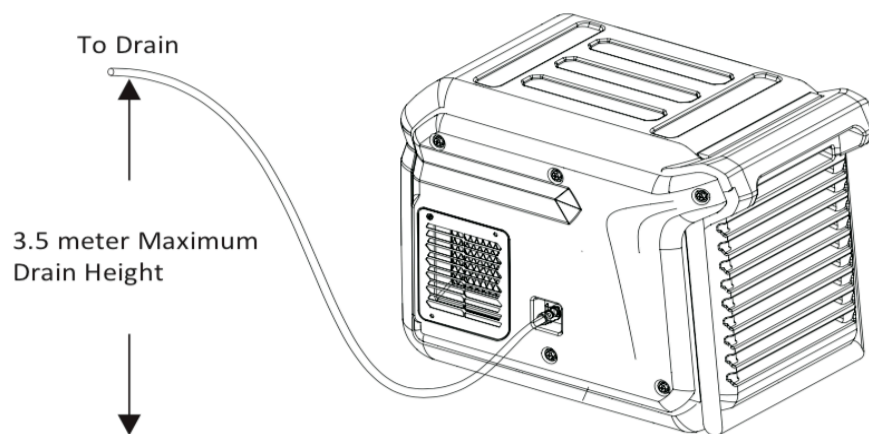
● Avant la mise en service

Emplacement

Pour de meilleurs résultats, faites fonctionner votre déshumidificateur dans un espace fermé. Fermez les portes et les fenêtres. Placez l'appareil près d'un mur, sans obstacles et sans rien qui puisse obstruer le flux d'air (entrée et sortie).

Position

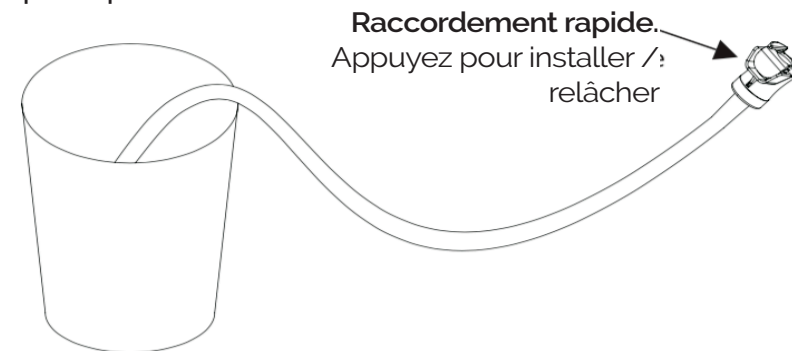
Après avoir transporté l'appareil, laissez-le toujours en position verticale pendant au moins une heure. L'huile du compresseur peut alors retourner dans le compresseur à partir des serpentins de refroidissement. L'unité doit être verticale et de niveau.



Raccordement du tuyau de vidange

Votre déshumidificateur est livré avec un tuyau de vidange. Le tuyau peut être fixé à l'appareil à l'aide d'un raccord rapide. Déroulez le tuyau d'évacuation et placez l'extrémité dans un évier, un drain, un seau ou à l'extérieur de la zone à déshumidifier où l'eau peut s'écouler correctement. Si vous utilisez un seau, videz-le régulièrement pour éviter tout débordement.

N.B. Déroulez toujours complètement le tuyau de vidange. Ne placez jamais l'embout à plus de 3,5 mètres de hauteur. Vérifiez que le tuyau n'est pas plié ou obstrué afin que l'eau de condensation ne soit pas gênée dans son écoulement. Cela empêche la pompe de fuir.



Get In Touch



Call: [0845 6880112](tel:08456880112)



Email: info@adremit.co.uk

Our Address

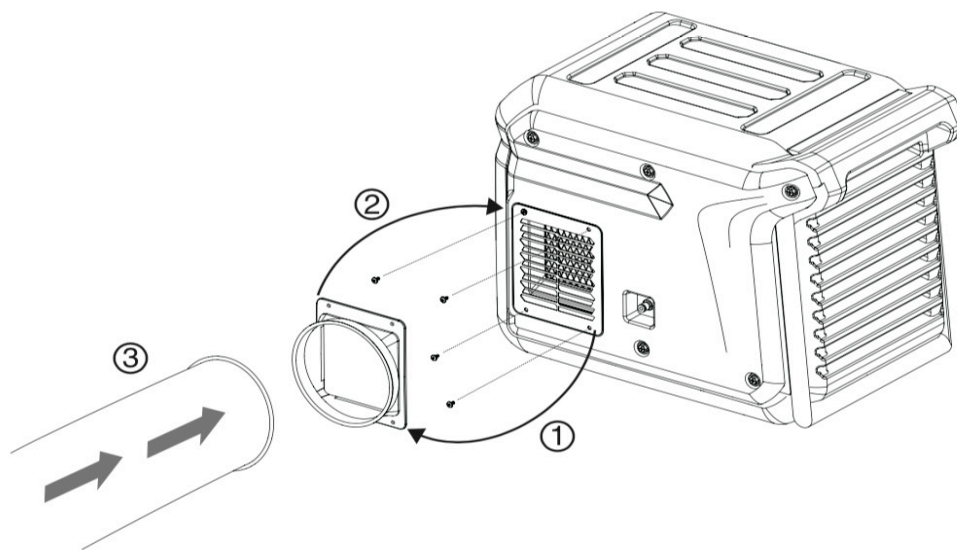
Puravent, Adremit Limited, Unit 5a, Commercial Yard,
Settle, North Yorkshire, BD24 9RH

INSTALLATION (2)

● Installation d'un tuyau supplémentaire

Un tuyau externe peut être installé en option pour les besoins de séchage nécessaires

- 1) Desserrez les quatre vis du tuyau de sortie d'air
- 2) Remplacez l'adaptateur à l'envers
- 3) Fixez le tuyau à l'adaptateur



Des sangles peuvent être utilisées pour fixer facilement le cordon d'alimentation et le tuyau de vidange.

Get In Touch



Call: [0845 6880112](tel:08456880112)

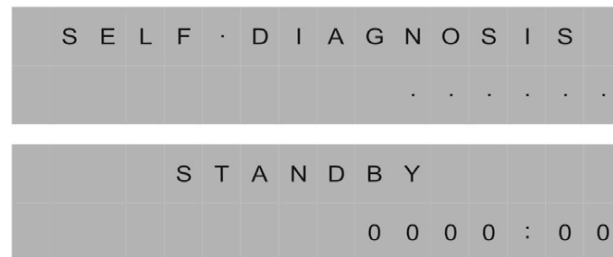
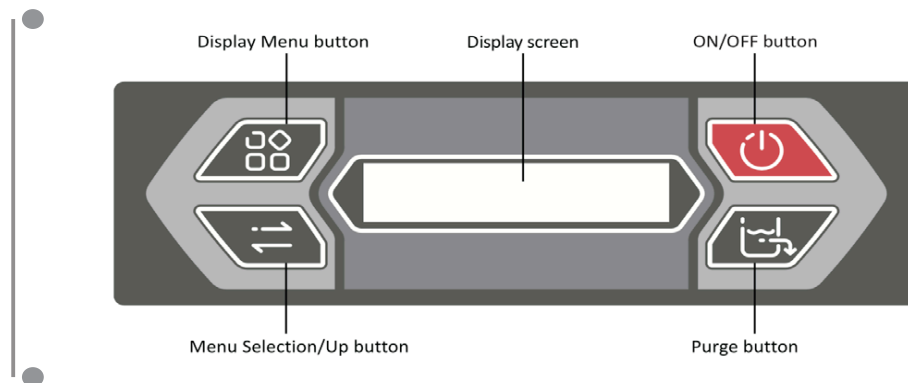


Email: info@adremit.co.uk

Our Address

Puravent, Adremit Limited, Unit 5a, Commercial Yard,
Settle, North Yorkshire, BD24 9RH

FUNCTIONNEMENT ET PARAMÈTRES



Panneau de contrôle

Menu / Écran d'affichage / Touche marche/arrêt
Sélection du menu /Up Bouton de pompe

Menu principal - affichage
Branchez sur une prise de courant avec mise à la terre
Lorsque l'appareil est connecté, la procédure de diagnostic est lancée.

L'écran affiche « self diagnosis ». Lorsque la machine est prête, l'écran affiche « stand by ».



Mise en marche/arrêt de l'appareil
Appuyez sur le bouton « on/off ». L'appareil démarre, l'écran affiche « unit on ».
Heure de fonctionnement 00:00, valeur paramétrée (00%), température actuelle 00 °C et humidité actuelle 00%

Get In Touch

Call: [0845 6880112](tel:08456880112)
Email: info@adremit.co.uk

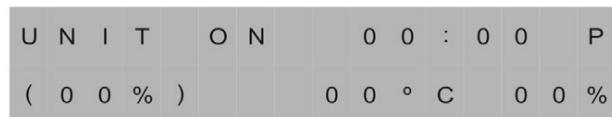
Our Address

Puravent, Adremit Limited, Unit 5a, Commercial Yard,
Settle, North Yorkshire, BD24 9RH



P L E A S E W A I T
C O M P D E L A Y 0 0 0

Si l'écran affiche « please wait comp delay » suivi par un chiffre, la protection contre le retard du compresseur est activée. Le compte à rebours de 180 à 0 secondes est lancé. Ensuite, l'appareil démarre.



U N I T O N 0 0 : 0 0 P
(0 0 %) 0 0 ° C 0 0 %

Purge

Appuyez sur le bouton de la pompe et l'unité pompera la condensation hors du réservoir pendant 50 secondes.

Pendant l'utilisation, la pompe vide le réservoir lorsqu'il est plein, ce qui prendra 90 secondes.
À l'écran, un P apparaît dans le coin supérieur droit.

Attention ! Videz le réservoir avant de déplacer l'appareil !



Menu d'affichage

En appuyant sur la touche menu, les différents réglages et conditions du déshumidificateur s'affichent à l'écran. Attendez 10 secondes pour revenir au menu principal, ou continuez à appuyer sur le bouton jusqu'à ce que le menu principal réapparaisse.

Get In Touch



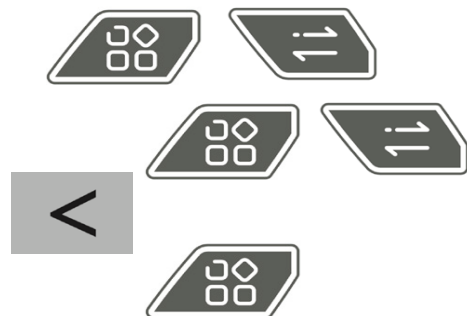
Call: [0845 6880112](tel:08456880112)



Email: info@adremit.co.uk

Our Address

Puravent, Adremit Limited, Unit 5a, Commercial Yard,
Settle, North Yorkshire, BD24 9RH



J	O	B	H	O	U	R	S				
R	E	S	E	T	>				0	0	: 0 0

L	I	F	E		H	O	U	R	S		
		0	0	0	0	:	0	0			

<	I	N	L	E	T			O	U	T	L	E	T	
0	0	°	C	0	0	%		0	0	°	C	0	0	%

Sélection du menu

Appuyez sur la touche de sélection du menu pour vérifier ou modifier le réglage du « User Menu Display ». Le bouton agit comme un « bouton UP » pour régler la valeur paramétrée de l'opération.

Le bouton de menu et le bouton de sélection de menu permettent de vérifier et de régler diverses fonctions. Chaque fois que vous appuyez sur le bouton Menu, le paramètre suivant devient visible. Une fois que vous êtes arrivé au paramètre que vous souhaitez régler, utilisez le bouton de sélection du menu pour régler le paramètre désiré. La flèche dans le coin supérieur gauche indique les ajustements qui peuvent être effectués. Après avoir appuyé sur le bouton du menu principal, la valeur réglée est enregistrée.

Horaires de travail

Appuyez sur le bouton Menu pour remettre les heures de fonctionnement à 0.

Heures machine

« Life hours » indique le nombre total d'heures de fonctionnement de la machine. Cette valeur ne peut pas être ajustée.

Température entrante et sortante

L'écran affiche la température et l'humidité actuelles

Get In Touch



Call: [0845 6880112](tel:08456880112)



Email: info@adremit.co.uk

Our Address

Puravent, Adremit Limited, Unit 5a, Commercial Yard,
Settle, North Yorkshire, BD24 9RH

CODE MESSAGE SUR L'ÉCRAN

Code Message	Explication
E1	Capteur de température
E2	Capteur d'entrée
E3	Système de refroidissement
E4	Pompe
E5	Capteur de sortie
EC	Protection contre l'ampérage
D	Protection contre le gel
P	Vider le réservoir

Get In Touch



Call: [0845 6880112](tel:08456880112)



Email: info@adremit.co.uk

Our Address

Puravent, Adremit Limited, Unit 5a, Commercial Yard,
Settle, North Yorkshire, BD24 9RH

NETTOYAGE ET ENTRETIEN (1)

- **Attention! Débranchez toujours l'alimentation électrique avant de procéder au nettoyage ou à l'entretien.**

- L'entretien ne doit être effectué que par du personnel qualifié
- L'appareil doit être débranché du secteur avant de retirer les couvercles.
- Si l'appareil ne fonctionne pas, l'élément chauffant peut être encore chaud.

- **RÉFRIGÉRANT R290 (UK/EU)**

Le refroidissement est obtenu en utilisant le réfrigérant R290, un gaz naturel - le propane - dans un système fermé. Comme il est hautement inflammable, faites attention : pas de flamme nue ou de source de chaleur à proximité de l'appareil, utilisation et stockage dans une pièce d'une surface au sol d'au moins 10 m², contrôle annuel par un technicien agréé qui fera l'appoint de réfrigérant si nécessaire.

- **Nettoyage du filtre**

Pour retirer le filtre, desserrez d'abord la vis du milieu (par exemple avec une pièce de monnaie).

L'appareil est équipé d'un filtre à air d'entrée, qui doit être contrôlé périodiquement vérifié et nettoyé si nécessaire. Nettoyez-le avec un aspirateur ou lavez-le.

Les filtres doivent être complètement secs avant de les remplacer.

ATTENTION : ne faites jamais fonctionner l'appareil sans filtre, car la poussière affecterait son fonctionnement de manière négative.

- **Boîtier**

Essuyez régulièrement avec un chiffon humide en utilisant un nettoyant ménager doux.

Get In Touch



Call: [0845 6880112](tel:08456880112)



Email: info@adremit.co.uk

Our Address

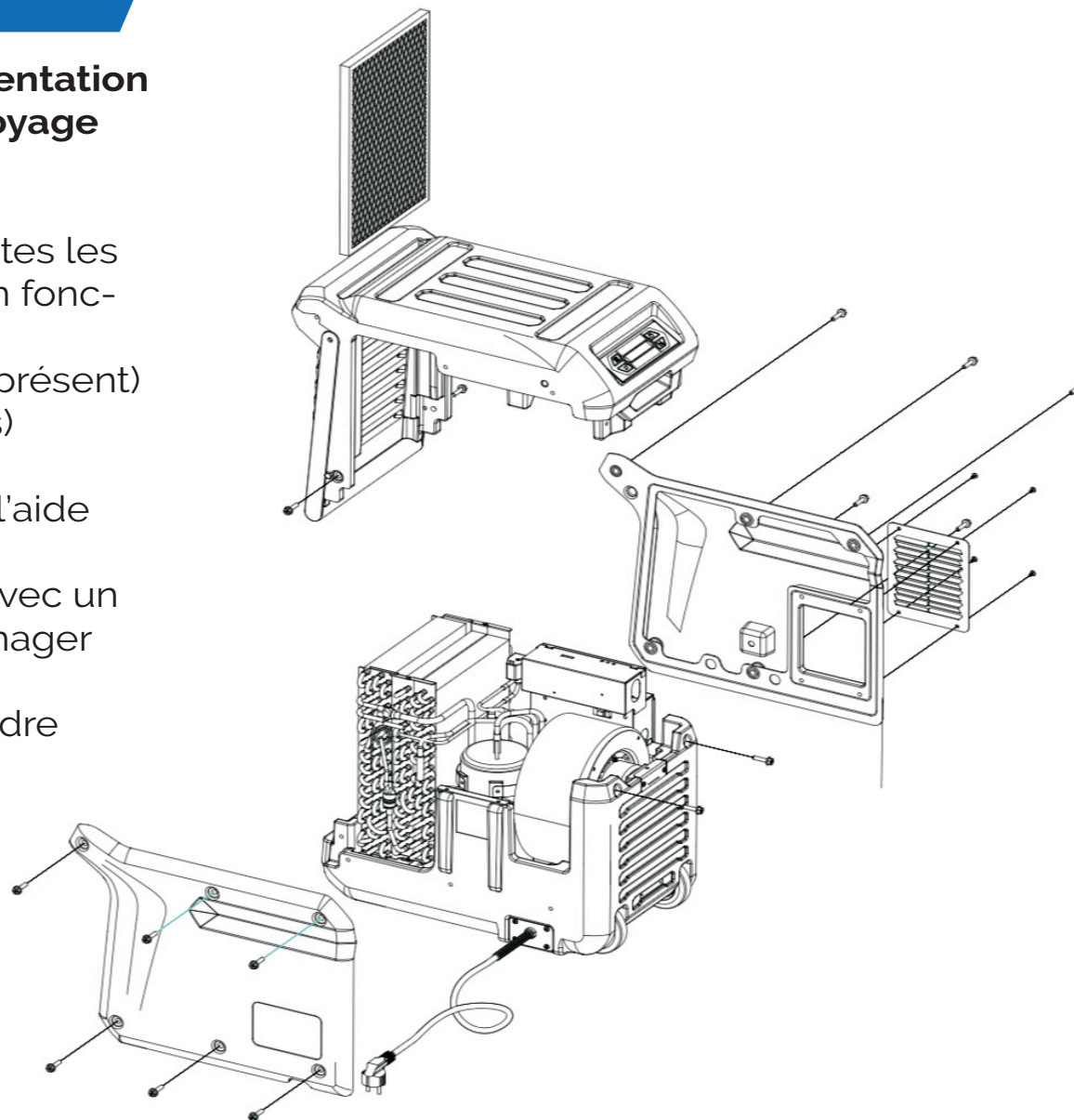
Puravent, Adremit Limited, Unit 5a, Commercial Yard,
Settle, North Yorkshire, BD24 9RH

NETTOYAGE ET ENTRETIEN (2)

- **Attention! Débranchez toujours l'alimentation électrique avant de procéder au nettoyage ou à l'entretien.**

Maintenez le filtre, les serpentins et toutes les grilles propres pour contribuer à un bon fonctionnement.

- 1) Retirez le tuyau côté refoulement (si présent)
- 2) Dévissez les panneaux latéraux (6 vis)
- 3) Retirez le filtre et nettoyez-le.
- 4) Retirez la poussière des panneaux à l'aide d'un chiffon doux et sec.
- 5) Nettoyez soigneusement l'intérieur avec un aspirateur, en prenant garde d'endommager les parties délicates.
- 6) Fixez les panneaux latéraux dans l'ordre inverse.



Get In Touch



Call: [0845 6880112](tel:08456880112)



Email: info@adremit.co.uk

Our Address

Puravent, Adremit Limited, Unit 5a, Commercial Yard,
Settle, North Yorkshire, BD24 9RH

REMÉDIER AUX DYSFONCTIONNEMENTS

Erreur	Cause	Solution
L'appareil fuit lorsqu'il est transporté	La citerne n'a pas été vidée pour le transport	Vider le réservoir avant le transport
L'appareil ne fonctionne pas.	L'appareil n'est pas alimenté	Branchez l'appareil, vérifiez la prise et l'appareil
	L'appareil n'est pas allumé	Allumez l'appareil indiqué
	La valeur paramétrée de l'humidité a été atteinte	Sélectionnez CO (déshumidification continue) si une déshumidification supplémentaire est nécessaire
De l'eau sur le sol	Le tuyau de vidange n'est pas correctement fixé	Fixez le tuyau correctement
L'appareil déshumidifie modérément	La température de la pièce est trop basse	Augmentez la température
	Les portes et les fenêtres sont ouvertes	Fermez toutes les portes et fenêtres
	L'appareil est resté allumé trop peu de temps	Laissez l'appareil faire son travail plus longtemps
	Le filtre à air, les grilles et les serpentins sont sales	Vérifiez le filtre et nettoyez le tout

Get In Touch



Call: [0845 6880112](tel:08456880112)



Email: info@adremit.co.uk

Our Address

Puravent, Adremit Limited, Unit 5a, Commercial Yard,
Settle, North Yorkshire, BD24 9RH

SPÉCIFICATIONS EPD170LGR

USA
CAN

UK
EU

Capacité de déshumidification	170 pints/day (95 °F RH95%)	80 L/day (35 °C RH95%)
	135 pints/day (86 °F RH80%)	55 L/day (30 °C RH80%)
	80 pints/day (80 °F RH60%)	35 L/day (27 °C RH60%)
Tension/ fréquence	115V ~60Hz	220-240V ~50Hz
Puissance nominale	720W	580 W
Intensité de courant nominale	6.5 A	2.6 A
Air Flow	250 CFM	420 m ³ /h
Niveau sonore	55 dB (A)	55 dB (A)
Réfrigérant	R410A / 0.49 kg (17.3 oz)	R290 / 0.2 kg
Température de service	33 ~100 °F	1 ~38 °C
Poids	66.0 lbs (30 kg)	29 kg
Dimensions (L x H x P)	13.5 x 17.5 x 22.0 inch	345 x 450 x 560 mm
Câble de branchement	25 ft	5 m
Tuyau de drainage	40 ft	12 m



Intertek
5017503



Sous réserve de modifications et d'améliorations

Get In Touch



Call: [0845 6880112](tel:08456880112)



Email: info@adremit.co.uk

Our Address

Puravent, Adremit Limited, Unit 5a, Commercial Yard,
Settle, North Yorkshire, BD24 9RH

DESHUMIDIFICADOR

● EPD170LGR (Low Gas Refrigerant)

iAdvertencia! Lea atentamente el manual de usuario antes de utilizar el dispositivo.



● ¡Gracias!

Muchas gracias por elegir el deshumidificador ECOR PRO. Es un potente deshumidificador adecuado para un uso profesional.

Desde hace más de 50 años, nos hemos especializado tanto en el tratamiento del aire como en la producción y el desarrollo de deshumidificadores y acondicionadores de aire móviles.

Nuestros productos de alta calidad se fabrican de acuerdo con los últimos avances tecnológicos y están especialmente diseñados para conseguir un clima interior limpio, mejor y más agradable.

Para aprovechar al máximo todas las funciones del dispositivo, le recomendamos que lea atentamente este manual.

Guarde las instrucciones en un lugar seguro y al alcance de la mano, para poder consultarlas posteriormente si fuese necesario..

● Instrucciones de seguridad

Por razones de seguridad, lea atentamente estas instrucciones antes de empezar a utilizar el dispositivo. El dispositivo está destinado a un uso profesional, exclusivamente por personal cualificado. Las personas que no estén familiarizadas con el dispositivo no deben utilizarlo.

● Compruebe la tensión de red en la placa descriptiva del producto. El deshumidificador es apto para su uso en interiores únicamente con una toma de corriente con conexión a tierra, con un voltaje de 220-240V (50Hz) para Europa o de 115V (60Hz) para Estados Unidos y Canadá.

USA
CAN

UK
EU

ECOR PRO Industrial Dehumidifier
www.ecor-pro.com Serial Number

Model	EPD170LGR	Power Supply	115V~60Hz
Water Removal	170 pints/day (95°F RH95%) 135 pints/day (86°F RH80%) 80 pints/day (80°F RH60%)	Rated Power	720W
Refrigerant	R410A/0.49kg (17.3oz.)	Rated Current	6.5A
Maximum Operating Pressure High	3.7MPa	Operating Range	33°F~100°F
Maximum Operating Pressure Low	1.8MPa	Net Weight	66.0lbs.

CONFORMS TO UL STD. 60335-1 & 60335-2-40
CERTIFIED TO CSA STD. C22.2 NO.60335-1 & 60335-2-40
Intertek 5017503
Made in P.R.C.

FIRE AND ELECTRIC SHOCK HAZARD
Keep wiring and motor dry.
Do not operate in standing water.
If electrical components become wet, allow to dry completely before using.

Unit must be electrically grounded.
Insert 3-prong plug on power cord directly into matching grounded receptacle.
Do not use with an adaptor.
Read and understand manual before use.

ECOR PRO Industrial Dehumidifier
www.ecor-pro.com Serial Number

Model	EPD170LGR	Power Supply	220-240V~50Hz
Water Removal	80L/day (35°C RH95%) 55L/day (30°C RH80%) 35L/day (27°C RH60%)	Rated Power	580W
Refrigerant	R290/0.2kg	Rated Current	2.6A
Maximum Suction Pressure	2.5MPa	Operating Range	1~38°C
Maximum Discharge Pressure	4.5MPa	Net Weight	29.2 kg

Unit must be electrically grounded.
Insert 3-prong plug on power cord directly into matching grounded receptacle.
Do not use with an adaptor.

FIRE AND ELECTRIC SHOCK HAZARD
Keep wiring and motor dry.
Do not operate in standing water.
If electrical components become wet, allow to dry completely before using.

Get In Touch

Call: 0845 6880112

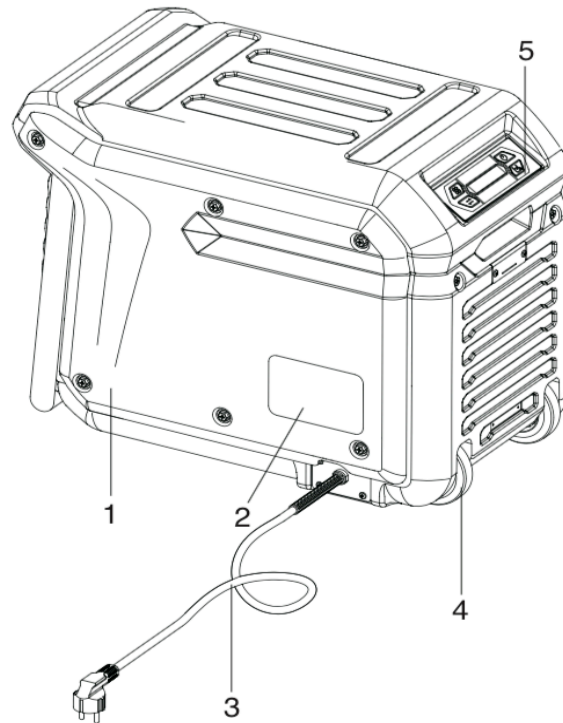
Email: info@adremit.co.uk

Our Address

Puravent, Adremit Limited, Unit 5a, Commercial Yard,
Settle, North Yorkshire, BD24 9RH

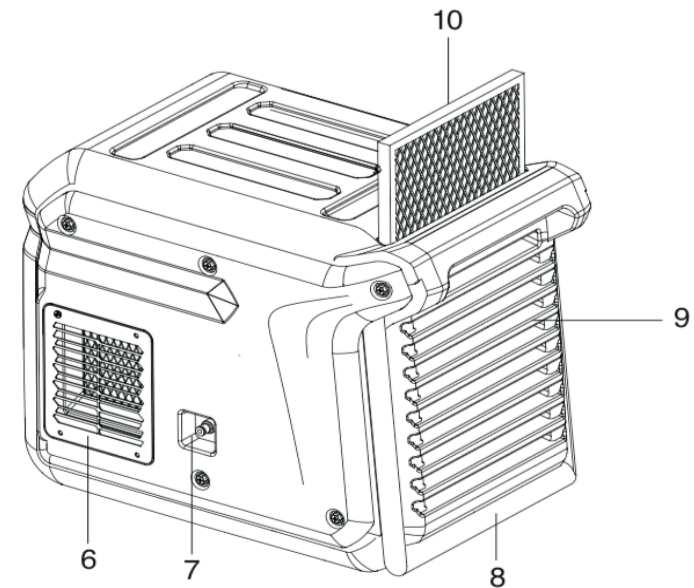
COMO FUNCIONA

- Un ventilador giratorio introduce el aire húmedo en el dispositivo.
Tras pasar por el filtro, las partículas de polvo quedan atrapadas y el aire es enfriado por una bobina de refrigeración. El vapor de agua del aire se condensa en agua, que se descarga a través de una manguera de descarga. A continuación, el aire más seco se calienta por medio de un intercambiador de calor y por el ventilador de la habitación.





Descripción de las piezas

- | | |
|----------------------|--------------------|
| 1. carcasa | 6. salida de aire |
| 2. placa descriptiva | 7. salida del agua |
| 3. cable | 8. mango/palanca |
| 4. ruedas | 9. toma de aire |
| 5. panel de control | 10. filtro |



Get In Touch

-  Call: [0845 6880112](tel:08456880112)
 Email: info@adremit.co.uk

Our Address

Puravent, Adremit Limited, Unit 5a, Commercial Yard,
Settle, North Yorkshire, BD24 9RH

INSTRUCCIONES GENERALES Y DE SEGURIDAD (1)

- La instalación debe cumplir íntegramente las normativas, las disposiciones y los estándares locales. **Tenga en cuenta que el deshumidificador debe haber estado en posición vertical durante al menos 1 hora antes de su uso.**
- - Cuando no esté utilizando el deshumidificador, desconéctelo siempre del enchufe.
 - Mantenga el dispositivo alejado de los niños.
 - El mantenimiento y las reparaciones solo deben ser realizados por personal certificado. De lo contrario, la garantía quedará anulada irrevocablemente.
 - Este deshumidificador es un dispositivo seguro (CE). Sin embargo, como con cualquier dispositivo eléctrico, debe tener cuidado.
- Este deshumidificador es un dispositivo seguro (CE). Sin embargo, como con cualquier dispositivo eléctrico, debe tener cuidado. El refrigerante R290, respetuoso con el medio ambiente, se encuentra en un circuito cerrado; es altamente inflamable. ¡Tenga en cuenta lo siguiente! No debe haber llamas ni fuentes de calor cerca del dispositivo en la misma habitación. El circuito de refrigeración cerrado no debe abrirse. Solo el personal cualificado, formado, certificado y acostumbrado a utilizar refrigerantes inflamables puede llevar a cabo el mantenimiento.

- - Desenchufe siempre el dispositivo antes de limpiarlo o de limpiar cualquiera de sus partes.
 - Nunca limpie el deshumidificador rociándolo o sumergiéndolo en agua.
 - No cubra ni introduzca nada en las aberturas del deshumidificador.
 - Instale el dispositivo únicamente en un área que cumpla con su clasificación IP.



NUNCA conecte el dispositivo con ayuda de un cable de extensión. Si no dispone de una toma de corriente con toma de tierra adecuada, encargue su instalación a un profesional certificado.



El enchufe debe ser siempre fácilmente accesible cuando el dispositivo esté enchufado. Importante: **El dispositivo DEBE estar conectado a tierra siempre. Si la fuente de alimentación no estuviese conectada a tierra, no conecte el dispositivo en ningún caso**



¡Advertencia! No utilice nunca el dispositivo si el cable o el enchufe estuviesen dañados. Si el cable estuviese dañado, deje que un profesional cualificado lo reemplace para evitar peligros y accidentes.

Get In Touch



Call: [0845 6880112](tel:08456880112)



Email: info@adremit.co.uk

Our Address

Puravent, Adremit Limited, Unit 5a, Commercial Yard,
Settle, North Yorkshire, BD24 9RH

INSTRUCCIONES GENERALES Y DE SEGURIDAD (2)

● ¡ ADVERTENCIA SOBRE EL REFRIGERANTE R290 !

UK
EU

El refrigerante R290 es un gas natural inflamable y solo debe ser utilizado por personal certificado. Las fugas de refrigerante pueden provocar incendios y explosiones, por lo que **NUNCA** debe trabajar en el dispositivo usted mismo. **Almacene, instale y utilice el deshumidificador en habitaciones con una superficie mínima de 10 m².**

El R290 es más pesado que el aire. Si el dispositivo tuviese una fuga de gas, la mayor concentración se encontrará cerca del suelo. El R290 (gas propano) es inodoro.

UK
EU

USA
CAN

No utilice nunca el deshumidificador:

- cerca de llamas abiertas (como un cigarrillo, una vela, etc.) o de una fuente de calor (estufa, lámpara caliente).
- en un entorno industrial con riesgo de explosión de gas y/o polvo
- donde el cable pueda sufrir daños o quedar atrapado fácilmente
- si hubiese niños presentes sin supervisión
- si hubiese riesgo de que se derrame líquido sobre o dentro del dispositivo
- donde el dispositivo pueda sufrir daños por productos químicos

El dispositivo NO es apto para reparaciones de bricolaje.

Si se sospecha que haya una fuga de gas, encargue que un ingeniero de servicio certificado lo investigue. En tal caso, aléjese del dispositivo. Evacúe la habitación.

Get In Touch



Call: [0845 6880112](tel:08456880112)



Email: info@adremi.co.uk

Our Address

Puravent, Adremi Limited, Unit 5a, Commercial Yard,
Settle, North Yorkshire, BD24 9RH

INSTALACIÓN (1)

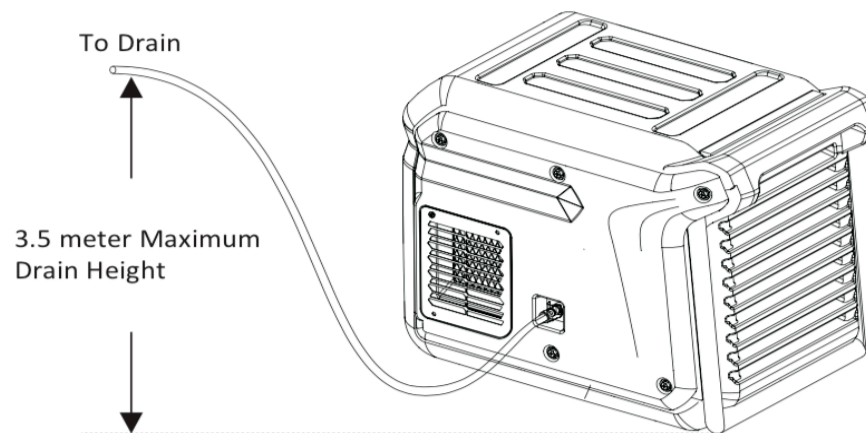
● Antes de la puesta en marcha

Lugar

Para obtener los mejores resultados, utilice el deshumidificador en un espacio cerrado. Cierra las puertas y las ventanas. Coloque el dispositivo cerca de una pared, libre de obstáculos y sin nada que obstruya el flujo de aire (entrada y salida).

Posición

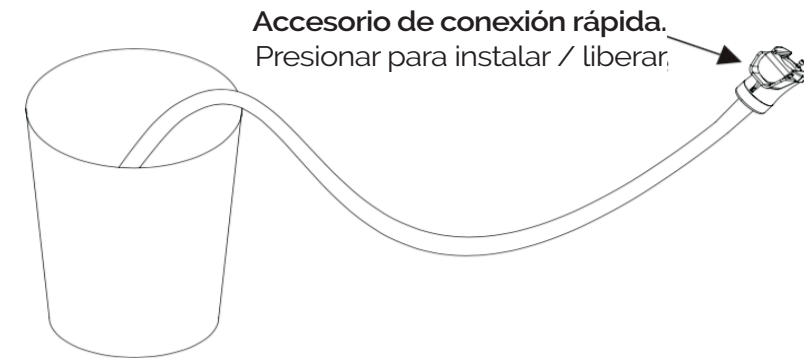
Después de transportar el dispositivo, déjelo siempre en posición vertical durante al menos una hora. Así, el aceite del compresor podrá volver a fluir hacia el compresor desde las bobinas de refrigeración. El dispositivo debe estar en posición vertical y nivelada.



Conexión de la manguera de descarga

Su deshumidificador se suministra con una manguera de descarga. La manguera puede acoplarse al dispositivo con un conector rápido. Desenrolle la manguera de descarga y coloque el extremo en un fregadero, un desagüe, un cubo o fuera de la zona a deshumidificar, donde el agua pueda drenar correctamente. Si utiliza un cubo, vacíelo regularmente para que no se desborde.

Nota: Desenrolle siempre completamente la manguera de descarga. Nunca coloque la punta a más de 3,5 metros de altura. Compruebe que la manguera no esté doblada ni obstruida para que el agua de condensación no se vea obstruida en su flujo. Esto evitará que la bomba tenga fugas.



Get In Touch



Call: [0845 6880112](tel:08456880112)



Email: info@adremit.co.uk

Our Address

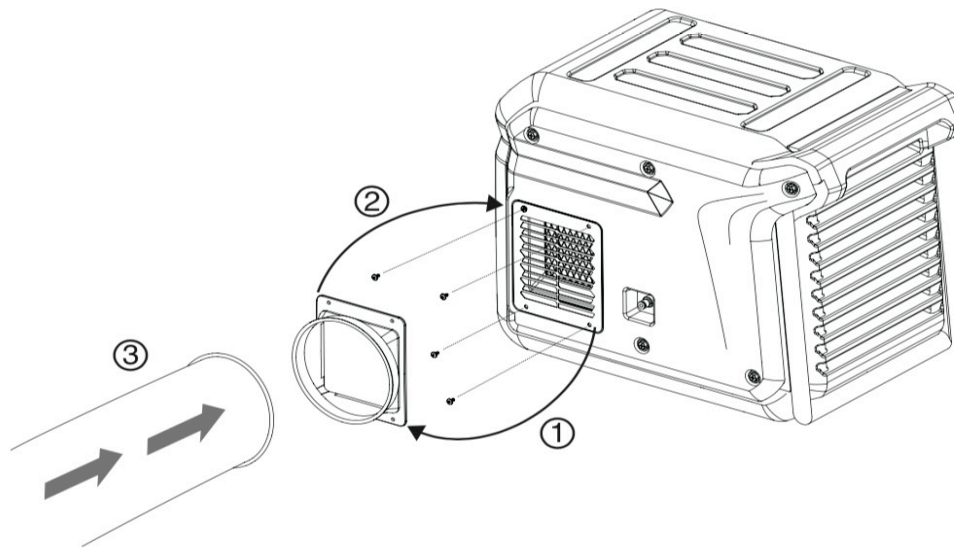
Puravent, Adremit Limited, Unit 5a, Commercial Yard,
Settle, North Yorkshire, BD24 9RH

INSTALACIÓN (2)

● Instalación de una manguera adicional

Puede instalar una manguera externa como opción para los requisitos de secado necesarios

- 1) Afloje los cuatro tornillos del tubo de salida de aire
- 2) Vuelva a colocar el adaptador al revés
- 3) Conecte la manguera al adaptador



Se pueden utilizar correas para asegurar fácilmente el cable de alimentación y la manguera de drenaje.

Get In Touch



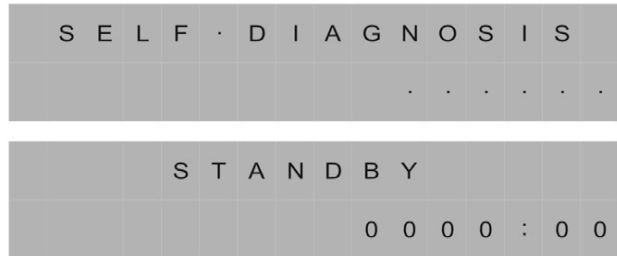
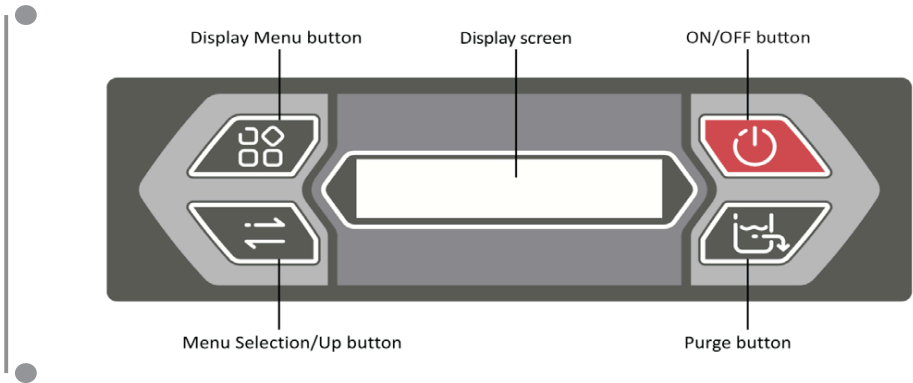
Call: [0845 6880112](tel:08456880112)



Email: info@adremit.co.uk

Our Address

Puravent, Adremit Limited, Unit 5a, Commercial Yard,
Settle, North Yorkshire, BD24 9RH



Panel de control

Menú / Pantalla de visualización / Botón de encendido/ apagado
 Selección de menú / Arriba Botón de la bomba

Menú principal – pantalla
 Enchúfelo en una toma de corriente con conexión a tierra.
 Cuando el dispositivo esté conectado, inicie el procedimiento de diagnóstico.

La pantalla mostrará "self diagnosis". Cuando el dispositivo esté listo, la pantalla mostrará "stand by".

Encendido y apagado del dispositivo
 Pulse el botón "on/off". El dispositivo se pondrá en marcha y la pantalla mostrará "unidad encendida".
 Tiempo de funcionamiento 00:00, valor ajustado (00%), temperatura actual 00°C y humedad actual 00%

Get In Touch

Call: [0845 6880112](tel:08456880112)
 Email: info@adremit.co.uk

Our Address

Puravent, Adremit Limited, Unit 5a, Commercial Yard,
 Settle, North Yorkshire, BD24 9RH





P	L	E	A	S	E	W	A	I	T			
C	O	M	P	D	E	L	A	Y	0	0	0	

Si la pantalla muestra "please wait comp delay" con un número detrás, la protección de retraso del compresor está activada. Empezará una cuenta atrás de 180 a 0 segundos. Después, el dispositivo se pondrá en marcha.



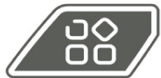
U	N	I	T	O	N	0	0	:	0	0	P	
(0	0	%)		0	0	°	C	0	0	%

Purga

Pulse el botón de la bomba y el dispositivo bombeará la condensación del depósito durante 50 segundos.

Durante el uso, la bomba vacía el depósito cuando está lleno. Esto toma 90 segundos. En la pantalla aparecerá una P en la esquina superior derecha.


Atención: ¡Vacíe el tanque antes de mover el dispositivo!



Menú de la pantalla

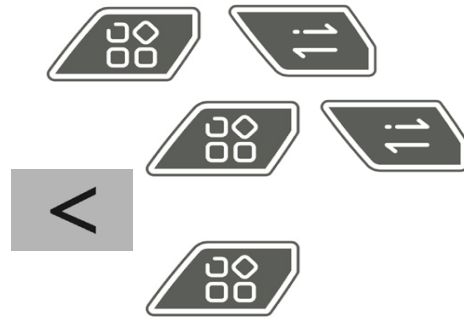
Al pulsar el botón de menú, aparecerán en la pantalla los diferentes ajustes y condiciones del deshumidificador. Espere 10 segundos para volver al menú principal, o mantenga pulsado el botón hasta que vuelva a aparecer el menú principal.

Get In Touch

 Call: [0845 6880112](tel:08456880112)
 Email: info@adremit.co.uk

Our Address

Puravent, Adremit Limited, Unit 5a, Commercial Yard,
 Settle, North Yorkshire, BD24 9RH



J	O	B	H	O	U	R	S				
R	E	S	E	T	>				0	0	: 0 0

L	I	F	E		H	O	U	R	S		
		0	0	0	0	:	0	0			

<	I	N	L	E	T			O	U	T	L	E	T	
0	0	°	C	0	0	%		0	0	°	C	0	0	%

Selección de menú

Pulse el botón de selección de menú para comprobar o cambiar el "User Menu Display", la configuración de usuario. El botón funciona como un "botón UP" para ajustar el valor configurado de la operación.

Ajustes de uso en pantalla

Con el botón de menú y el botón de selección de menú pueden comprobarse y ajustarse diversas funciones. Cada vez que se pulsa el botón de Menú, se hace visible el siguiente parámetro. Una vez que haya llegado al parámetro que desea ajustar, utilice el botón Menú para ajustar el parámetro en cuestión. La flecha en la esquina superior izquierda indica que pueden realizarse ajustes. Tras pulsar el botón del menú principal, el valor configurado se guardará.

Horas de funcionamiento

Pulse el botón de menú para poner a cero las horas de funcionamiento.



Horas de la máquina

"Life hours" muestra el número total de horas de la máquina. Este valor no puede ajustarse.

Temperatura de entrada y salida

La pantalla muestra la temperatura y la humedad actuales

Get In Touch

 Call: [0845 6880112](tel:08456880112)
 Email: info@adremit.co.uk

Our Address

Puravent, Adremit Limited, Unit 5a, Commercial Yard,
Settle, North Yorkshire, BD24 9RH

CÓDIGO DE MENSAJE

Código	Explicación
E1	Sensor de temperatura
E2	Sensor de entrada
E3	Sistema de refrigeración
E4	Bomba
E5	Sensor de salida
EC	Protección de intensidad
D	Protección contra la congelación
P	Vaciar el depósito

Get In Touch



Call: [0845 6880112](tel:08456880112)



Email: info@adremit.co.uk

Our Address

Puravent, Adremit Limited, Unit 5a, Commercial Yard,
Settle, North Yorkshire, BD24 9RH

LIMPIEZA Y MANTENIMIENTO (1)

- **¡Atención! Desconecte siempre de la red eléctrica antes de limpiar o realizar tareas de mantenimiento.**

- El mantenimiento solo puede ser realizado por personal cualificado.
- El dispositivo debe ser desconectado de la red eléctrica antes de retirar las cubiertas.
- Aunque el dispositivo no esté en funcionamiento, el elemento de calefacción aún puede estar caliente.

- **REFRIGERANTE R290 (UK/EU only)**

La refrigeración se lleva a cabo utilizando el refrigerante R290, un gas natural – propano – en un sistema cerrado. Dado que es altamente inflamable, debe tener cuidado: no debe haber llamas abiertas ni fuentes de calor cerca del dispositivo, utilícelo y almacénelo en una habitación con una superficie mínima de 10 m² y lleve a cabo **una inspección anual por un técnico autorizado, que rellenará el refrigerante si fuese necesario.**

- **Limpieza del filtro**

Para retirar el filtro, afloje primero el tornillo del centro (por ejemplo, con una moneda). El dispositivo tiene un filtro de aire de entrada que debe ser revisado periódicamente y limpiado si fuese necesario. Límpielo con una aspiradora o lávelo. Los filtros deben estar completamente secos antes de sustituirlos.

ATENCIÓN: Nunca ponga en marcha el dispositivo sin un filtro, ya que el polvo afectará negativamente a su funcionamiento.

- **Carcasa**

Límpiela regularmente con un paño húmedo, utilizando un producto de limpieza doméstico suave.

Get In Touch



Call: [0845 6880112](tel:08456880112)



Email: info@adremit.co.uk

Our Address

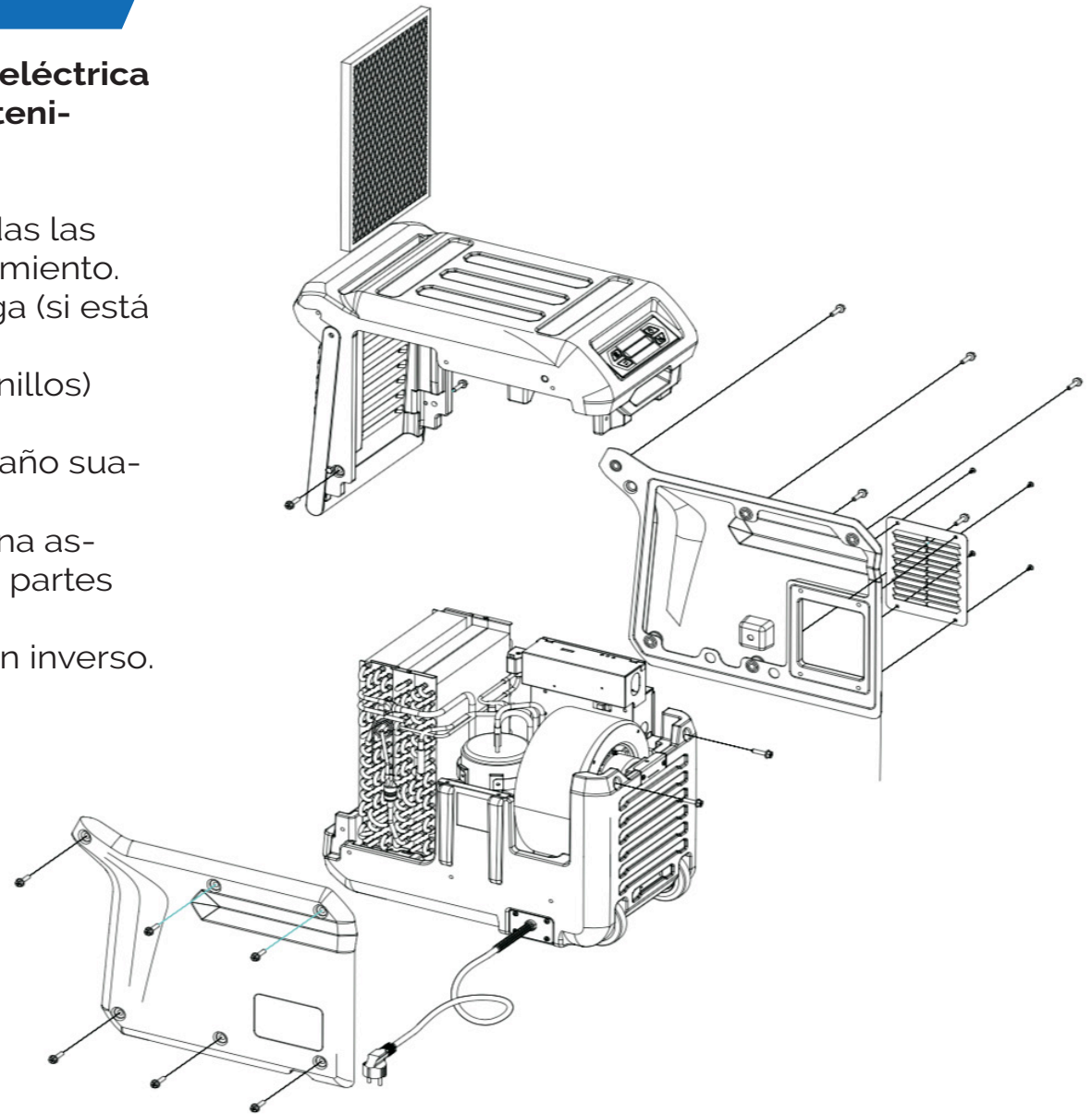
Puravent, Adremit Limited, Unit 5a, Commercial Yard,
Settle, North Yorkshire, BD24 9RH

LIMPIEZA Y MANTENIMIENTO (2)

- **¡Atención! Desconecte siempre de la red eléctrica antes de limpiar o realizar tareas de mantenimiento.**

Mantenga limpios el filtro, las bobinas y todas las rejillas. Esto contribuirá a un buen funcionamiento.

- 1) Retire la manguera en el lado de descarga (si está instalada)
- 2) Desenrosque los paneles laterales (6 tornillos)
- 3) Saque el filtro y límpielo.
- 4) Elimine el polvo de los paneles con un paño suave y seco.
- 5) Limpie cuidadosamente el interior con una aspiradora, teniendo cuidado de no dañar las partes delicadas.
- 6) Coloque los paneles laterales en el orden inverso.



Get In Touch



Call: [0845 6880112](tel:08456880112)



Email: info@adremit.co.uk

Our Address

Puravent, Adremit Limited, Unit 5a, Commercial Yard,
Settle, North Yorkshire, BD24 9RH

SOLUCIÓN DE PROBLEMAS

Fallo	Causa	Solución
El dispositivo tiene fugas cuando se transporta	El depósito no se ha vaciado antes del transporte	Vacíe el depósito antes del transporte
El dispositivo no funciona	El dispositivo no recibe energía	Enchufe el dispositivo, compruebe la toma de corriente y el dispositivo
	El dispositivo no está encendido	Encienda el dispositivo
	Se ha alcanzado el valor configurado de humedad	Seleccione "CO" (deshumidificación continua) si se requiere más deshumidificación
Agua en el suelo	La manguera de descarga no está colocada correctamente	Coloque la manguera correctamente
El dispositivo deshumidifica moderadamente	La temperatura de la habitación es demasiado baja	Aumente la temperatura
	Las puertas y ventanas están abiertas	Cierre todas las puertas y ventanas
	El dispositivo ha estado encendido durante un tiempo demasiado corto	Deje el dispositivo en marcha durante más tiempo
	El filtro de aire, las rejillas y las bobinas están sucias	Compruebe el filtro y limpie todo

Get In Touch



Call: [0845 6880112](tel:08456880112)



Email: info@adremit.co.uk

Our Address

Puravent, Adremit Limited, Unit 5a, Commercial Yard,
Settle, North Yorkshire, BD24 9RH

ESPECIFICACIONES EPD170LGR

USA
CAN

UK
EU

Capacidad de deshumidificación	170 pints/day (95 °F RH95%) 135 pints/day (86 °F RH80%) 80 pints/day (80 °F RH60%)	80 L/day (35 °C RH95%) 55 L/day (30 °C RH80%) 35 L/day (27 °C RH60%)
Tensión/ frecuencia	115V ~60Hz	220-240V ~50Hz
Potencia nominal	720W	580 W
Corriente nominal	6.5 A	2.6 A
Air Flow	250 CFM	420 m ³ /h
Nivel de ruido	55 dB (A)	55 dB (A)
Refrigerante	R410A / 0.49 kg (17.3 oz)	R290 / 0.2 kg
Temperatura de servicio	33 ~100 °F	1 ~38 °C
Peso	66.0 lbs (30 kg)	29 kg
Dimensiones (An x Al x P)	13.5 x 17.5 x 22.0 inch	345 x 450 x 560 mm
Cable de conexión	25 ft	5 m
Manguera de descarga	40 ft	12 m



Intertek
5017503



Sujeto a cambios y mejoras.

Get In Touch



Call: [0845 6880112](tel:08456880112)



Email: info@adremit.co.uk

Our Address

Puravent, Adremit Limited, Unit 5a, Commercial Yard,
Settle, North Yorkshire, BD24 9RH

INDUSTRIE-LUFTENTFEUCHTER

- **EPD170LGR** (Low Gas Refregerant)
Ideal für den Bausektor

Bitte lesen Sie das Benutzerhandbuch sorgfältig durch, bevor Sie Ihr Gerät benutzen.



- Vielen Dank!
Vielen Dank, dass Sie sich für den ECOR PRO Luftentfeuchter entschieden haben. Er ist ein leistungsstarker Luftentfeuchter für den professionellen Einsatz. Seit mehr als 50 Jahren haben wir uns sowohl auf die Luftaufbereitung als auch auf die Produktion und Entwicklung von Luftentfeuchtern und mobilen Klimageräten spezialisiert. Unsere Qualitätsprodukte werden nach den neuesten technologischen Entwicklungen hergestellt und sind speziell darauf ausgerichtet, ein sauberes, besseres und angenehmeres Raumklima zu erreichen. Um sicherzustellen, dass Sie alle Funktionen optimal nutzen können, empfehlen wir Ihnen, dieses Handbuch sorgfältig zu lesen. Bewahren Sie die Anleitung an einem sicheren Ort in Reichweite auf, damit Sie bei Bedarf später darauf zurückgreifen können.

- **Sicherheitsanweisungen**

Bitte lesen Sie diese Anleitung aus Sicherheitsgründen sorgfältig durch, bevor Sie Ihr Gerät in Betrieb nehmen. Das Gerät ist nur für den professionellen Einsatz durch qualifiziertes Personal bestimmt. Personen, die mit diesem Gerät nicht vertraut sind, sollten es nicht verwenden.

- Prüfen Sie die Netzspannung anhand des Typenschilds. Der Luftentfeuchter ist nur für die Verwendung in Innenräumen mit einer geerdeten Steckdose, Spannung 220-240V (50Hz) für Europa oder 115V (60Hz) für USA und Kanada geeignet.

USA
CAN

UK
EU

ECOR PRO Industrial Dehumidifier
www.ecor-pro.com Serial Number

Model	EPD170LGR	Power Supply	115V~60Hz
Water Removal	170 pints/day (95°F RH95%) 135 pints/day (86°F RH80%) 80 pints/day (80°F RH60%)	Rated Power	720W
Refrigerant	R410A/0.49kg (17.3oz.)	Rated Current	6.5A
Maximum Operating Pressure High	3.7MPa	Operating Range	33°F~100°F
Maximum Operating Pressure Low	1.8MPa	Net Weight	66.0lbs.

CONFORMS TO UL STD. 60335-1 & 60335-2-40
CERTIFIED TO CSA STD. C22.2 NO.60335-1 & 60335-2-40
Intertek 5017503
Made in P.R.C.

FIRE AND ELECTRIC SHOCK HAZARD
Keep wiring and motor dry.
Do not operate in standing water.
If electrical components become wet, allow to dry completely before using.

Unit must be electrically grounded.
-Insert 3-prong plug on power cord directly into matching grounded receptacle.
-Do not use with an adaptor.
Read and understand manual before use.

ECOR PRO Industrial Dehumidifier
www.ecor-pro.com Serial Number

Model	EPD170LGR	Power Supply	220-240V~50Hz
Water Removal	80L/day (35°C RH95%) 55L/day (30°C RH80%) 35L/day (27°C RH60%)	Rated Power	580W
Refrigerant	R290/0.2kg	Rated Current	2.6A
Maximum Operating Pressure High	2.5MPa	Operating Range	1~38°C
Maximum Operating Pressure Low	1.8MPa	Net Weight	29.2 kg

CONFORMS TO UL STD. 60335-1 & 60335-2-40
CERTIFIED TO CSA STD. C22.2 NO.60335-1 & 60335-2-40
Intertek 5017503
Made in P.R.C.

FIRE AND ELECTRIC SHOCK HAZARD
Keep wiring and motor dry.
Do not operate in standing water.
If electrical components become wet, allow to dry completely before using.

Unit must be electrically grounded.
-Insert 3-prong plug on power cord directly into matching grounded receptacle.
-Do not use with an adaptor.

WARNING: APPLIANCE SHALL NOT BE INSTALLED, NOT OPERATED AND NOT STORED IN A ROOM WITH A FLOOR AREA LESS THAN 10 M²

Get In Touch

Call: 0845 6880112

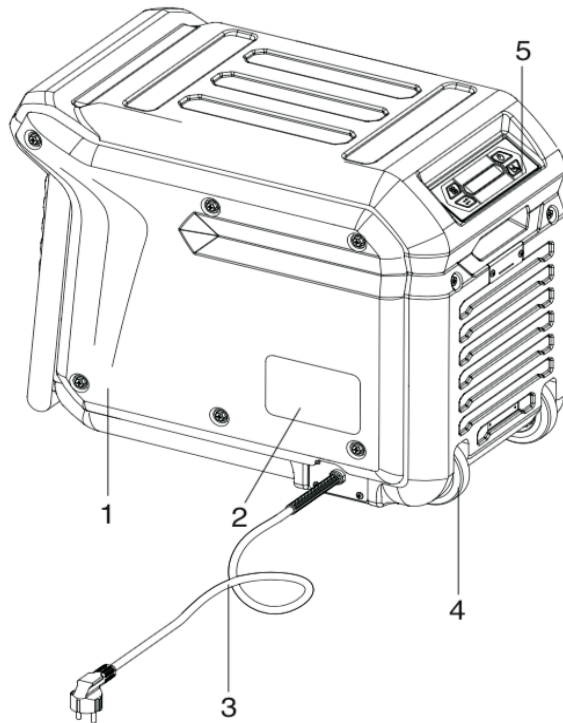
Email: info@adremit.co.uk

Our Address

Puravent, Adremit Limited, Unit 5a, Commercial Yard, Settle, North Yorkshire, BD24 9RH

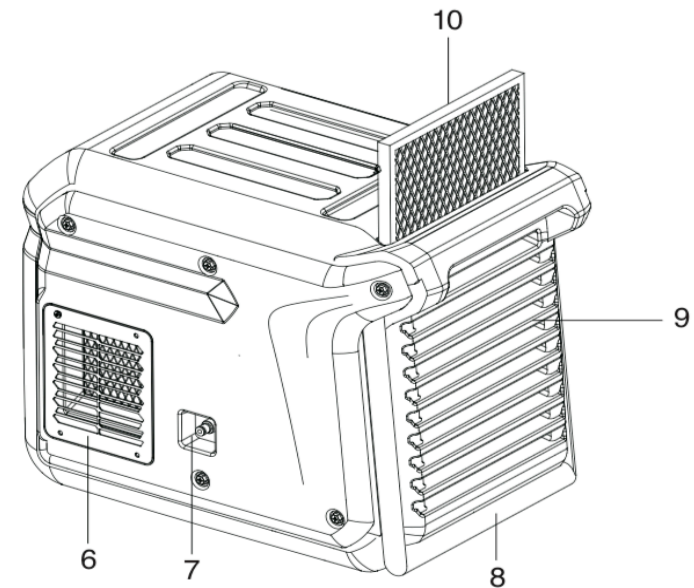
FUNKTIONSWEISE

- Ein rotierender Ventilator saugt feuchte Luft in das Gerät. Nach dem Durchgang durch den Filter, wodurch Staubpartikel zurückgehalten werden, wird die Luft durch eine Kühlspirale abgekühlt. Der Wasserdampf in der Luft kondensiert zu Wasser, das durch einen Ablaufschlauch abgeleitet wird. Die trockenere Luft wird danach mit Hilfe eines Wärmetauschers erwärmt und durch den Ventilator in den Raum zurückgeblasen.





Beschreibung Teile

- | | |
|----------------|-------------------------|
| 1) Gehäuse | 6) Luftauslass |
| 2) Typenschild | 7) Kondenswasser-Ablauf |
| 3) Kabel | 8) Griff/Hebel |
| 4) Räder | 9) Lufteinlass |
| 5) Bedienfeld | 10) Filter |



Get In Touch


-  Call: [0845 6880112](tel:08456880112)
 Email: info@adremit.co.uk

Our Address

Puravent, Adremit Limited, Unit 5a, Commercial Yard,
Settle, North Yorkshire, BD24 9RH

ALLGEMEINES UND SICHERHEIT

- Die Installation muss in vollem Umfang den örtlichen Vorschriften, Bestimmungen und Normen entsprechen.
Bitte beachten Sie, dass der Luftentfeuchter vor der Verwendung mindestens eine Stunde lang aufrecht gestanden haben muss.
 - Wenn Sie den Luftentfeuchter nicht benutzen, ziehen Sie immer den Netzstecker.
 - Halten Sie Kinder von dem Gerät fern.
 - Wartung und Reparaturen sollten nur von zertifiziertem Personal durchgeführt werden. Andernfalls erlischt die Garantie.
 - Dieser Luftentfeuchter ist ein sicheres Gerät (CE). Seien Sie jedoch, wie bei jedem elektrischen Gerät, vorsichtig.
- Das umweltfreundliche Kältemittel R290 befindet sich in einem geschlossenen Kreislauf; es ist hochentzündlich. Achten Sie darauf, dass sich keine offenen Flammen oder Wärmequellen in der Nähe des Geräts im gleichen Raum befinden. Der geschlossene Kühlkreislauf darf nicht geöffnet werden. Nur qualifiziertes, geschultes, zertifiziertes und im Umgang mit brennbaren Kältemitteln geübtes Personal darf die Wartung durchführen.

- Dieses Gerät ist nicht für die Verwendung durch unqualifizierte Personen geeignet.
 - Ziehen Sie immer den Netzstecker, bevor Sie das Gerät oder Teile davon reinigen.
 - Reinigen Sie den Luftentfeuchter niemals durch Besprühen mit Wasser oder durch Eintauchen in Wasser.
 - Decken Sie die Öffnungen des Luftentfeuchters nicht ab und stecken Sie keine Gegenstände hinein.
 - Installieren Sie das Gerät nur in einem Bereich, der seiner IP-Schutzart entspricht.
-  Schließen Sie das Gerät NIEMALS über ein Verlängerungskabel an. Wenn keine geeignete Schutzkontaktsteckdose vorhanden ist, lassen Sie diese von einem zertifizierten Fachmann installieren. Der Stecker muss immer leicht zugänglich sein, wenn das Gerät angeschlossen ist.
- Wichtig! Das Gerät MUSS immer mit der Erde verbunden sein. Wenn die Spannungsversorgung nicht geerdet ist, schließen Sie das Gerät auf keinen Fall an.**
-  Vorsicht! Verwenden Sie das Gerät niemals, wenn das Kabel oder der Stecker beschädigt ist. Wenn das Kabel beschädigt ist, lassen Sie es von einer qualifizierten Fachkraft austauschen, um Gefahren und Unfälle zu vermeiden.

Get In Touch



Call: [0845 6880112](tel:08456880112)



Email: info@adremit.co.uk

Our Address

Puravent, Adremit Limited, Unit 5a, Commercial Yard,
Settle, North Yorkshire, BD24 9RH

GENERAL AND SAFETY (2)

● Warnung für Kältemittel R290!

UK
EU

Das Kältemittel R290 ist ein brennbares natürliches Gas und darf nur von zertifiziertem Personal verwendet werden. Auslaufendes Kältemittel kann Feuer und Explosion verursachen, deshalb NIEMALS selbst das Gerät öffnen! Lagern, installieren und verwenden Sie den Luftentfeuchter in Räumen mit einer Grundfläche **von mindestens 10 m²**.

R290 ist schwerer als Luft. Wenn aus dem Gerät Gas austritt, befindet sich die höchste Konzentration in Bodennähe. R290 (Propan-gas) ist geruchlos.

UK
EU

USA
CAN

Verwenden Sie den Luftentfeuchter niemals:

- in der Nähe von offenen Flammen (z. B. Zigarette, Kerze usw.) oder einer Wärmequelle (Ofen, heiße Lampe);
- in einer industriellen Umgebung mit der Gefahr einer Gas- und/oder Staubexplosion;
- wo das Kabel leicht beschädigt oder eingeklemmt werden kann;
- wenn Kinder unbeaufsichtigt anwesend sind;
- wenn die Gefahr besteht, dass Flüssigkeit auf oder in das Gerät verschüttet wird;
- wo das Gerät durch Chemikalien beschädigt werden kann.

Das Gerät ist NICHT zur Selbstreparatur geeignet.

Wenn ein Gasleck vermutet wird, lassen Sie dies von einem zertifizierten Servicetechniker untersuchen. Halten Sie sich dann von dem Gerät fern. Evakuieren Sie den Raum.

Get In Touch



Call: [0845 6880112](tel:08456880112)



Email: info@adremit.co.uk

Our Address

Puravent, Adremit Limited, Unit 5a, Commercial Yard,
Settle, North Yorkshire, BD24 9RH

INSTALLATION (1)

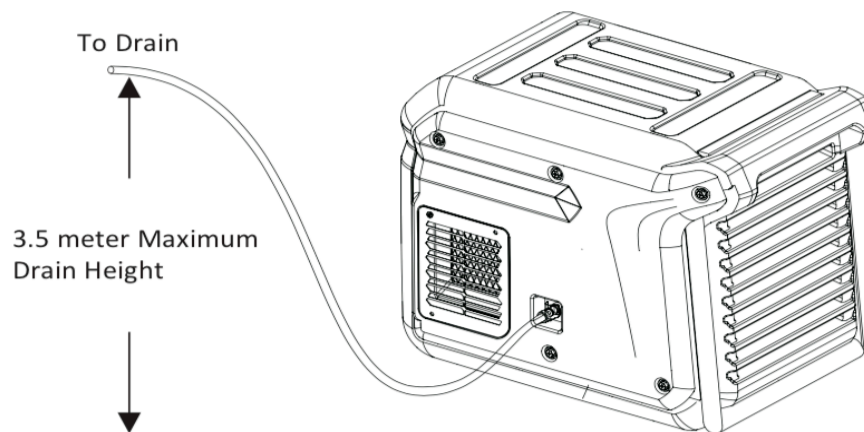
● Vor der Inbetriebnahme

Ort

Die besten Ergebnisse erzielen Sie, wenn Sie Ihren Luftentfeuchter in einem geschlossenen Raum betreiben. Schließen Sie Türen und Fenster. Stellen Sie das Gerät in der Nähe einer Wand auf, frei von Hindernissen und frei von allem, was den Luftstrom (Einlass und Auslass) behindert.

Stand

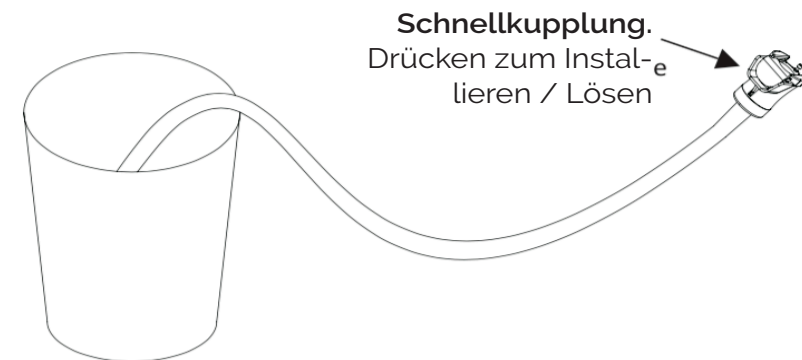
Lassen Sie das Gerät nach dem Transport immer mindestens eine Stunde lang aufrecht stehen. Das Öl aus dem Kompressor kann dann von den Kühlschlangen zurück in den Kompressor fließen. Das Gerät muss aufrecht und waagrecht stehen.



● Anschluss Ablaufschlauch

Ihr Luftentfeuchter wird mit einem Ablaufschlauch geliefert. Der Schlauch kann mit einer Schnellkupplung am Gerät befestigt werden. Rollen Sie den Ablaufschlauch ab und legen Sie das Ende in ein Waschbecken, einen Abfluss, einen Eimer oder außerhalb des zu entfeuchtenden Bereichs, wo das Wasser gut ablaufen kann. Wenn Sie einen Eimer verwenden, leeren Sie den Eimer regelmäßig, damit er nicht überläuft.

PS: Rollen Sie den Ablaufschlauch immer vollständig ab. Platzieren Sie das Schlauchende niemals höher als 3,5 Meter. Prüfen Sie den Schlauch auf Knicke und Verstopfungen, damit das Kondenswasser ungehindert abfließen kann. Dadurch wird verhindert, dass die Pumpe undicht wird.



Get In Touch

Call: [0845 6880112](tel:08456880112)

Email: info@adremit.co.uk

Our Address

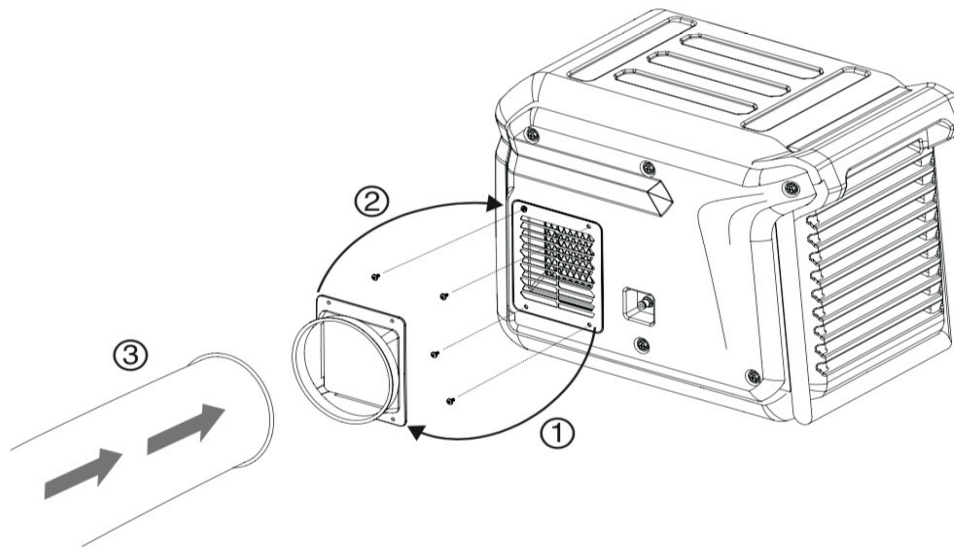
Puravent, Adremit Limited, Unit 5a, Commercial Yard,
Settle, North Yorkshire, BD24 9RH

INSTALLATION (2)

● Installation eines zusätzlichen Schlauchs

Für bestimmte Trocknungsanforderungen kann optional ein externer Schlauch montiert werden.

- 1) Lösen Sie die vier Schrauben am Luftauslass.
- 2) Setzen Sie den Adapter verkehrt herum ein.
- 3) Befestigen Sie den Schlauch am Adapter.



Das Netzkabel und der Abflussschlauch können mit Hilfe von Gurten einfach gesichert werden.

Get In Touch



Call: [0845 6880112](tel:08456880112)



Email: info@adremit.co.uk

Our Address

Puravent, Adremit Limited, Unit 5a, Commercial Yard,
Settle, North Yorkshire, BD24 9RH

P	L	E	A	S	E	W	A	I	T			
C	O	M	P	D	E	L	A	Y	0	0	0	

Wenn das Display „please wait comp delay“ mit einer Zahl dahinter anzeigt, ist der Kompressor-Verzögerungsschutz eingeschaltet und es wird ein Countdown von 180 auf 0 Sekunden durchgeführt. Danach startet das Gerät.



U	N	I	T	O	N	0	0	:	0	0	P
(0	0	%)	0	0	°	C	0	0	%

Purge (Entleeren)

Drücken Sie die Pumpentaste, das Gerät pumpt 50 Sekunden lang das Kondenswasser aus dem Behälter. Während des Gebrauchs pumpt die Pumpe den Behälter leer, wenn er voll ist. Dies dauert 90 Sekunden. Auf dem Bildschirm erscheint ein P in der oberen rechten Ecke.

Wichtig! Entleeren Sie den Tank, bevor Sie das Gerät bewegen!



Menü anzeigen

Durch Drücken der Menütaste werden die verschiedenen Einstellungen und Zustände des Luftentfeuchters auf dem Display angezeigt. Warten Sie 10 Sekunden, bis Sie wieder zum Hauptmenü zurückgelangen. Oder drücken Sie die Taste so lange, bis das Hauptmenü wieder angezeigt wird.

Get In Touch



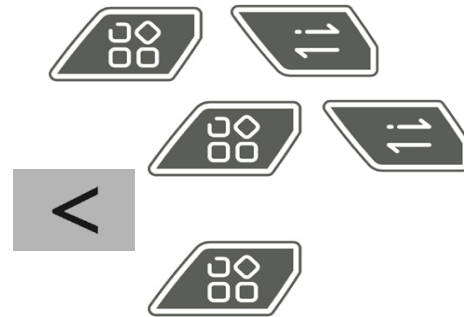
Call: [0845 6880112](tel:08456880112)



Email: info@adremit.co.uk

Our Address

Puravent, Adremit Limited, Unit 5a, Commercial Yard,
Settle, North Yorkshire, BD24 9RH



J	O	B	H	O	U	R	S							
R	E	S	E	T	>					0	0	:	0	0

L	I	F	E		H	O	U	R	S				
				0	0	0	0	:	0	0			

<	I	N	L	E	T			O	U	T	L	E	T	
0	0	°	C	0	0	%		0	0	°	C	0	0	%

Menüauswahl

Drücken Sie die Menüauswahltaste, um die Einstellung des „User Menu Display“ zu prüfen oder zu ändern. Die Taste dient als „UP-Button“ (Aufwärts-Taste), um den eingestellten Wert des Vorgangs anzupassen.

Mit der Menütaste und der Menüauswahltaste können verschiedene Funktionen überprüft und eingestellt werden. Jedes Mal, wenn die Menütaste gedrückt wird, wird der nächste Parameter sichtbar. Wenn Sie bei dem Parameter angekommen sind, den Sie einstellen möchten, verwenden Sie die Menüauswahltaste, um den Parameter zu ändern. Der Pfeil in der oberen linken Ecke zeigt an, dass Einstellungen vorgenommen werden können. Nach Drücken der Hauptmenütaste wird der eingestellte Wert gespeichert.

Betriebsstunden

Drücken Sie die Menüauswahltaste, um die Betriebsstunden auf 0 zurückzusetzen.

Maschinenstunden

„Life hours“ zeigt die Gesamtzahl der Maschinenstunden an. Dieser Wert kann nicht eingestellt werden.

Ein- und Auslasstemperatur

Das Display zeigt die aktuellen Temperaturen und die Luftfeuchtigkeit an.

Get In Touch

 Call: [0845 6880112](tel:08456880112)
 Email: info@adremit.co.uk

Our Address

Puravent, Adremit Limited, Unit 5a, Commercial Yard,
Settle, North Yorkshire, BD24 9RH

FEHLERMELDUNG

Fehler	Anweisung
E1	Temperatursensor
E2	Einlass-Sensor
E3	Kühlanlage
E4	Pumpe
E5	Auslass-Sensor
EC	Stromstärkeschutz
D	Einfrierschutz
P	Entleeren des Behälters

Get In Touch



Call: [0845 6880112](tel:08456880112)



Email: info@adremit.co.uk

Our Address

Puravent, Adremit Limited, Unit 5a, Commercial Yard,
Settle, North Yorkshire, BD24 9RH

REINIGUNG UND WARTUNG (1)

- **Wichtig! Trennen Sie das Gerät vor Reinigungs- oder Wartungsarbeiten immer von der Stromversorgung.**

- Die Wartung darf nur von qualifiziertem Personal durchgeführt werden.
- Das Gerät muss vom Netz getrennt werden, bevor die Abdeckungen entfernt werden.
- Wenn das Gerät nicht in Betrieb ist, kann das Heizelement noch heiß sein.

- **KÄLTEMITTEL R290 (nur UK und EU)**

Die Kühlung wird durch die Verwendung des Kältemittels R290, ein natürlich vorkommendes Gas (Propan), in einem geschlossenen System erreicht. Da es leicht entflammbar ist, ist Vorsicht geboten: keine offene Flamme oder Wärmequelle in der Nähe des Geräts, Verwendung und Lagerung in einem Raum mit einer Grundfläche **von mindestens 10 m²**, jährliche Inspektion durch einen autorisierten Techniker, der das Kältemittel bei Bedarf nachfüllt.

- **Reinigung des Filters**

Um den Filter zu entfernen, lösen Sie zunächst die Schraube in der Mitte (z. B. mit einer Münze).

Das Gerät verfügt über einen Einlassluftfilter, der regelmäßig überprüft und ggf. gereinigt werden sollte. Reinigen Sie ihn mit einem Staubsauger oder waschen Sie ihn ab. Die Filter müssen vor dem Wiedereinbau vollständig trocken sein.

WICHTIG! Betreiben Sie das Gerät niemals ohne Filter, da Staub den Betrieb beeinträchtigt.

- **GEHÄUSE**

Regelmäßig mit einem feuchten Tuch und einem milden Haushaltsreiniger abwischen.

Get In Touch



Call: [0845 6880112](tel:08456880112)



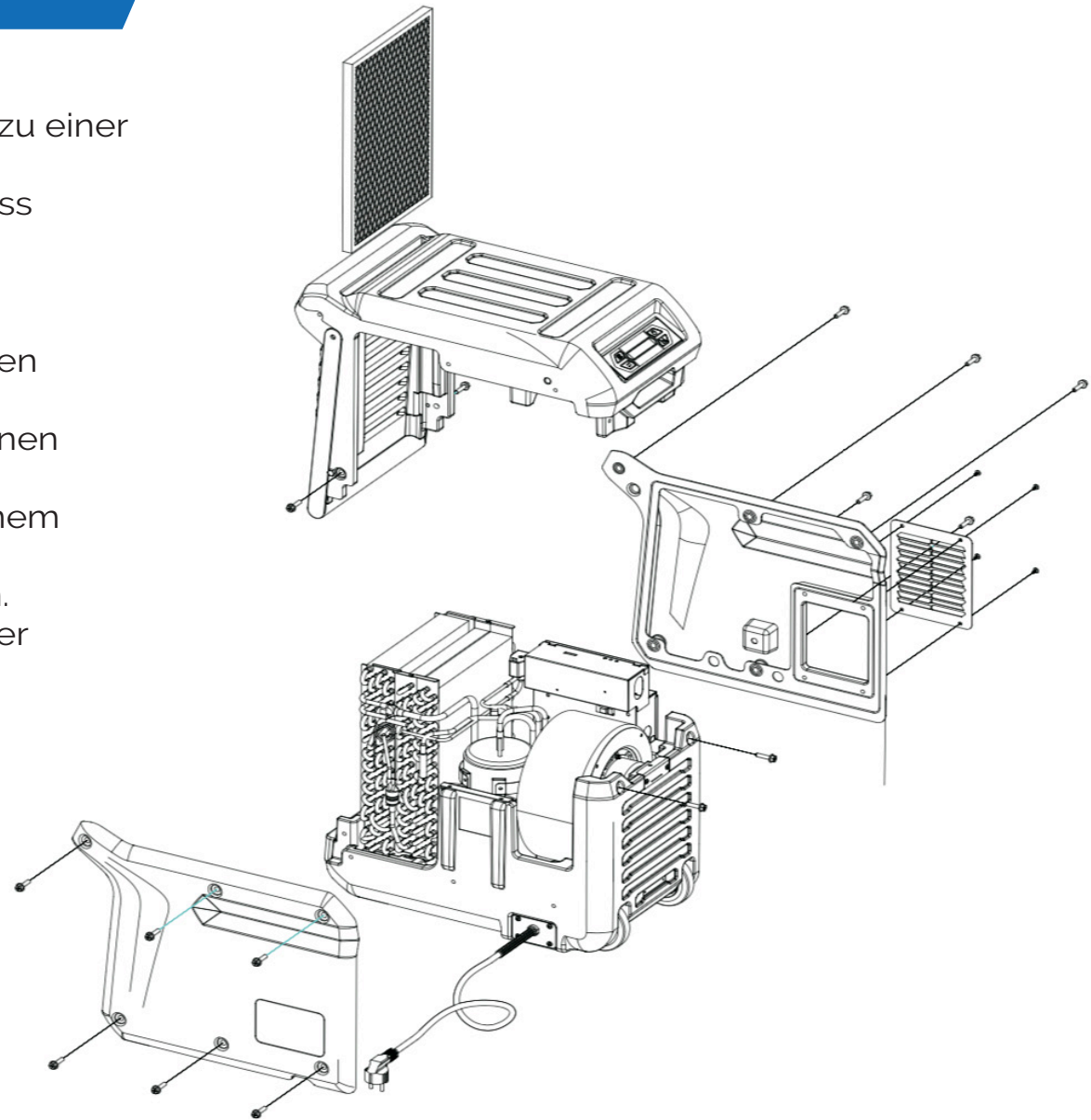
Email: info@adremit.co.uk

Our Address

Puravent, Adremit Limited, Unit 5a, Commercial Yard,
Settle, North Yorkshire, BD24 9RH

REINIGUNG UND WARTUNG (2)

- Reinigen Sie regelmäßig den Filter, die Spiralen und alle Lüftungsgitter. Dies trägt zu einer guten Funktion bei.
 - 1) Entfernen Sie den Schlauch an der Auslassseite (falls vorhanden).
 - 2) Schrauben Sie die Seitenteile ab (6 Schrauben).
 - 3) Nehmen Sie den Filter heraus und reinigen Sie ihn.
 - 4) Entfernen Sie mit einem weichen, trockenen Tuch den Staub von den Platten.
 - 5) Reinigen Sie das Innere vorsichtig mit einem Staubsauger, achten Sie darauf, empfindliche Teile nicht zu beschädigen.
 - 6) Bringen Sie die Seitenteile in umgekehrter Reihenfolge an.



Get In Touch



Call: [0845 6880112](tel:08456880112)



Email: info@adremit.co.uk

Our Address

Puravent, Adremit Limited, Unit 5a, Commercial Yard,
Settle, North Yorkshire, BD24 9RH

BEHEBUNG VON FEHLFUNKTIONEN

Fehler	Ursache	Lösung
Das Gerät ist während des Transports undicht.	Der Tank wurde vor dem Transport nicht entleert.	Entleeren Sie den Tank vor dem Transport.
Das Gerät funktioniert nicht.	Das Gerät hat keinen Strom.	Schließen Sie das Gerät an, prüfen Sie die Steckdose und das Gerät.
	Das Gerät ist nicht eingeschaltet.	Schalten Sie das Gerät ein.
	Der Sollwert der Luftfeuchtigkeit ist erreicht.	Wählen Sie CO (kontinuierliche Entfeuchtung), wenn eine weitere Entfeuchtung erforderlich ist.
Es befindet sich Wasser auf dem Boden.	Der Ablaufschlauch ist nicht richtig befestigt.	Befestigen Sie den Schlauch richtig.
Das Gerät entfeuchtet nur mäßig.	Die Temperatur im Raum ist zu niedrig. Türen und Fenster sind geöffnet.	Erhöhen Sie die Temperatur.
	Das Gerät ist erst zu kurz eingeschaltet.	Schließen Sie alle Türen und Fenster.
	Der Luftfilter, die Gitter und die Spiralen sind verschmutzt.	Lassen Sie das Gerät länger in Betrieb.
		Prüfen Sie den Filter und reinigen Sie alle Bauteile.

Get In Touch



Call: [0845 6880112](tel:08456880112)



Email: info@adremit.co.uk

Our Address

Puravent, Adremit Limited, Unit 5a, Commercial Yard,
Settle, North Yorkshire, BD24 9RH

SPEZIFIKATIONEN EPD170LGR

USA
CAN

UK
EU

Entfeuchtungsleistung	170 pints/day (95 °F RH95%)	80 L/day (35 °C RH95%)
	135 pints/day (86 °F RH80%)	55 L/day (30 °C RH80%)
	80 pints/day (80 °F RH60%)	35 L/day (27 °C RH60%)
Spannung/Frequenz	115V ~60Hz	220-240V ~50Hz
Nennleistung	720W	580 W
Nennstromstärke	6.5 A	2.6 A
Air Flow	250 CFM	420 m ³ /h
Geräuschpegel	55 dB (A)	55 dB (A)
Kältemittel	R410A / 0.49 kg (17.3 oz)	R290 / 0.2 kg
Betriebstemperatur	33 ~100 °F	1 ~38 °C
Gewicht	66.0 lbs (30 kg)	29 kg
Abmessungen (B x H x T)	13.5 x 17.5 x 22.0 inch	345 x 450 x 560 mm
Anschlusskabel	25 ft	5 m
Kondenswasser-Ablaufschlauch	40 ft	12 m



Intertek
5017503



Änderungen und Verbesserungen vorbehalten.

62

Get In Touch



Call: [0845 6880112](tel:08456880112)



Email: info@adremit.co.uk

Our Address

Puravent, Adremit Limited, Unit 5a, Commercial Yard,
Settle, North Yorkshire, BD24 9RH

INDUSTRIËLE LUCHTONTVOCHTIGER

EPD170LGR (low gas refrigerant)
Zeer geschikt voor de bouwsector.

Lees zorgvuldig de gebruikershandleiding voordat u uw apparaat gebruikt.



Dank u!
Hartelijk dank dat u de ECOR PRO luchtontvochtiger hebt gekozen. Het is een krachtige luchtontvochtiger geschikt voor professioneel gebruik. Al meer dan 50 jaar zijn wij gespecialiseerd op het gebied van zowel luchtbehandeling als van productie en ontwikkeling van luchtontvochtigers en mobiele airconditioners. Onze kwaliteitsproducten worden geproduceerd volgens de nieuwste technologische ontwikkelingen en zijn speciaal ontworpen om een zuiver, beter en aangenamer binnenklimaat te realiseren. Om ervoor te zorgen dat u optimaal profijt hebt van alle mogelijkheden is het raadzaam deze gebruiksaanwijzing zorgvuldig te lezen. Bewaar de instructies goed en binnen handbereik, zodat u ze desgewenst op een later tijdstip nog eens kunt raadplegen.

Veiligheidsinstructies

Om veiligheidsredenen moet u deze gebruiksaanwijzing zorgvuldig lezen, voordat u uw apparaat in gebruik neemt. Het apparaat is uitsluitend bedoeld voor professioneel gebruik door gekwalificeerd personeel. Personen die niet vertrouwd zijn met dit apparaat moeten het niet gebruiken.

Controleer de netspanning met het typeplaatje. De luchtontvochtiger is uitsluitend geschikt voor gebruik binnenshuis in combinatie met een geaard stopcontact, aansluitspanning 220–240 Volt (50 Hz) voor Europa of 115V (60Hz) voor USA en Canada.

USA
CAN

UK
EU

ECOR PRO Industrial Dehumidifier
www.ecor-pro.com Serial Number

Model	EPD170LGR	Power Supply	115V~60Hz
Water Removal	170 pints/day (95°F RH95%)	Rated Power	720W
	135 pints/day (86°F RH80%)	Rated Current	6.5A
	80 pints/day (80°F RH60%)	Operating Range	33°F~100°F
Refrigerant	R410A/0.49kg (17.3oz.)	Net Weight	66.0lbs.
Maximum Operating Pressure High	3.7MPa	CONFORMS TO UL STD. 48335-1 & 48335-2-40	
Maximum Operating Pressure Low	1.8MPa	CERTIFIED TO CSA STD. C22.2 NO.60335-1 & 60335-2-40	
		Intertek 5917503	
		Made in P.R.C.	

FIRE AND ELECTRIC SHOCK HAZARD
Keep wiring and motor dry. Do not operate in standing water. If electrical components become wet, allow to dry completely before using.

Unit must be electrically grounded.
-Insert 3-prong plug on power cord directly into matching grounded receptacle.
-Do not use with an adaptor.
Read and understand manual before use.

ECOR PRO Industrial Dehumidifier
www.ecor-pro.com Serial Number

Model	EPD170LGR	Power Supply	220-240V~50Hz
Water Removal	80L/day (35°C RH95%)	Rated Power	580W
	55L/day (30°C RH80%)	Rated Current	2.6A
	35L/day (27°C RH60%)	Operating Range	1~38°C
Refrigerant	R290/0.2kg	Net Weight	29.2 kg
Maximum Suction Pressure	2.5MPa	CONFORMS TO UL STD. 48335-1 & 48335-2-40	
Max Discharge Pressure	4.5MPa	CERTIFIED TO CSA STD. C22.2 NO.60335-1 & 60335-2-40	
		Intertek 5917503	
		Made in P.R.C.	

Unit must be electrically grounded.
-Insert 3-prong plug on power cord directly into matching grounded receptacle.
-Do not use with an adaptor.

FIRE AND ELECTRIC SHOCK HAZARD
Keep wiring and motor dry. Do not operate in standing water. If electrical components become wet, allow to dry completely before using.

WARNING: APPLIANCE SHALL NOT BE INSTALLED, NOT OPERATED AND NOT STORED IN A ROOM WITH A FLOOR AREA LESS THAN 10 M²

Get In Touch

Call: 0845 6880112

Email: info@adremit.co.uk

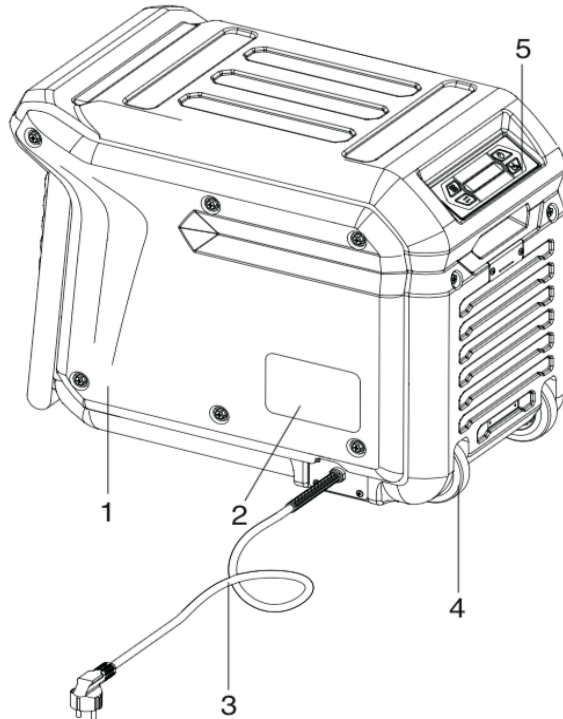
Our Address

Puravent, Adremit Limited, Unit 5a, Commercial Yard,
Settle, North Yorkshire, BD24 9RH

WERKING

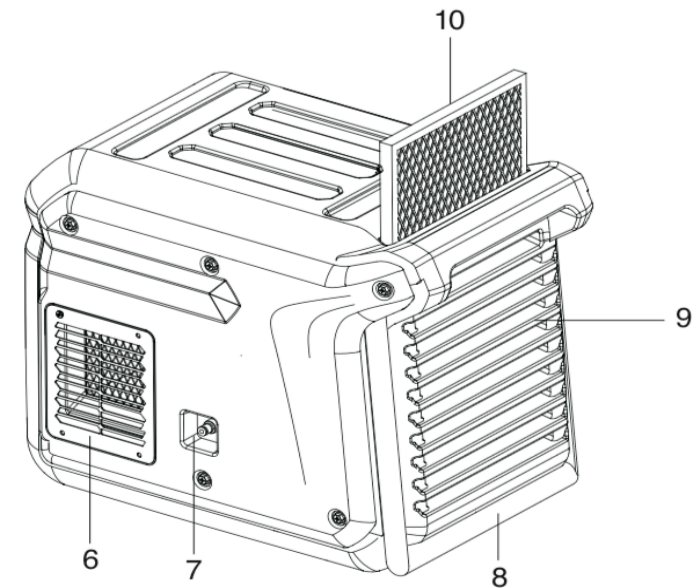
Door een draaiende ventilator wordt vochtige lucht in het apparaat gezogen.

Na het passeren van het filter, waardoor stofdeeltjes worden tegengehouden, wordt de lucht door een koelspiraal afgekoeld. De waterdamp in de lucht condenseert tot water dat via een afvoerslang wordt afgevoerd. De drogere lucht wordt daarna verwarmd met behulp van een warmtewisselaar en door de ventilator in de ruimte teruggeblazen.



Beschrijving onderdelen

- | | |
|-------------------|------------------------|
| 1 behuizing | 6 uitblaas droge lucht |
| 2 typeplaatje | 7 condenswater afvoer |
| 3 snoer | 8 handgreep/hendel |
| 4 wielen | 9 luchtinlaat |
| 5 controle paneel | 10 filter |



Get In Touch

Call: [0845 6880112](tel:08456880112)

Email: info@adremit.co.uk

Our Address

Puravent, Adremit Limited, Unit 5a, Commercial Yard,
Settle, North Yorkshire, BD24 9RH

ALGEMEEN EN VEILIGHEID

De installatie moet volledig in overeenstemming zijn met de ter plaatse geldende voorschriften, bepalingen en normen.

Let op: vóór de ingebruikname moet deze

- **luchtontvochtiger minimaal 1 uur rechtop hebben gestaan.**

- Als u de luchtontvochtiger niet gebruikt, haal dan altijd de stekker uit het stopcontact.
- Houdt kinderen buiten het bereik van het apparaat.
- Onderhoud en reparaties dienen uitsluitend door gecertificeerd personeel worden uitgevoerd. De garantie vervalt anders onherroepelijk.
- Deze luchtontvochtiger is een veilig apparaat (CE). Toch dient u, zoals bij ieder elektrisch apparaat, voorzichtig te zijn. Het milieuvriendelijke koelmiddel R290 zit in een gesloten circuit; het is licht ontvlambaar. Neem dit in acht:!
Geen open vuur of warmtebronnen in de nabijheid van het apparaat in dezelfde ruimte. Het gesloten koelcircuit mag niet worden geopend. Uitsluitend kundig personeel, opgeleid, gecertificeerd en gewend met het gebruik van brandgevaarlijke koelmiddelen mag onderhoud uitvoeren.

- Haal altijd eerst de stekker uit het stopcontact voordat het apparaat of een onderdeel ervan wordt gereinigd.
- Reinig de luchtontvochtiger nooit door het apparaat met water te besproeien of in water te dompelen.
- Dek de openingen van de luchtontvochter niet af en steek er niets in.
- Plaats het apparaat uitsluitend in een ruimte die in overeenstemming is met de IP-klasse.



Sluit het apparaat **NOOIT** aan met behulp van een verlengsnoer. Is een geschikt geaard stopcontact niet aanwezig, laat dit dan installeren door een gecertificeerd vakman.



De stekker moet altijd makkelijk toegankelijk zijn als het apparaat is aangesloten.

Belangrijk: Het apparaat MOET altijd geaard worden aangesloten. Als de stroomvoorziening niet is geaard, mag u het apparaat absoluut niet aansluiten.



Waarschuwing! Gebruik het apparaat nooit als het snoer of de stekker is beschadigd. Laat het snoer, als het is beschadigd, vervangen door een erkende vakman om gevaar en ongelukken te voorkomen

Get In Touch



Call: [0845 6880112](tel:08456880112)



Email: info@adremit.co.uk

Our Address

Puravent, Adremit Limited, Unit 5a, Commercial Yard,
Settle, North Yorkshire, BD24 9RH

ALGEMEEN EN VEILIGHEID

UK
EU

UK
EU

USA
CAN

Waarschuwing voor koelmiddel R290!

Het R290 koelmiddel is een ontvlambaar natuurlijk gas en mag uitsluitend door gecertificeerd personeel worden gebruikt. Lekkend koelmiddel kan brand en explosie veroorzaken, knutsel daarom **NOOIT** zelf aan het apparaat! **Bewaar, installeer en gebruik de ontvochtiger in ruimten met tenminste 15m² vloeroppervlak.**

R290 is zwaarder dan lucht. Als het apparaat gas lekt, is de hoogste concentratie bij de vloer. R290 (propaangas) is reukloos.

Gebruik de luchtontvochtiger nooit:

- in de buurt van open vuur (zoals sigaret, kaars e.d.) of een warmtebron (kachel, hete lamp)
 - in een industriële omgeving met gas- en/of stofexplosie risico
 - daar waar het snoer gemakkelijk beschadigd of bekneld kan raken
 - als kinderen zonder toezicht aanwezig zijn
 - als het risico bestaat dat vloeistof op of in het apparaat valt
 - daar waar het apparaat door chemicaliën beschadigd kan worden
- Het apparaat is **NIET** geschikt voor doe-het-zelf reparatie.

Laat bij het vermoeden van een gaslek een gecertificeerde service engineer onderzoek doen. Blijf dan uit de buurt van het apparaat. Evacueer de ruimte.

Get In Touch



Call: [0845 6880112](tel:08456880112)



Email: info@adremit.co.uk

Our Address

Puravent, Adremit Limited, Unit 5a, Commercial Yard,
Settle, North Yorkshire, BD24 9RH

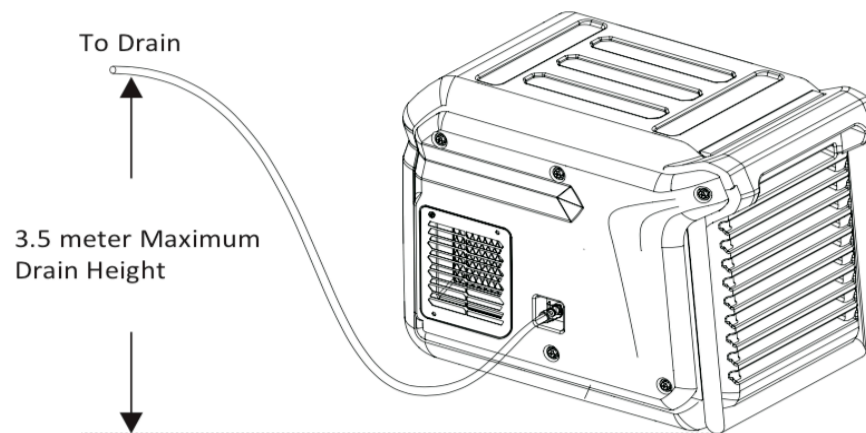
VOOR INGEBRUIKNAME

● Plaats

Laat voor het beste resultaat uw luchtontvochtiger werken in een gesloten ruimte. Sluit deuren en ramen. Zet het apparaat bij een muur, vrij van obstakels en vrij van zaken die de luchtstromen (aan- en afvoer) blokkeren.

● Stand

Laat altijd na transport het apparaat minimaal een uur rechtop staan. Olie van de compressor kan dan vanuit de koelspiralen weer in de compressor terugvloeien. Het apparaat moet rechtop staan en waterpas.



Aansluiting afvoerslang

Uw luchtontvochtiger wordt geleverd met een afvoerslang. De slang kan met een snelkoppeling worden bevestigd aan het apparaat. Rol de afvoerslang uit en plaats het uiteinde in een gootsteen, afvoer, emmer of buiten de te ontvochtigen ruimte, waar het water goed kan wegstromen. Bij het gebruik van een emmer, de emmer regelmatig legen, zodat deze niet overloopt.

N.B. Rol de afvoerslang altijd geheel uit. Plaats het uiteinde nooit hoger dan 3,5 meter. Check de slang op knikken en obstakels, zodat het condenswater in de doorstroom niet wordt belemmerd. Dit voorkomt lekkage van de pomp.



Get In Touch



Call: [0845 6880112](tel:08456880112)



Email: info@adremit.co.uk

Our Address

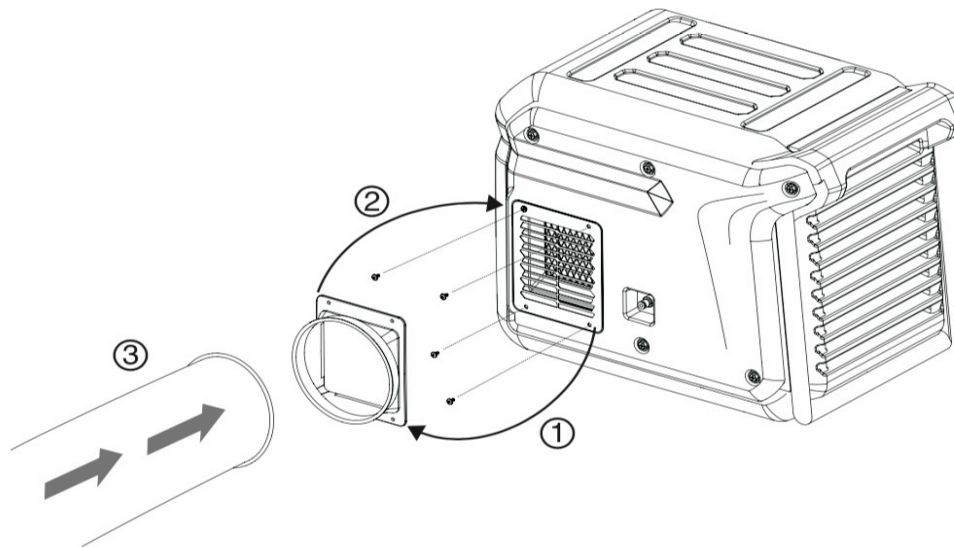
Puravent, Adremit Limited, Unit 5a, Commercial Yard,
Settle, North Yorkshire, BD24 9RH

AANBRENGEN EXTRA SLANG

● Installatie van extra slang / droge luchtuitlaat

Een externe slang is optioneel te monteren bij noodzakelijke droogbehoefte

- 1) Draai de vier schroeven van het luchtafvoerkanal los
- 2) Plaats de adapter omgekeerd terug
- 3) Bevestig de slang aan de adapter



Met riempjes kunnen het elektriciteitsnoer en afvoerlang gemakkelijk worden vastgezet.

Get In Touch



Call: [0845 6880112](tel:08456880112)

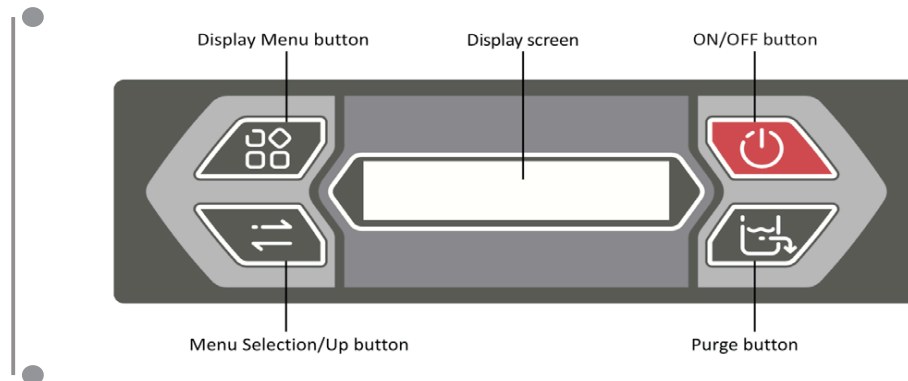


Email: info@adremit.co.uk

Our Address

Puravent, Adremit Limited, Unit 5a, Commercial Yard,
Settle, North Yorkshire, BD24 9RH

GEBRUIK EN INSTELLINGEN



S	E	L	F	.	D	I	A	G	N	O	S	I	S
							
S	T	A	N	D	B	Y							
									0	0	0	0	: 0 0



U	N	I	T		O	N			0	0	:	0	0		
(0	0	%)					0	0	°	C	0	0	%

BEDIENING

Controlepaneel

- Menu
- On/off knop
- Display scherm
- Menu selectie / Up
- Pomp knop

Hoofd Menu – display

Steek stekker in het geaard stopcontact

Als het apparaat is aangesloten, start het de diagnose procedure.

Op de display staat "self diagnosis".

Als het apparaat gereed is laat de display "stand by" zien.

Aan/uitschakelen van het apparaat

Druk op de "on/off" knop. Het apparaat start, op de display verschijnt "unit on".

Werktijd 00:00, ingestelde waarde (00%), huidige temperatuur 00 °C en huidige luchtvochtigheid 00%

Get In Touch

 Call: [0845 6880112](tel:08456880112)

 Email: info@adremit.co.uk

Our Address

Puravent, Adremit Limited, Unit 5a, Commercial Yard,
Settle, North Yorkshire, BD24 9RH

P L E A S E W A I T
C O M P D E L A Y 0 0 0

Staat er op het scherm “please wait comp delay” met een nummer erachter, dan is de compressor vertragingbeveiliging ingeschakeld. Er wordt afgeteld van 180 naar 0 seconden. Na afloop start het apparaat.



U N I T O N 0 0 : 0 0 P
(0 0 %) 0 0 ° C 0 0 %

Purge

Druk op de pompknop en het apparaat pompt 50 seconden het condenswater uit het reservoir. Tijdens het gebruik, pompt de pomp het reservoir leeg als dit vol is. Dit duurt 90 seconden. Op het scherm verschijnt in de rechterbovenhoek een P.

Let op!: Pomp het reservoir leeg, voordat het apparaat wordt verplaatst!



Display Menu

Door op de menuknop te drukken, verschijnen op het display de verschillende instellingen en condities van de luchtontvochtiger. Wacht 10 seconden om weer op het hoofdmenu te komen. Of blijf drukken op de knop, totdat het hoofdmenu weer verschijnt.

Get In Touch

Call: [0845 6880112](tel:08456880112)
 Email: info@adremit.co.uk

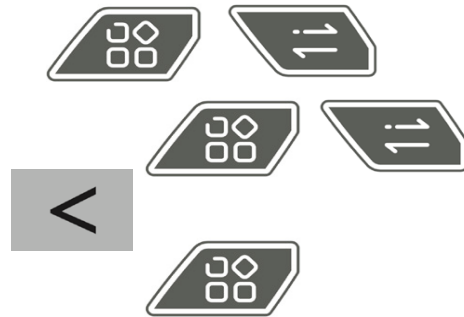
Our Address

Puravent, Adremit Limited, Unit 5a, Commercial Yard,
Settle, North Yorkshire, BD24 9RH



Menu selectie

Druk op de menuselectie knop om de instelling te checken of te veranderen van het "User Menu Display", de gebruiksinstellingen. De knop fungeert als een "UP button" om de ingestelde waarde van de werking aan te passen.



J	O	B	H	O	U	R	S				
R	E	S	E	T	>				0	0	: 0 0

L	I	F	E		H	O	U	R	S		
		0	0	0	0	:	0	0			

<	I	N	L	E	T			O	U	T	L	E	T	
0	0	°	C	0	0	%		0	0	°	C	0	0	%

Gebruiksinstellingen op het scherm

Met de MENU knop en de MENU SELECTIE knop kunnen verschillende functies worden gecheckt en ingesteld. Iedere keer dat de MENU knop wordt ingedrukt, wordt de volgende parameter zichtbaar. Aangekomen bij de parameter die aangepast moet worden, kan met de MENUSELECTIE knop de parameter worden ingesteld. De pijl linksboven geeft aan dat er kan worden aangepast. Na een druk op de hoofdmenuknop wordt de ingestelde waarde opgeslagen.

Werkuren

Druk op de menuselectieknop om de werkuren naar 0 te resetten.

Machine-uren

"Life hours" toont het totaal aantal machine-uren. Deze waarde kan niet worden aangepast.

Inkomende en uitgaande temperatuur

Op de display zijn de actuele temperaturen en luchtvochtigheid zichtbaar.

Get In Touch



Call: [0845 6880112](tel:08456880112)



Email: info@adremit.co.uk

Our Address

Puravent, Adremit Limited, Unit 5a, Commercial Yard,
Settle, North Yorkshire, BD24 9RH

FOUT MELDING OP SCHERM

Code fout melding	Verklaring
E1	Temperatuursensor probleem
E2	Inlaat sensor probleem
E3	Koelsysteem probleem
E4	Pomp probleem
E5	Uitlaat sensor probleem
EC	Stroomsterkte beveiliging
D	Beveiliging bevriezing
P	Probleem leegpompen reservoir

Get In Touch



Call: [0845 6880112](tel:08456880112)



Email: info@adremit.co.uk

Our Address

Puravent, Adremit Limited, Unit 5a, Commercial Yard,
Settle, North Yorkshire, BD24 9RH

REINIGING EN ONDERHOUD (1)

- **Let op! Haal altijd de steker uit het stopcontact voor reiniging of onderhoud.**
 - Onderhoud mag alleen worden uitgevoerd door gekwalificeerd personeel
 - Het apparaat moet worden losgekoppeld van het elektriciteitsnet voordat de afdekkingen worden verwijderd.
 - Als het apparaat niet draait, kan het verwarmingselement nog steeds heet zijn.

- **KOELMIDDEL R290 (UK/EU)**

De koeling wordt verkregen door gebruik te maken van het koelmiddel R290, een natuurlijk gas – propaan – in een gesloten systeem. Omdat het licht ontvlambaar is voorzichtigheid geboden: geen open vuur of warmtebron in de buurt van het apparaat, gebruik en opslag in een ruimte met een vloeroppervlak van tenminste 10 m², **jaarlijkse controle door een geautoriseerde vakman, die zo nodig de hoeveelheid koelmiddel bijvult.**

- **Filter schoonmaken**

Om het filter uit te nemen eerst de schroef in het midden met losdraaien. (bijvoorbeeld met een muntstuk). Het apparaat heeft een inlaatluchtfILTER, dat periodiek moet worden gecontroleerd en indien nodig gereinigd. Reinig met een stofzuiger of was het schoon. Filters moet goed droog zijn alvorens terug te plaatsen.
- **LET OP:** Laat het apparaat nooit draaien zonder filter, stof zal de werking nadelig beïnvloeden.
- **Behuizing**

Veeg regelmatig schoon met een vochtige doek met een mild huishoudelijk reinigingsmiddel.

Get In Touch



Call: [0845 6880112](tel:08456880112)



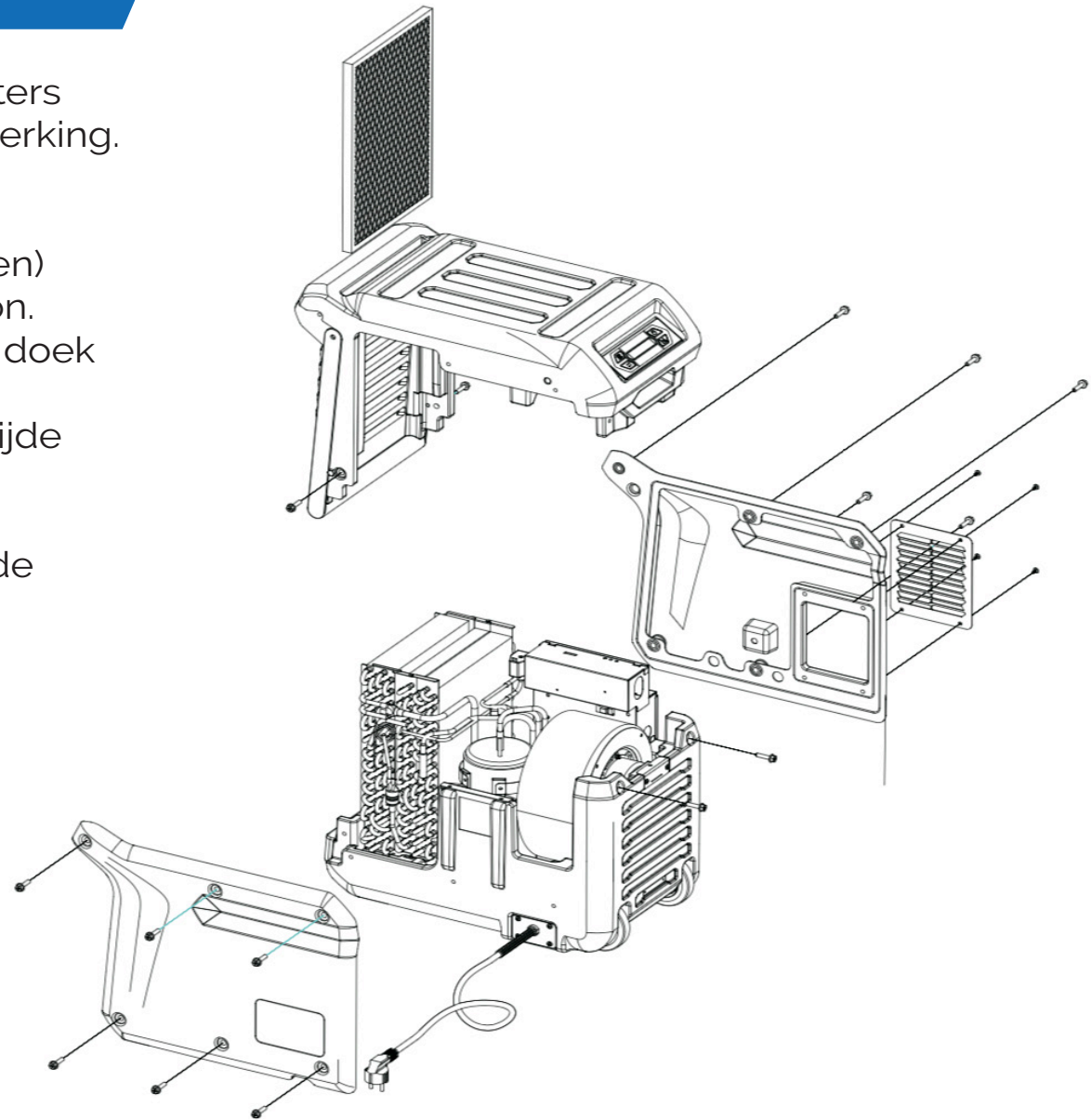
Email: info@adremit.co.uk

Our Address


Puravent, Adremit Limited, Unit 5a, Commercial Yard,
Settle, North Yorkshire, BD24 9RH

REINIGING EN ONDERHOUD (2)

- Houd het filter, de spiralen en alle roosters schoon. Dit draagt bij aan een goede werking.
 - 1) Verwijder de slang bij de uitblaas (indien gemonteerd)
 - 2) Schroef de zijpanelen los (6 schroeven)
 - 3) Neem het filter uit en maak dit schoon.
 - 4) Verwijder stof met een zachte droge doek van de panelen.
 - 5) Maak met een stofzuiger de binnenzijde voorzichtig schoon, pas op voor beschadigingen van tere delen.
 - 6) Bevestig de zijpanelen in omgekeerde volgorde.



Get In Touch

 Call: [0845 6880112](tel:08456880112)

 Email: info@adremit.co.uk

Our Address

Puravent, Adremit Limited, Unit 5a, Commercial Yard,
Settle, North Yorkshire, BD24 9RH

VERHELPE VAN STORINGEN

Fout	Oorzaak	Oplossing
Het apparaat lekt als het wordt getransporteerd.	Het reservoir is niet leeggepomt voor transport.	Reservoir leegpompen voor transport.
Apparaat werkt niet.	- Het apparaat krijgt geen stroom.	- Sluit het apparaat aan, controleer het stopcontact en het apparaat.
	- Het apparaat staat niet aan.	- Zet het apparaat aan.
	- De ingestelde waarde van de luchtvochtigheid is bereikt.	- Kies voor CO (conitue ontvochtigen) als er nog verder ontvochtigd moet worden
Water op de vloer.	De afvoerslang is niet goed bevestigd	Bevestig de slang goed.
Het apparaat ontvochtigt matig.	- De temperatuur in de ruimte is te laag.	- Verhoog de temperatuur.
	- Deuren en ramen zijn open.	- Sluit alle deuren en ramen.
	- Het apparaat staat nog te kort aan.	- Laat het apparaat langer zijn werk doen.
	- Het luchtfilter, de roosters en de spiralen zijn vuil.	- Controleer het filter en maak alles goed schoon.

Get In Touch



Call: [0845 6880112](tel:08456880112)



Email: info@adremit.co.uk

Our Address

Puravent, Adremit Limited, Unit 5a, Commercial Yard,
Settle, North Yorkshire, BD24 9RH

TECHNISCHE SPECIFICATIES

USA
CAN

UK
EU

Ontvochtigingscapaciteit	170 pints/day (95 °F RH95%)	80 L/day (35 °C RH95%)
	135 pints/day (86 °F RH80%)	55 L/day (30 °C RH80%)
	80 pints/day (80 °F RH60%)	35 L/day (27 °C RH60%)
Voeding	115V ~60Hz	220-240V ~50Hz
Vermogen	720W	580 W
Stroomsterkte	6.5 A	2.6 A
Luchtverplaatsing	250 CFM	420 m ³ /h
Geluidsniveau	55 dB (A)	55 dB (A)
Koelvloeistof	R410A / 0.49 kg (17.3 oz)	R290 / 0.2 kg
Werkzame temperatuur	33 ~100 °F	1 ~38 °C
Netto gewicht	66.0 lbs (30 kg)	29 kg
Afmetingen (B x H x D)	13.5 x 17.5 x 22.0 inch	345 x 450 x 560 mm
Lengte snoer	25 ft	5 m
Lengte afvoerslang	40 ft	12 m



Intertek
5017503



Wijzigingen voorbehouden.

Get In Touch



Call: [0845 6880112](tel:08456880112)



Email: info@adremit.co.uk

Our Address

Puravent, Adremit Limited, Unit 5a, Commercial Yard,
Settle, North Yorkshire, BD24 9RH



ECOR PRO



End of the period of use

Waste electrical equipment must not be disposed of in normal household waste. Take this product to your local recycling centre for proper disposal.

Fin de la période d'utilisation

Les déchets d'équipements électriques ne doivent pas être jetés avec les déchets ménagers normaux. Apportez ce produit à votre centre de recyclage local pour une élimination appropriée.

Fin del periodo de uso

Los residuos de equipos eléctricos no deben eliminarse con la basura doméstica normal. Lleve este producto a su centro de reciclaje local para su correcta eliminación.

Ende der Nutzungszeit

Elektroaltgeräte dürfen nicht in den normalen Hausmüll gegeben werden. Bringen Sie dieses Produkt zu Ihrem örtlichen Recyclingzentrum, damit es ordnungsgemäß entsorgt wird.

Einde van de gebruikperiode

Afgedankte elektrische apparatuur mag niet samen met het normale huisvuil worden weggegooid. Breng dit product naar uw plaatselijke recyclingcentrum voor correcte verwijdering.

www.ecor-pro.com

Subject to modifications • Sous réserve de modifications • Sujeto a modificaciones • Änderungen vorbehalten • Wijzigingen voorbehouden..

Get In Touch



Call: [0845 6880112](tel:08456880112)



Email: info@adremit.co.uk

Our Address

Puravent, Adremit Limited, Unit 5a, Commercial Yard,
Settle, North Yorkshire, BD24 9RH