

Thank you for purchasing a Sealey Propane Heater. Manufactured to a high standard this product will, if used according to these instructions and properly maintained, give you years of trouble free performance.



IMPORTANT: PLEASE READ THESE INSTRUCTIONS CAREFULLY. NOTE THE SAFE OPERATIONAL REQUIREMENTS, WARNINGS AND CAUTIONS. USE THIS PRODUCT CORRECTLY AND WITH CARE FOR THE PURPOSE FOR WHICH IT IS INTENDED. FAILURE TO DO SO MAY CAUSE DAMAGE AND/OR PERSONAL INJURY AND WILL INVALIDATE THE WARRANTY. PLEASE KEEP INSTRUCTIONS SAFE FOR FUTURE USE.

1. SAFETY INSTRUCTIONS

1.1. PLUG & MAINS POWER SUPPLY

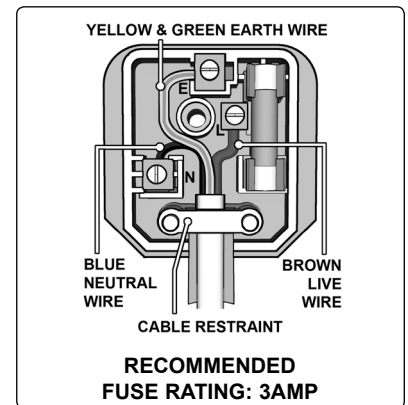
WARNING! It is the responsibility of the owner and the operator to read, understand and comply with the following:

You must check all electrical products, before use, to ensure that they are safe. You must inspect power cables, plugs, sockets and any other connectors for wear or damage. You must ensure that the risk of electric shock is minimised by the installation of appropriate safety devices. A Residual Current Circuit Breaker (RCCB) should be incorporated in the main distribution board. We also recommend that a Residual Current Device (RCD) is used. It is particularly important to use an RCD with portable products that are plugged into a supply which is not protected by an RCCB. If in any doubt consult a qualified electrician. You may obtain a Residual Current Device by contacting your Sealey dealer.

You must also read and understand the following instructions concerning electrical safety.

NOTE: 110 volt heaters are usually operated by connecting to a transformer or a generator. Check to ensure all supply equipment is compatible with the rating of the heater.

- 1.1.1. The **Electricity at Work Act 1989** requires all portable electrical appliances, if used on business premises, to be tested by a qualified electrician, using a Portable Appliance Tester (PAT), at least once a year.
- 1.1.2. The **Health & Safety at Work Act 1974** makes owners of electrical appliances responsible for the safe condition of those appliances and the safety of the appliance operators. **If in any doubt about electrical safety, contact a qualified electrician.**
- 1.1.3. Ensure that the insulation on all cables and on the appliance is safe before connecting it to the power supply. See 1.1.1 and 1.1.2 and use a Portable Appliance Tester.
- 1.1.4. Ensure that cables are always protected against short circuit and overload.
- 1.1.5. Regularly inspect power supply cables and plugs for wear or damage and check all connections to ensure that none are loose.
- 1.1.6. **Important:** Ensure that the voltage marked on the appliance matches the power supply to be used and that the plug is fitted with the correct fuse - see fuse rating on right.
- 1.1.7. **DO NOT** pull or carry the appliance by the power cable.
- 1.1.8. **DO NOT** pull the plug from the socket by the cable.
- 1.1.9. **DO NOT** use worn or damaged cables, plugs or connectors. Immediately have any faulty item repaired or replaced by a qualified electrician. When an ASTA/BS approved UK 3 pin 13 amp plug or 110 volt plug is damaged, cut the cable just above the plug and **dispose of the plug safely.** Fit a new plug according to the following instructions (UK only - see diagrams on right).
 - a) Connect the **GREEN/YELLOW** earth wire to the earth terminal 'E'.
 - b) Connect the **BROWN** live wire to the live terminal 'L'.
 - c) Connect the **BLUE** neutral wire to the neutral terminal 'N'.
 - d) **After wiring, check that there are no bare wires, that all wires have been correctly connected, that the cable outer insulation extends beyond the cable restraint and that the restraint is tight.**
- 1.1.10. If an extension reel is used it should be fully unwound before connection. A reel with an RCD fitted is preferred since any appliance plugged into it will be protected. The cable core section is important and should be at least 1.5mm², but to be absolutely sure that the capacity of the reel is suitable for this product and for others which may be used in the other output sockets, we recommend the use of 2.5mm²



1.2. GENERAL SAFETY

- WARNING!** Disconnect heater from mains electrical supply and gas cylinder before servicing or performing maintenance. Replace or repair damaged parts. *Use genuine parts only. Unauthorised parts may be dangerous and will invalidate the warranty.*
- WARNING! NOT** to be used for the heating of habitable areas of domestic premises: for use in public buildings, refer to national regulations.
- Store gas cylinders in accordance with regulations applicable to such appliances.
- Ensure that nothing stands or passes in front of the heater. *Mandatory minimum distance from the heater is 2 metres at the front.*
- Only use the propane gas pressure regulator and hose assembly supplied with the heater, without alteration.
- Ensure continuous ventilation is provided to the heater operating area. *A ventilation opening must run to the outside of the premises where the heater is to be operated. The opening must be 100cm² for every kW and must also be set at an equal distance from the upper and lower parts of the heater operating area.*
- WARNING!** *If the heater is used for prolonged periods at maximum power, ice may form on the propane cylinder. This is due to excessive evaporation. In such a case DO NOT use the heater to de-ice the cylinder.*
- WARNING!** *If the smell of gas is present, immediately isolate the gas cylinder and investigate reason before re-connecting it.*
- DO NOT** use the heater if damaged. *Take immediate action to repair or replace damaged parts. Use an authorised service agent only.*
- DO NOT** use the heater for residential use.
- DO NOT** allow untrained persons to ignite the heater.
- DO NOT** operate the heater without the cover.
- DO NOT** exceed the 100W/m³ limit considering the volume of the empty operating location.
- DO NOT** use a naked flame to try and ignite the heater.
- DO NOT** use the heater near inflammable, combustable or explosive materials - liquids, solids or gases.
- DO NOT** leave the heater unattended whilst in use.
- DO NOT** obstruct the air inlet and outlet sections of the heater. Keep immediate area clean and tidy.
- DO NOT** point the heater towards the gas cylinder.
- Keep children away from the heater.
- Keep the heater clean and in good working order.
- Ensure that the heater is correctly turned off and the gas source isolated, when not in use.
- When not in use for any length of time, store heater in a safe, dry, childproof location.

NOTE: This appliance is not intended for persons (including children) with reduced physical, sensory or mental capabilities, or lack of experience and knowledge, unless they have been given supervision or instruction concerning use of the appliance by a person responsible for their safety. Children should be supervised to ensure that they do not play with the appliance.

2. SPECIFICATIONS

These propane heaters are fan assisted and fitted with a piezoelectric ignition system for trouble-free starting and feature a direct gas head assembly. Features a safety solenoid preventing the unit from leaking gas without first being electrically started. Front foot offers height adjustment. All models are tested and certified to CE/EN standards by the DVGW test house. Supplied with an approved propane gas regulator and hose. All regulators are Calor approved.

Model No:	LP40, LP40S	LP50, LP50S	LP100.V3, LP100S	LP150, LP150S
Output:	12.3kW	8.2-16.1kW	19.8-28.4kW	35.2-43.9kW
Output:	42,000Btu/hr	28,000-55,000Btu/hr	68,000-97,000Btu/hr	120,000-150,000Btu/hr
Airflow:	300cfm	300cfm	400cfm	600cfm
Fuel Consumption:	0.88kg/hr	0.58-1.15kg/hr	1.47-2.1kg/hr	2.5-3kg/hr
Electrical Input:	230V	230V	230V	230V
Length x Width x Height:	460 x 196 x 325mm	460 x 196 x 325mm	638 x 230 x 395mm	638 x 230 x 395mm
Fuel:	Propane	Propane	Propane	Propane
Heated Volume:	37,080ft ³	48,558ft ³	88,287ft ³	132,430ft ³
Heated Volume:	1,050mtr ³	1,375mtr ³	2,500mtr ³	3,750mtr ³

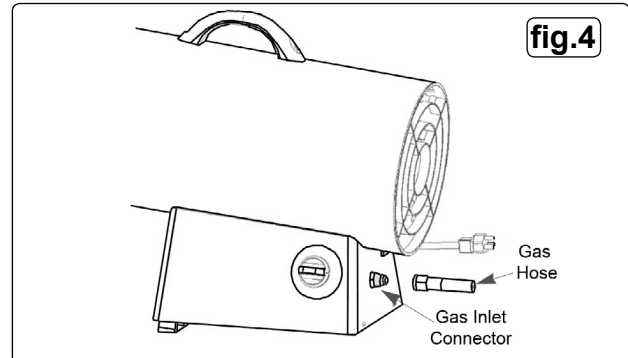
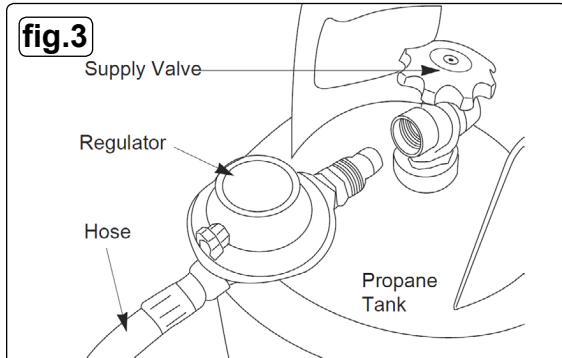
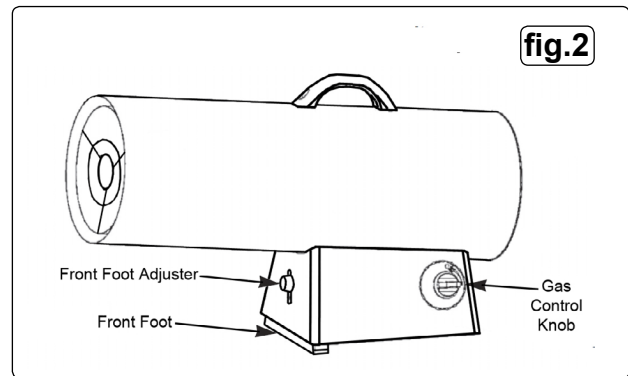
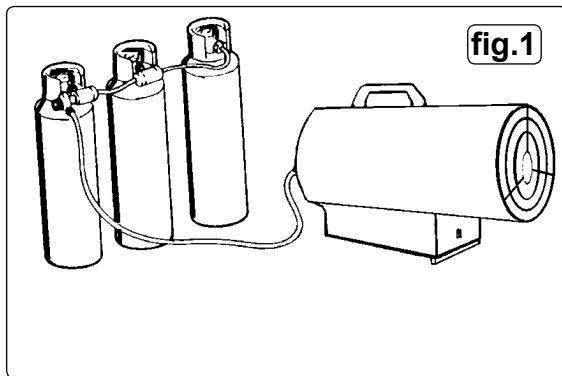
3. INSTALLATION

Note: If a small gas cylinder is used, the heater may not operate at maximum efficiency. It is recommended to use two or more cylinders linked in parallel, to achieve maximum continuous efficiency (fig.1).

3.1. Connections

- 3.1.1. Check heater and gas cylinder to ensure that they are both in good condition. If not, stop and contact your supplier immediately.
- 3.1.2. Site the heater and gas cylinder in the location to be heated.
- 3.1.3. Connect the heater to an electrical supply outlet, ensuring that the machine is correctly earthed. *See safety instructions.*
- 3.1.4. Connect the gas supply hose to the pressure regulator, and connect the regulator to the gas cylinder (fig.3). Note: Left hand threads. Connect the other end of the gas supply hose to the heater's gas inlet connector (fig.4). Ensure all connections are tight.
- 3.1.5. Gradually open the tap of the gas cylinder. Check hose and all fittings for gas leaks. Close gas tap if gas is present

☐ **WARNING! DO NOT USE A NAKED FLAME!** To check for leaks, we recommend the use of a foamy soap solution.



4. OPERATION

IMPORTANT: To ensure continuous ventilation to the heater area, a ventilation opening must connect to the outside of the premises where the heater is to operate. The opening must be 100cm² for every kW, and must be set at an equal distance from the upper and lower parts of heater operating area.

4.1. Switching Heater On

- 4.1.1. Turn the On/Off switch to the 'ON' position.
- 4.1.2. Push in and turn the gas control knob (fig.2) counterclockwise to LOW/* position, (HIGH/* on Models LP40 and LP40S). This will light the burner, if it doesn't repeat once or twice until it lights, then hold the gas control knob in for a further 30 seconds before releasing.
- 4.1.3. If burner stops when the gas control knob is released, leave the fan on, but wait for one minute before repeating the ignition sequence, again holding the gas control knob in for 30 seconds before releasing.
- 4.1.4. When the burner is lit, push in and turn the gas control knob counterclockwise to the desired setting (1/2/3), (for all models, except LP40 and LP40S which only have one setting).

4.2. Switching Heater Off

- 4.2.1. Turn the gas control knob (fig.2) fully clockwise to the **O** position. Allow the fan to continue running until the flame has shut down, then turn the On/Off switch to the 'OFF' position. Shut off the gas cylinder tap. Isolate the heater from the electrical supply.
- 4.2.2. When the heater is not in use for any length of time, disconnect it from the electrical and gas supply and store it in a safe, dry, childproof location.

☐ **WARNING!** If the flame shuts down during operation, before repeating the ignition sequence, make sure that the fan is not jammed, and the air inlet and outlet are completely free of obstructions. If it is due to overheating, the cause of the problem must be determined and corrected before repeating the ignition procedure.

© Jack Sealey Limited

Original Language Version

LP 40, 40S, 50, 50S, 100.V3, 100S, 150, 150S

Issue No:3(I) - 11/09/13

Get In Touch

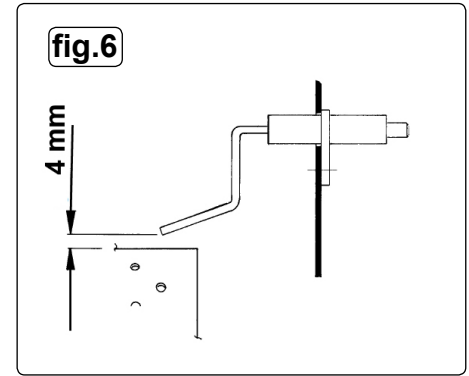
Call: 0845 6880112
Email: info@adremit.co.uk

Our Address

Puravent, Adremit Limited, Unit 5a, Commercial Yard,
Settle, North Yorkshire, BD24 9RH

5. MAINTENANCE

- ❑ **WARNING!** Before commencing service or maintenance, disconnect the heater from the electrical and gas supplies and allow to fully cool. Use authorised parts only. Unauthorised parts may be dangerous and will invalidate the warranty. Should the heater require service or maintenance, a suitably qualified engineer should carry this out or contact your local Sealey service agent.
- 5.1. Check the gas supply hose condition regularly, and change if necessary.
- 5.2. Carefully clean the fan blade and inside the heater unit with compressed air.
- ▲ **Caution:** Wear safety goggles to perform this operation.
- 5.3. Check the starting electrode gap (fig.6).
- 5.4. Check the ignition unit, safety thermostat, and thermocouple condition and ensure that they are clean.



6. TROUBLESHOOTING

PROBLEM	POSSIBLE CAUSE	SOLUTION
Fan motor does not work.	<ol style="list-style-type: none"> 1. There is no electrical supply. 2. The motor has locked. 3. Fan blades bent or in contact with housing. 	<ol style="list-style-type: none"> 1. Check mains power supply, wire, plug, fuse. 2. Unlock the motor with an appropriate tool. 3. Check housing for damage, straighten blades.
Ignitor does not spark.	<ol style="list-style-type: none"> 1. Electrode has the wrong gap. 2. Faulty connection. 3. Corroded electrode. 	<ol style="list-style-type: none"> 1. Check and reset the electrode gap to 4mm (fig.6). 2. Inspect and connect correctly the ignitor and the electrode. 3. Replace spark plug (Multi-Bracket Assembly).
No gas flow to the burner.	<ol style="list-style-type: none"> 1. The cylinder gas tap is closed. 2. The cylinder is empty. 3. Gas leaks from the supply. 	<ol style="list-style-type: none"> 1. Open the gas tap. 2. Replace with a full cylinder. 3. Remove and clean the nozzle, check for leaks by using a foamy soap only - DO NOT USE FLAME to find leak.
The burner starts, but stops as the gas control knob is released.	<ol style="list-style-type: none"> 1. The thermocouple is not warm enough. 2. The safety override has activated because the fan does not work. 	<ol style="list-style-type: none"> 1. Repeat the ignition sequence, keeping the control knob pushed in for a longer time. 2. See above - Fan motor does not work.
The heater stops during operation	<ol style="list-style-type: none"> 1. Excessive gas supply. 2. Damaged control valve. 3. Insufficient gas due to ice formation on the cylinder. 4. Temperature inside heater is too high. 5. Dust or debris accumulated in heater. 	<ol style="list-style-type: none"> 1. Check the pressure regulator, replace if necessary. 2. Replace control valve (Valve Assembly). 3. Check and if necessary use a larger gas cylinder or multiple cylinders connected in parallel. 4. Keep area around heater inlet clear of obstructions. 5. Clean inside of heater.

❑ WARNING! Regarding Air Contaminants.

Air contaminants taken into the heater will damage the unit, cause health problems and safety issues.
Example: Body shop filler dust and overspray dust will clog the burner diffuser, contaminate the combustion chamber and damage the internal parts of the heater. If contaminants are present the heater must be supplied with ducted clean air.
Please note that any parts damaged by filler dust or overspray dust will not be covered by warranty. Additionally a cleaning charge will be made for any heaters damaged by filler dust or overspray dust.



Environmental Protection.

Recycle unwanted materials instead of disposing of them as waste. All tools, accessories and packaging should be sorted, taken to a recycle centre and disposed of in a manner which is compatible with the environment.



When the product is no longer required, it must be disposed of in an environmentally protective way.

Parts support is available for this product. To obtain a parts listing and/or diagram, please log on to www.sealey.co.uk, email sales@sealey.co.uk or phone 01284 757500.

NOTE: It is our policy to continually improve products and as such we reserve the right to alter data, specifications and component parts without prior notice.

IMPORTANT: No liability is accepted for incorrect use of this product.

WARRANTY: Guarantee is 12 months from purchase date, proof of which will be required for any claim.

INFORMATION: For a copy of our latest catalogue and promotions call us on 01284 757525 and leave your full name and address, including postcode.



Sole UK Distributor, Sealey Group,
 Kempson Way, Suffolk Business Park,
 Bury St. Edmunds, Suffolk,
 IP32 7AR



01284 757500



www.sealey.co.uk



01284 703534



sales@sealey.co.uk

© Jack Sealey Limited

Original Language Version

LP 40, 40S, 50, 50S, 100.V3, 100S, 150, 150S | Issue No:3(I)- 11/09/13

Get In Touch



Call: 0845 6880112



Email: info@adremit.co.uk

Our Address

Puravent, Adremit Limited, Unit 5a, Commercial Yard,
 Settle, North Yorkshire, BD24 9RH