



KV 315 L SILEO

Item no. 19520

Document type: **Product card**
 Document date: **2019-07-10**
 Generated by: **Systemair Online Catalogue**

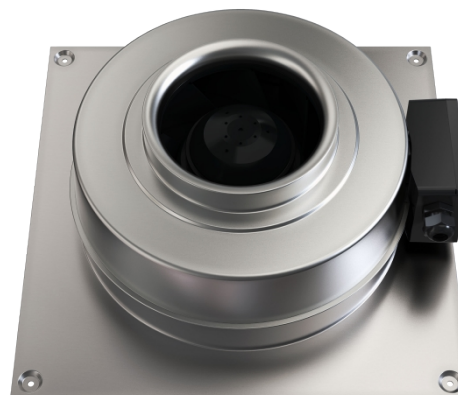
Description

- Speed-controllable
- Quiet-running
- Increased efficiency
- Integral thermal contacts
- Can be installed in any position - duct or wall mounted
- Can be installed outdoors
- Maintenance-free and reliable

The KV sileo series is designed for installation in ducts. All KV-fans have minimum 25 mm long spigot connections. The FK mounting clamp facilitates easy installation and removal, and prevents the transfer of vibration to the duct. The fans have backward-curved blades and external rotor motors. KV sileo fans can be speed-controlled via a stepless thyristor or a 5-step transformer.

To protect the motor from overheating the fan has integral thermal contacts with manual reset.

The casing is manufactured from galvanised sheet steel and folded which gives the fan a close to air tight casing, wet room applications of the fan are possible due to the air tight casing.



Technical parameters

Nominal data		
Voltage	230	V
Frequency	50	Hz
Phase	1	~
Input power (P1)	310	W
Current	1,35	A
Max. airflow	0,467	m³/s
R.p.m.	2367	r.p.m.
Capacitor	7	µF
Weight	6,6	kg
Temperature data		
Max. temperature of transported air	50,7	°C
Max. temperature of transported air when speed-controlled	45,4	°C
Sound data		
Sound pressure level at 3 m	50,7	dB(A)
Protection / Classification		
Insulation class		F
Enclosure class, motor		IP44

Get In Touch

Call: [0845 6880112](tel:08456880112)
 Email: info@adremit.co.uk

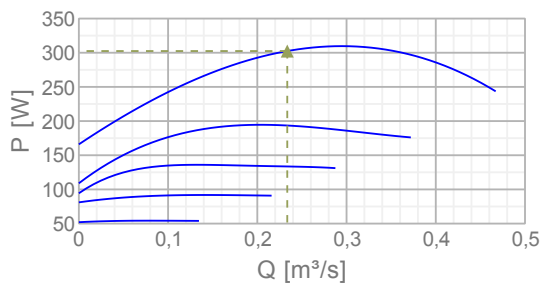
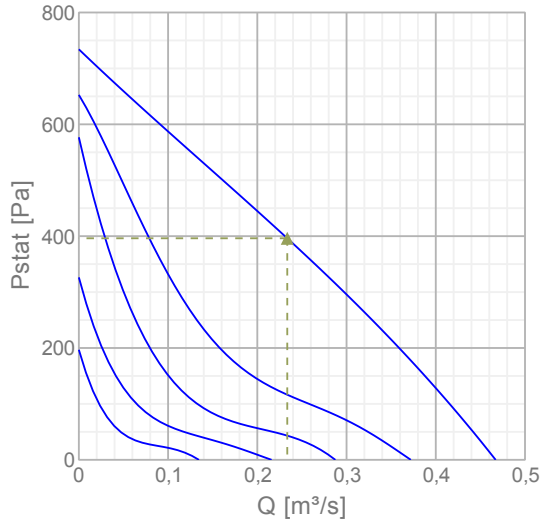
Our Address

Puravent, Adremit Limited, Unit 5a, Commercial Yard,
 Settle, North Yorkshire, BD24 9RH



Diagrams

Diagrams



Max efficiency

Hydraulic data										
▲ Working air flow	0,234 m³/s									
▲ Working static pressure	396 Pa									
▲ Power	302 W									
Speed	2393 r.p.m.									
Current	1,32 A									
SFP	1,3 W/(l/s)									
Voltage	230 V									
Sound power level		63	125	250	500	1k	2k	4k	8k	Tot
Inlet	dB(A)	57	67	67	70	68	66	63	59	75
Outlet	dB(A)	40	59	65	71	72	70	64	60	77
Surrounding	dB(A)	42	44	42	54	51	50	46	39	58

Name: **KV 315 L SILEO** | Item no.: **19520**

2 / 5

Document type: **Product card** | Document date: **2019-07-10** | Generated by: **Online catalogue**

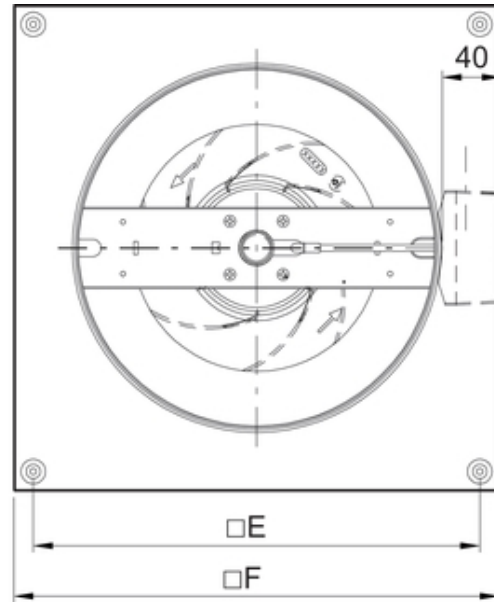
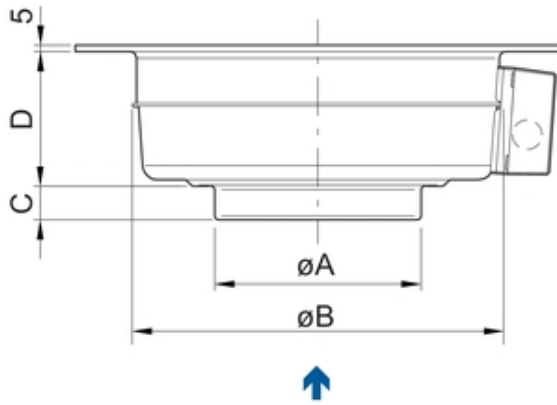
Get In Touch

 Call: [0845 6880112](tel:08456880112)
 Email: info@adremit.co.uk

Our Address



Puravent, Adremit Limited, Unit 5a, Commercial Yard, Settle, North Yorkshire, BD24 9RH

Dimensions



KV	A	B	C	D	E	F
315 L	314	408	37,5	145	458	489

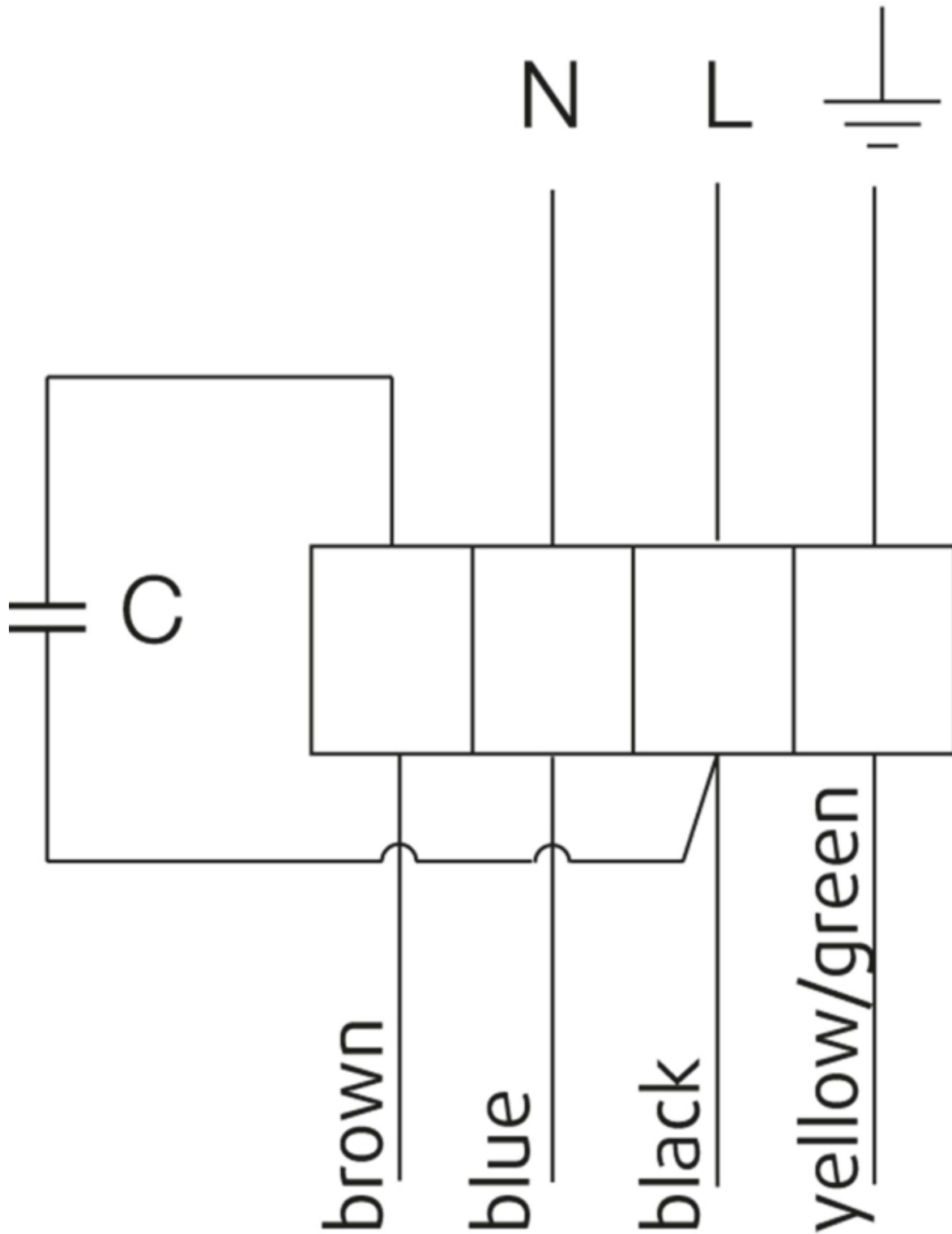
Get In Touch

 Call: [0845 6880112](tel:08456880112)
 Email: info@adremit.co.uk

Our Address

Puravent, Adremit Limited, Unit 5a, Commercial Yard,
 Settle, North Yorkshire, BD24 9RH

230V 1~



U1 = blue = blau
U2 = black = schwarz
Z = brown = braun
PE = yellow/green = grün-gelb

Name: **KV 315 L SILEO** | Item no.: **19520**

Document type: **Product card** | Document date: **2019-07-10** | Generated by: **Online catalogue**

Get In Touch

Call: [0845 6880112](tel:08456880112)
Email: info@adremit.co.uk

Our Address

Puravent, Adremit Limited, Unit 5a, Commercial Yard,
Settle, North Yorkshire, BD24 9RH

Accessories

Electric accessories

[RE 1.5 Speed control \(5000\)](#)

[REU 1.5 Speed control \(5004\)](#)

[REE 2 Speed control \(5316\)](#)

[REPT 6 Digital regulator \(5698\)](#)

[RT 0-30 Room Thermostat \(5151\)](#)

[CO2RT-R-D Transmitter \(6993\)](#)

[Presence detector/IR24-P \(6995\)](#)

[DTV200 \(6261\)](#)

[STL 3 Speed controller \(84261\)](#)

[REV-3POL/03 ON/OFF \(33978\)](#)

[DTV500A \(96807\)](#)

Accessories

[CBM 315-9,0 400V/3 Duct heater \(5485\)](#)

[CWK 315-3-2,5 Duct cooler circ \(30025\)](#)

[VBC 315-2 Water heating batt \(5461\)](#)

[LDC 315-900 Silencer \(5197\)](#)

[LDC 315-600 Silencer \(5949\)](#)

[FFR 315 Filter cassette \(1779\)](#)

[FGR 315 Filter cassette \(1818\)](#)

[FK 315 Fast clamp \(1613\)](#)

[VKK-315 Back draft damper \(1628\)](#)

[RSK-315 Back draft damper \(5604\)](#)

[SG 315 Protection guard \(5611\)](#)

[VK-40 Louvre shutter \(5643\)](#)

[VBC 315-3 Water heating batt \(9844\)](#)

Documentation



132780_Fans_Instructions_Outside_EU_A002.pdf (1 006,63kB)

Specification text

KV 315L TW Circular duct fan

DN315, 230V50Hz, 1~, imp. backw. curved

Circular duct fan for wall mounting, easy and direct installation in ducts.

Galvanized sheet steel housing.

Circular connection spigot, length 25mm, acc. to EN1506:1997

Free-running, backward curved centrifugal impeller made of plastic.

Balancing made to G 6.3, motor compl. with impeller statically and dynamically balanced in two planes acc. to DIN ISO 1940 T.1.

Voltage controllable external rotor motor, maintenance-free, the motor is placed inside the air flow for cooling. Integral thermal contacts with manual reset acc. to EN 60335-2-80, speed-controlled via a 5-step transformer or a stepless thyristor. Silent, long-life ball bearings. Terminal box (IP55) on the casing.

Mounting brackets included in delivery.

For indoor, outdoor installation as well as in wet areas.

Air leakage class C acc. to EN 12237:2003.

Installation in any mounting position.

PRODUCT: SYSTEMAIR

TYPE: KV 315L TW

Item no. 1220

Get In Touch



Call: [0845 6880112](tel:08456880112)



Email: info@adremit.co.uk

Our Address

Puravent, Adremit Limited, Unit 5a, Commercial Yard,
Settle, North Yorkshire, BD24 9RH