



KV 160 XL SILEO

Item no. 25373

Version: 50 Hz



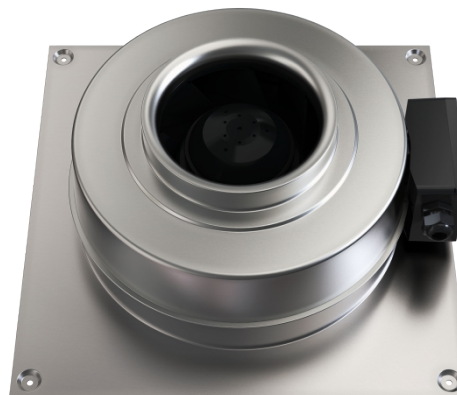
Description

- Speed-controllable
- Quiet-running
- Increased efficiency
- Integral thermal contacts
- Can be installed in any position - duct or wall mounted
- Can be installed outdoors
- Maintenance-free and reliable

The KV sileo series is designed for installation in ducts. All KV-fans have minimum 25 mm long spigot connections. The FK mounting clamp facilitates easy installation and removal, and prevents the transfer of vibration to the duct. The fans have backward-curved blades and external rotor motors. KV sileo fans can be speed-controlled via a stepless thyristor or a 5-step transformer.

To protect the motor from overheating the fan has integral thermal contacts with manual reset.

The casing is manufactured from galvanised sheet steel and folded which gives the fan a close to air tight casing, wet room applications of the fan are possible due to the air tight casing.



Technical parameters

Nominal data		
Voltage	230	V
Frequency	50	Hz
Phase	1	~
Input power (P1)	102	W
Current	0,446	A
Max. airflow	0,222	m³/s
R.p.m.	2532	r.p.m.
Capacitor	2,5	µF
Weight	3,8	kg
Temperature data		
Max. temperature of transported air	70	°C
Max. temperature of transported air when speed-controlled	70	°C
Sound data		
Sound pressure level at 3 m	44,6	dB(A)

Get In Touch

Call: [0845 6880112](tel:08456880112)
 Email: info@adremit.co.uk

Our Address

Puravent, Adremit Limited, Unit 5a, Commercial Yard,
 Settle, North Yorkshire, BD24 9RH



Protection / Classification

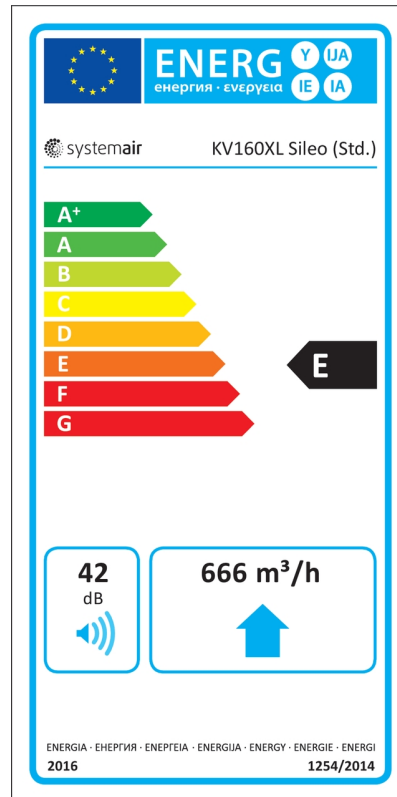
Insulation class	F
Enclosure class, motor	IP44

ErP

Energy class, basic unit	E
Energy class, basic unit option	B
ErP ready	ErP 2016/ErP 2018

Energy class label

Energy class, basic unit



Name: **KV 160 XL SILEO** | Item no.: **25373** | Version: **50 Hz**

Document type: **Product card** | Document date: **2019-07-10** | Generated by: **Online catalogue**

2 / 6

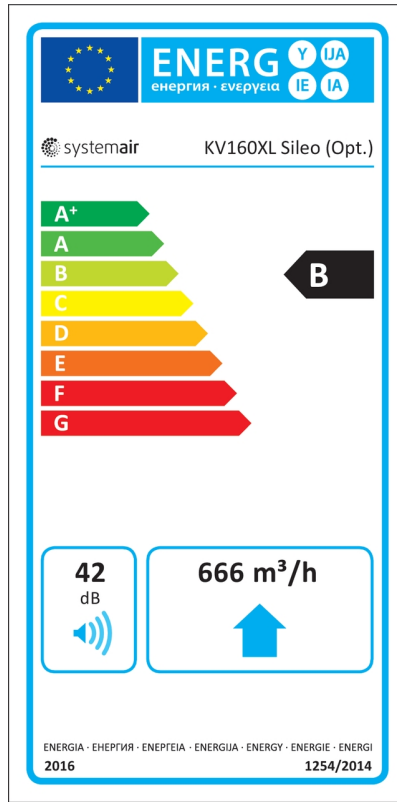
Get In Touch

 Call: [0845 6880112](tel:08456880112)
 Email: info@adremit.co.uk

Our Address

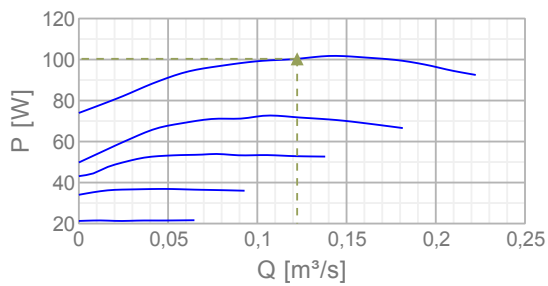
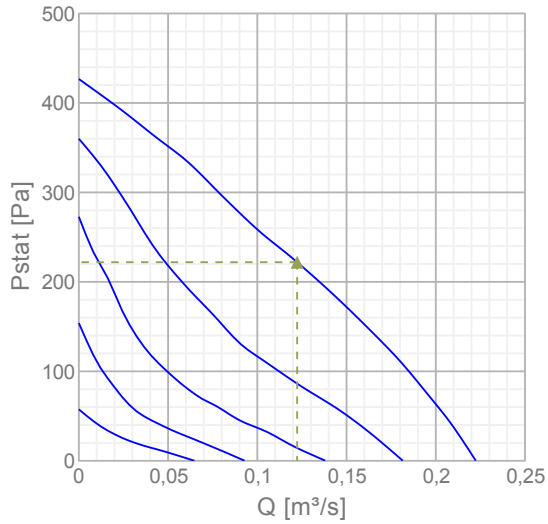
Puravent, Adremit Limited, Unit 5a, Commercial Yard,
Settle, North Yorkshire, BD24 9RH

Energy class, unit with local demand control



Diagrams

Diagrams



Name: **KV 160 XL SILEO** | Item no.: **25373** | Version: **50 Hz**

Document type: **Product card** | Document date: **2019-07-10** | Generated by: **Online catalogue**

Get In Touch

Call: [0845 6880112](tel:08456880112)
 Email: info@adremit.co.uk

Our Address

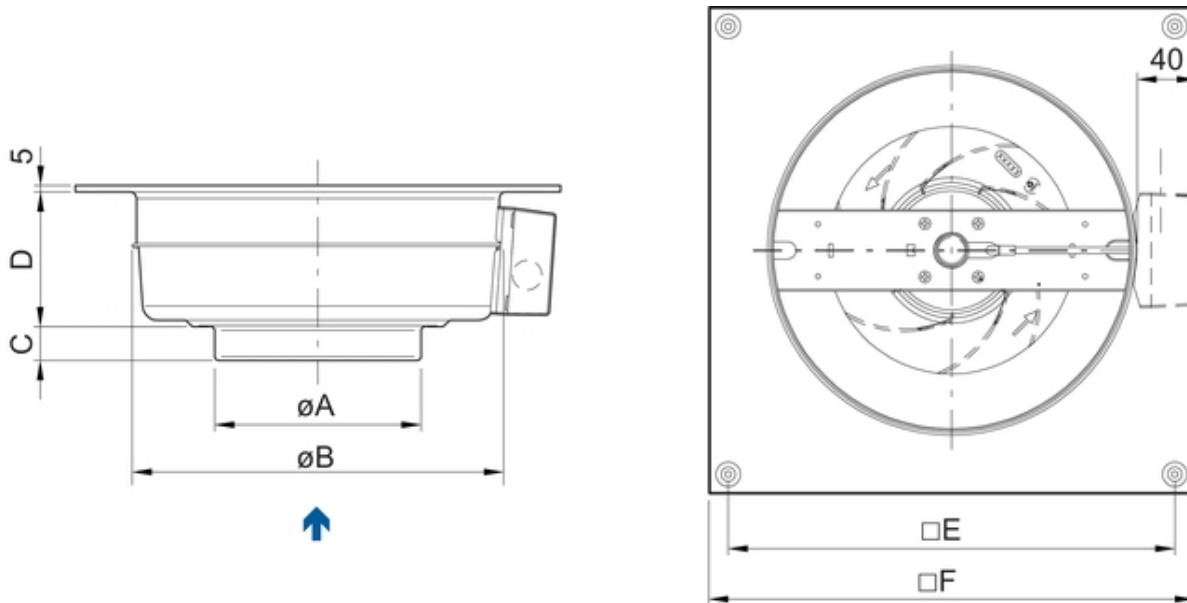
Puravent, Adremit Limited, Unit 5a, Commercial Yard,
 Settle, North Yorkshire, BD24 9RH

Max efficiency

Hydraulic data	
▲ Working air flow	0,122 m ³ /s
▲ Working static pressure	222 Pa
▲ Power	100 W
Speed	2535 r.p.m.
Current	0,441 A
SFP	0,82 W/(l/s)
Voltage	230 V



Sound power level		63	125	250	500	1k	2k	4k	8k	Tot
Inlet	dB(A)	52	64	69	66	66	63	60	50	73
Outlet	dB(A)	33	47	64	70	71	69	62	54	75
Surrounding	dB(A)	29	35	36	48	46	45	41	29	52

Dimensions



	ØA	ØB	C	D	□E	□F
KV 160 M	159	286	25	113	344	374
KV 160 XL	159	336	29	147	394	425

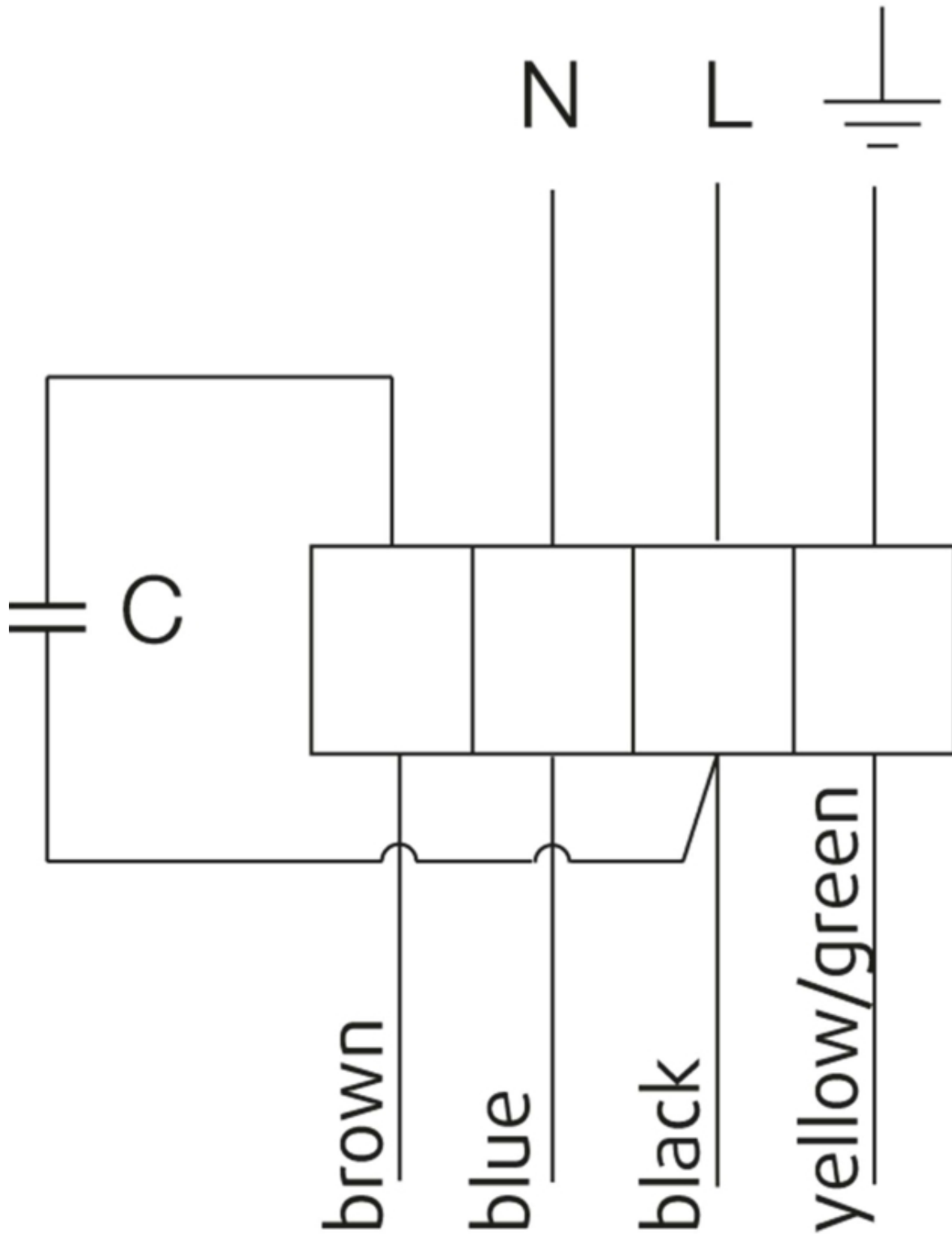
Get In Touch

 **Call:** [0845 6880112](tel:08456880112)
 **Email:** info@adremit.co.uk

Our Address

Puravent, Adremit Limited, Unit 5a, Commercial Yard,
Settle, North Yorkshire, BD24 9RH

230V 1~



U1 = blue = blau
U2 = black = schwarz
Z = brown = braun
PE = yellow/green = grün-gelb

Get In Touch

Call: [0845 6880112](tel:08456880112)
Email: info@adremit.co.uk

Our Address

Puravent, Adremit Limited, Unit 5a, Commercial Yard,
Settle, North Yorkshire, BD24 9RH

Accessories

Electric accessories

[RE 1.5 Speed control \(5000\)](#)

[REU 1.5 Speed control \(5004\)](#)

[REE 1 Speed control \(5314\)](#)

[REPT 6 Digital regulator \(5698\)](#)

[RT 0-30 Room Thermostat \(5151\)](#)

[CO2RT-R-D Transmitter \(6993\)](#)

[Presence detector/IR24-P \(6995\)](#)

[DTV200 \(6261\)](#)

[STL 1.5 Speed controller \(84251\)](#)

[REV-3POL/03 ON/OFF \(33978\)](#)

[DTV500A \(96807\)](#)

Accessories

[CBM 160-2,1 230V/1 Duct heater \(5482\)](#)

[CWK 160-3-2,5 Duct cooler circ \(30022\)](#)

[VBC 160-2 Water heating batt \(5458\)](#)

[LDC 160-600 Silencer \(5192\)](#)

[LDC 160-900 Silencer \(5193\)](#)

[FFR 160 Filter cassette \(1770\)](#)

[FGR 160 Filter cassette \(1809\)](#)

[FK 160 Fast clamp \(1610\)](#)

[VKK-160 Back draft damper \(1625\)](#)

[IGK-160 Wall Grid \(1632\)](#)

[RSK-160 Back draft damper \(5601\)](#)

[SG 160 Protection guard \(5608\)](#)

[VK-35 Louvre shutter \(5642\)](#)

[VBC 160-3 Water heating batt \(9840\)](#)

[LDC 160-300 Silencer \(53108\)](#)

Documentation



202341_Fans_Instructions_CE_A010.pdf (1,83MB)

Specification text

KV 160XL TW Circular duct fan

DN160, 230V50Hz, 1~, imp. backw. curved

Circular duct fan for wall mounting, easy and direct installation in ducts.

Galvanized sheet steel housing.

Circular connection spigot, length 25mm, acc. to EN1506:1997

Free-running, backward curved centrifugal impeller made of plastic.

Balancing made to G 6.3, motor compl. with impeller statically and dynamically balanced in two planes acc. to DIN ISO 1940 T.1.

Voltage controllable external rotor motor, maintenance-free, the motor is placed inside the air flow for cooling. Integral thermal contacts with manual reset acc. to EN 60335-2-80, speed-controlled via a 5-step transformer or a stepless thyristor. Silent, long-life ball bearings. Terminal box (IP55) on the casing.

Mounting brackets included in delivery.

For indoor, outdoor installation as well as in wet areas.

Air leakage class C acc. to EN 12237:2003.

Installation in any mounting position.

PRODUCT: SYSTEMAIR

TYPE: KV 160XL TW

Item no. 1214

Name: **KV 160 XL SILEO** | Item no.: **25373** | Version: **50 Hz**

Document type: **Product card** | Document date: **2019-07-10** | Generated by: **Online catalogue**

6 / 6

Get In Touch



Call: [0845 6880112](tel:08456880112)



Email: info@adremit.co.uk

Our Address

Puravent, Adremit Limited, Unit 5a, Commercial Yard,
Settle, North Yorkshire, BD24 9RH