



# KV 150 XL SILEO

Item no. 25371

Version: 50 Hz



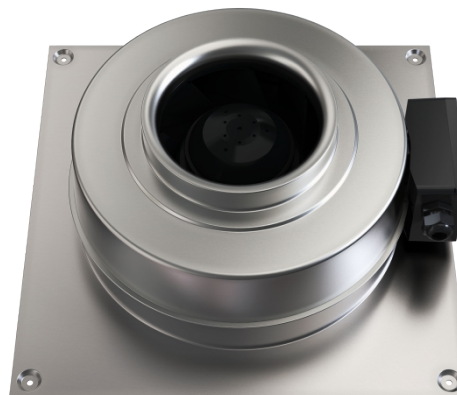
## Description

- Speed-controllable
- Quiet-running
- Increased efficiency
- Integral thermal contacts
- Can be installed in any position - duct or wall mounted
- Can be installed outdoors
- Maintenance-free and reliable

The KV sileo series is designed for installation in ducts. All KV-fans have minimum 25 mm long spigot connections. The FK mounting clamp facilitates easy installation and removal, and prevents the transfer of vibration to the duct. The fans have backward-curved blades and external rotor motors. KV sileo fans can be speed-controlled via a stepless thyristor or a 5-step transformer.

To protect the motor from overheating the fan has integral thermal contacts with manual reset.

The casing is manufactured from galvanised sheet steel and folded which gives the fan a close to air tight casing, wet room applications of the fan are possible due to the air tight casing.



## Technical parameters

Nominal data		
Voltage	230	V
Frequency	50	Hz
Phase	1	~
Input power (P1)	99,9	W
Current	0,443	A
Max. airflow	0,217	m³/s
R.p.m.	2501	r.p.m.
Capacitor	2,5	µF
Weight	3,8	kg
Temperature data		
Max. temperature of transported air	70	°C
Max. temperature of transported air when speed-controlled	70	°C
Sound data		
Sound pressure level at 3 m	47,8	dB(A)

### Get In Touch

Call: [0845 6880112](tel:08456880112)  
 Email: [info@adremit.co.uk](mailto:info@adremit.co.uk)

### Our Address

Puravent, Adremit Limited, Unit 5a, Commercial Yard,  
 Settle, North Yorkshire, BD24 9RH

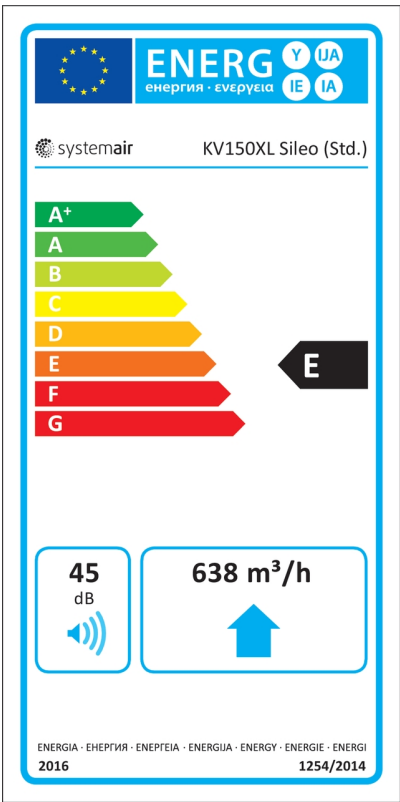






Protection / Classification	
Insulation class	F
Enclosure class, motor	IP44
ErP	
Energy class, basic unit	<b>E</b>
Energy class, basic unit option	<b>B</b>
ErP ready	ErP 2016/ErP 2018

**Energy class label**

**Energy class, basic unit**



**Get In Touch**

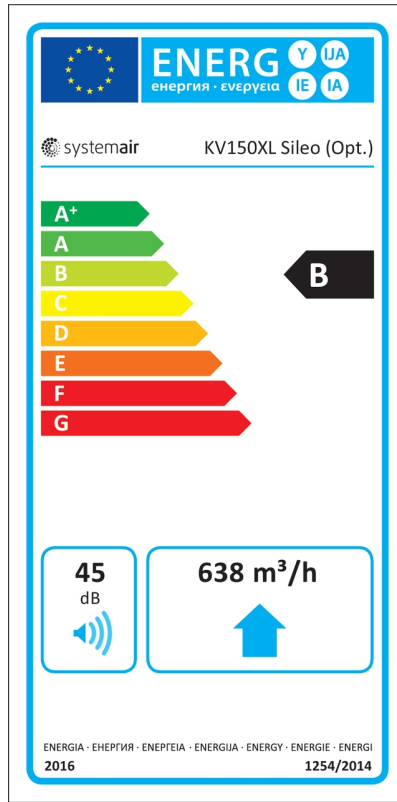
 **Call:** [0845 6880112](tel:08456880112)  
 **Email:** [info@adremit.co.uk](mailto:info@adremit.co.uk)

**Our Address**

Puravent, Adremit Limited, Unit 5a, Commercial Yard,  
 Settle, North Yorkshire, BD24 9RH

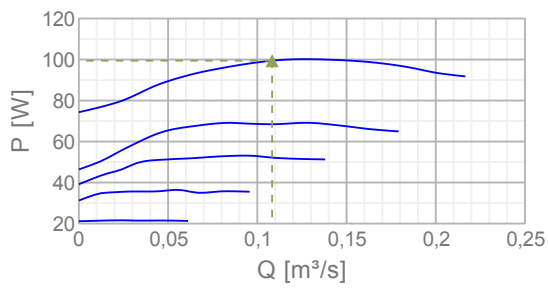
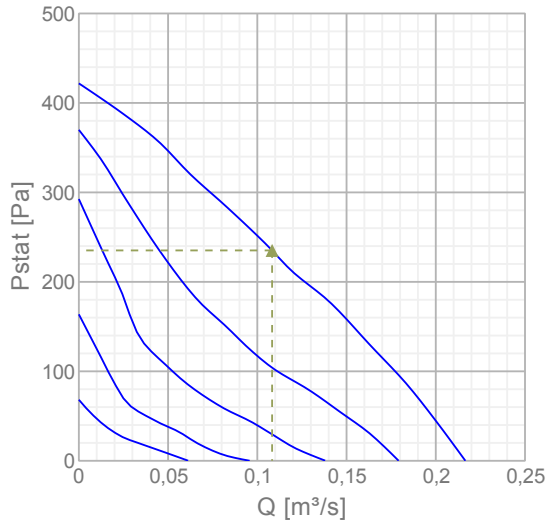


Energy class, unit with local demand control



Diagrams

Diagrams



Name: **KV 150 XL SILEO** | Item no.: **25371** | Version: **50 Hz**

Document type: **Product card** | Document date: **2019-07-10** | Generated by: **Online catalogue**

Get In Touch

Call: [0845 6880112](tel:08456880112)  
 Email: [info@adremit.co.uk](mailto:info@adremit.co.uk)

Our Address

Puravent, Adremit Limited, Unit 5a, Commercial Yard,  
 Settle, North Yorkshire, BD24 9RH

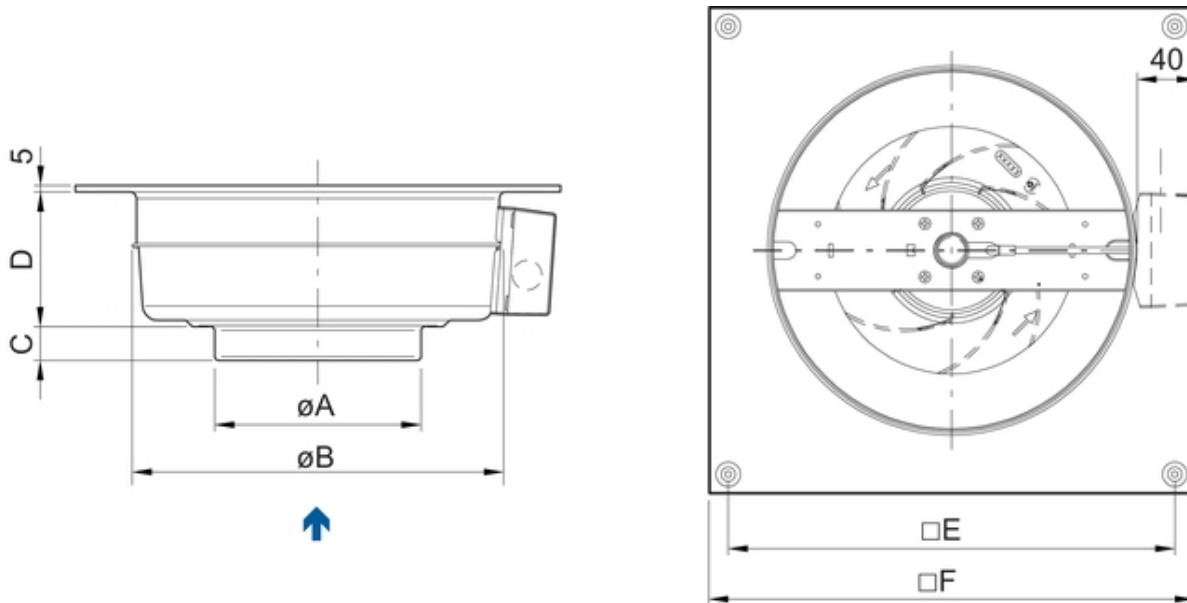
## Max efficiency

Hydraulic data	
▲ Working air flow	0,108 m <sup>3</sup> /s
▲ Working static pressure	235 Pa
▲ Power	99,4 W
Speed	2506 r.p.m.
Current	0,439 A
SFP	0,918 W/(l/s)
Voltage	230 V

Sound power level		63	125	250	500	1k	2k	4k	8k	Tot
Inlet	dB(A)	54	66	68	67	66	62	58	48	73
Outlet	dB(A)	34	49	64	69	70	68	61	52	75
Surrounding	dB(A)	34	40	35	50	47	47	43	27	54

## Dimensions



	ØA	ØB	C	D	□E	□F
<b>KV 150 M</b>	149	286	25	113	344	374
<b>KV 150 XL</b>	149	336	29	147	394	425

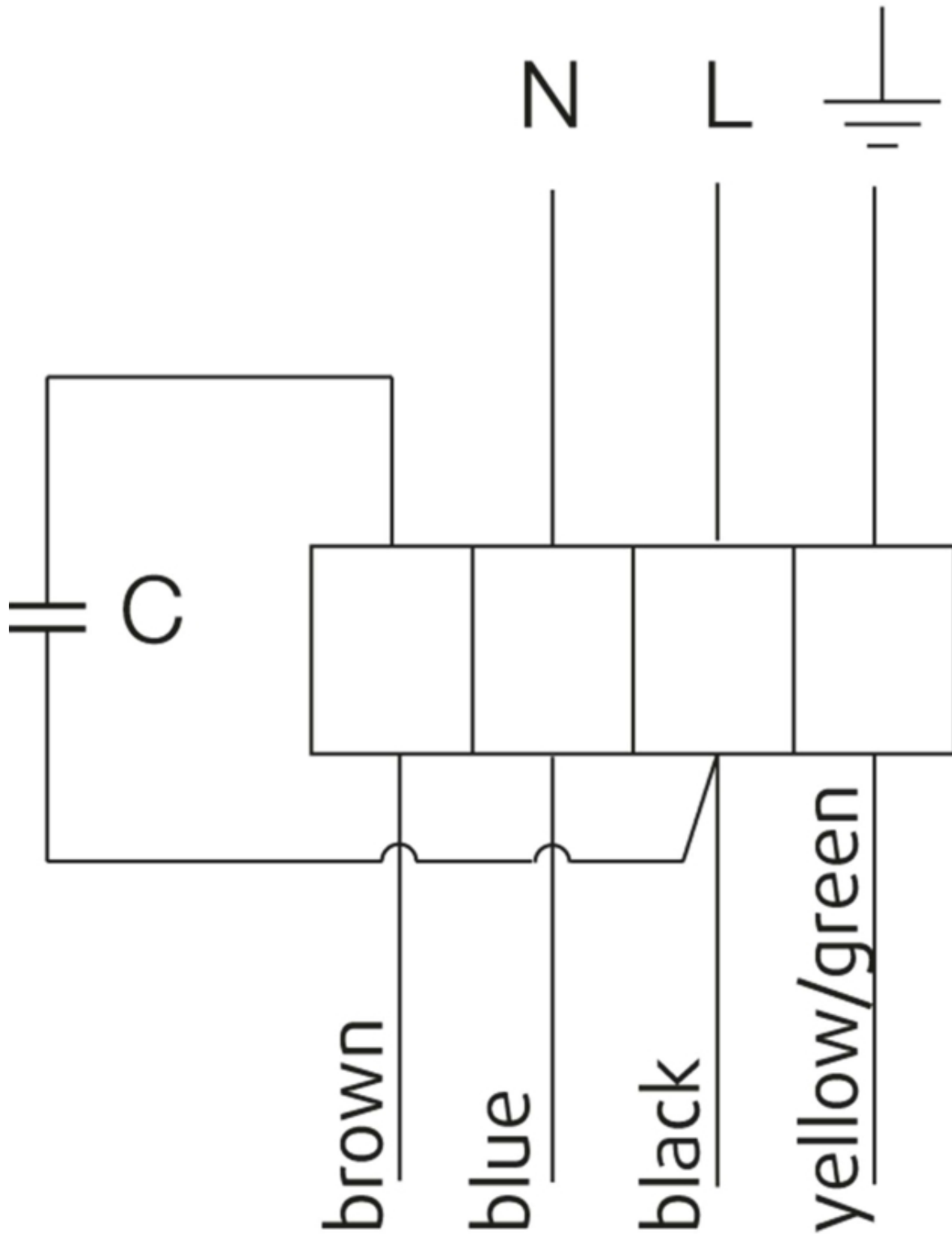
### Get In Touch

 **Call:** [0845 6880112](tel:08456880112)  
 **Email:** [info@adremit.co.uk](mailto:info@adremit.co.uk)

### Our Address

Puravent, Adremit Limited, Unit 5a, Commercial Yard,  
Settle, North Yorkshire, BD24 9RH

230V 1~



U1 = blue = blau  
U2 = black = schwarz  
Z = brown = braun  
PE = yellow/green = grün-gelb

Get In Touch

Call: [0845 6880112](tel:08456880112)  
Email: [info@adremit.co.uk](mailto:info@adremit.co.uk)

Our Address

Puravent, Adremit Limited, Unit 5a, Commercial Yard,  
Settle, North Yorkshire, BD24 9RH

## Accessories

### Electric accessories

[RE 1.5 Speed control \(5000\)](#)

[REU 1.5 Speed control \(5004\)](#)

[REE 1 Speed control \(5314\)](#)

[REPT 6 Digital regulator \(5698\)](#)

[RT 0-30 Room Thermostat \(5151\)](#)

[CO2RT-R-D Transmitter \(6993\)](#)

[DTV200 \(6261\)](#)

[STL 1.5 Speed controller \(84251\)](#)

[REV-3POL/03 ON/OFF \(33978\)](#)

[DTV500A \(96807\)](#)

### Accessories

[CB 150-1,2 230V/1 Duct heater \(5378\)](#)

[CB 150-2,1 230V/1 Duct heater \(5379\)](#)

[CB 150-2,7 230V/1 Duct heater \(5380\)](#)

[CBM 150-2,1 230V/1 Duct heater \(5481\)](#)

[LDC 150-600 Silencer \(5199\)](#)

[FFR 150 Filter cassette \(1769\)](#)

[FK 150 Fast clamp \(1609\)](#)

[SG 150 Protection guard \(5555\)](#)

[RSK-150 Back draft damper \(5599\)](#)

[LDC 150-300 Silencer \(53723\)](#)

[CB 150-5,0 400V/2 Duct heater \(5381\)](#)

## Documentation



202341\_Fans\_Instructions\_CE\_A010.pdf (1,83MB)

## Specification text

KV 150XL TW Circular duct fan

DN150, 230V50Hz, 1~, imp. backw. curved

Circular duct fan for wall mounting, easy and direct installation in ducts.

Galvanized sheet steel housing.

Circular connection spigot, length 25mm, acc. to EN1506:1997

Free-running, backward curved centrifugal impeller made of plastic.

Balancing made to G 6.3, motor compl. with impeller statically and dynamically balanced in two planes acc. to DIN ISO 1940 T.1.

Voltage controllable external rotor motor, maintenance-free, the motor is placed inside the air flow for cooling. Integral thermal contacts with manual reset acc. to EN 60335-2-80, speed-controlled via a 5-step transformer or a stepless thyristor. Silent, long-life ball bearings. Terminal box (IP55) on the casing.

Mounting brackets included in delivery.

For indoor, outdoor installation as well as in wet areas.

Air leakage class C acc. to EN 12237:2003.

Installation in any mounting position.

PRODUCT: SYSTEMAIR

TYPE: KV 150XL TW

Item no. 1212

Name: **KV 150 XL SILEO** | Item no.: **25371** | Version: **50 Hz**

Document type: **Product card** | Document date: **2019-07-10** | Generated by: **Online catalogue**

6 / 6

## Get In Touch



Call: [0845 6880112](tel:08456880112)



Email: [info@adremit.co.uk](mailto:info@adremit.co.uk)

## Our Address

Puravent, Adremit Limited, Unit 5a, Commercial Yard,  
Settle, North Yorkshire, BD24 9RH