



# KV 100 M SILEO

Item no. 1205

Version: 50 Hz



## Description

- Speed-controllable
- Integral thermal contacts
- Can be installed in any position
- Can be installed outdoors
- Maintenance-free and reliable

The KV series is designed for installation in ducts. All KV-fans have minimum 25 mm long spigot connections. The FK mounting clamp facilitates easy installation and removal, and prevents the transfer of vibration to the duct. The fans have backward-curved blades and external rotor motors. KV fans can be speed-controlled via a stepless thyristor or a 5-step transformer. To protect the motor from overheating the KV 100 M and KV 125 M fans are impedance protected.

The casing is manufactured from galvanised sheet steel and folded which gives the fan a close to air tight casing, wet room applications of the fan are possible due to the air tight casing.



## Technical parameters

Nominal data		
Voltage	230	V
Frequency	50	Hz
Phase	1	~
Input power (P1)	28,9	W
Current	0,17	A
Max. airflow	0,0556	m³/s
R.p.m.	2465	r.p.m.
Weight	2,1	kg
Temperature data		
Max. temperature of transported air	70	°C
Max. temperature of transported air when speed-controlled	70	°C
Sound data		
Sound pressure level at 3 m	32,2	dB(A)
Protection / Classification		
Insulation class	B	
Enclosure class, motor	IP44	

### Get In Touch

Call: [0845 6880112](tel:08456880112)  
 Email: [info@adremit.co.uk](mailto:info@adremit.co.uk)

### Our Address

Puravent, Adremit Limited, Unit 5a, Commercial Yard,  
 Settle, North Yorkshire, BD24 9RH



ErP

Energy class, basic unit

F

Energy class, basic unit option

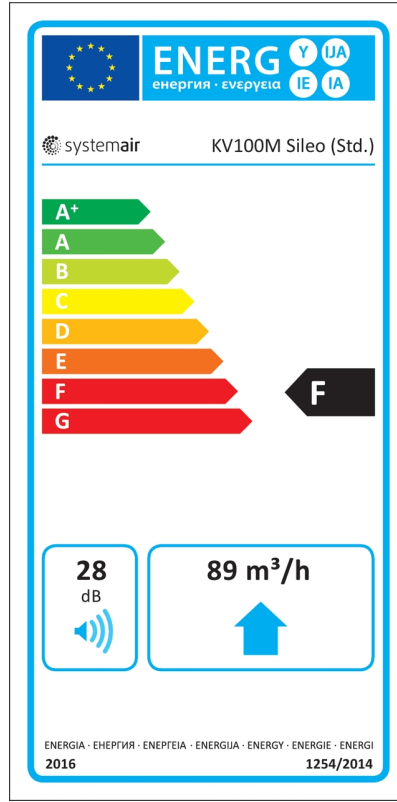
C

ErP ready

ErP 2018

Energy class label

Energy class, basic unit



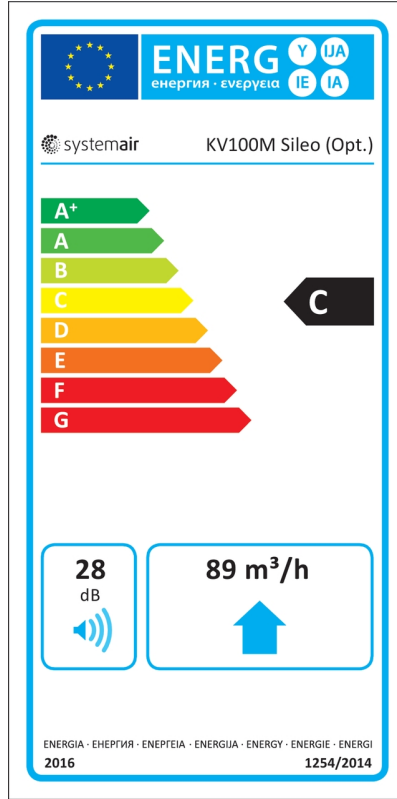
Get In Touch

Call: [0845 6880112](tel:08456880112)  
Email: [info@adremit.co.uk](mailto:info@adremit.co.uk)

Our Address

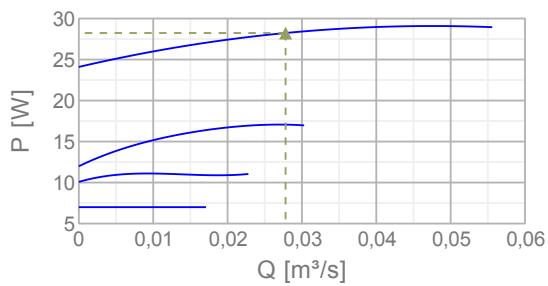
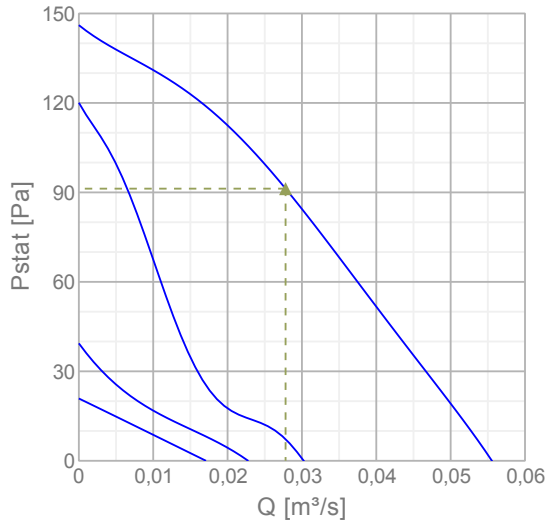
Puravent, Adremit Limited, Unit 5a, Commercial Yard,  
Settle, North Yorkshire, BD24 9RH

Energy class, unit with local demand control



Diagrams

Diagrams



Name: **KV 100 M SILEO** | Item no.: **1205** | Version: **50 Hz**

Document type: **Product card** | Document date: **2019-07-10** | Generated by: **Online catalogue**

Get In Touch

Call: [0845 6880112](tel:08456880112)  
 Email: [info@adremit.co.uk](mailto:info@adremit.co.uk)

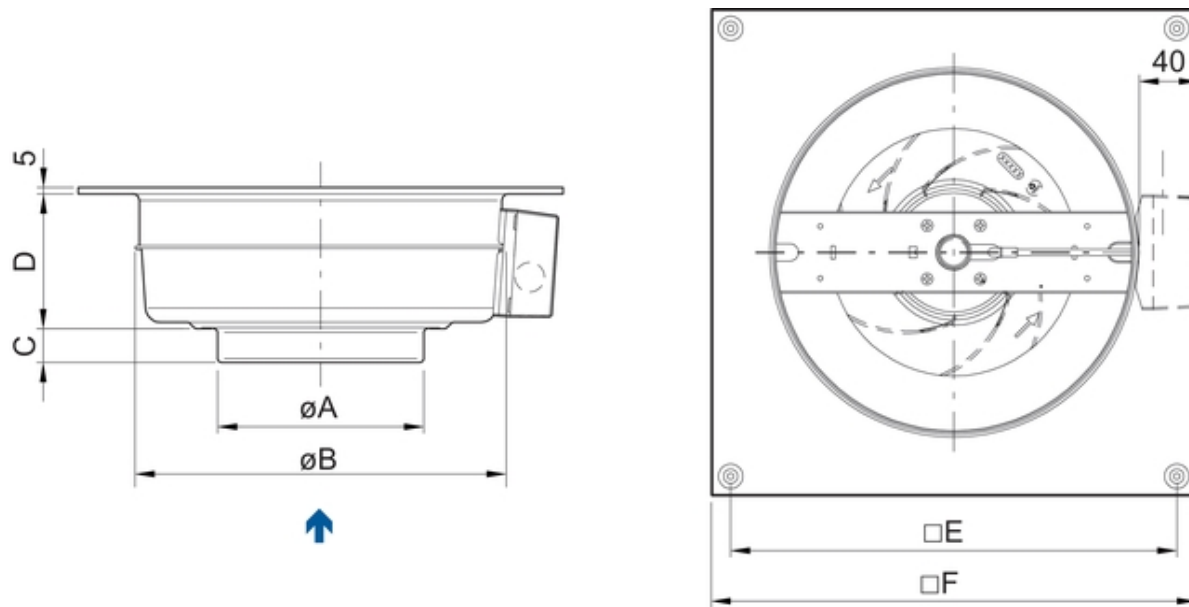
Our Address

Puravent, Adremit Limited, Unit 5a, Commercial Yard,  
 Settle, North Yorkshire, BD24 9RH

## Max efficiency

Hydraulic data										
▲ Working air flow	0,0278 m <sup>3</sup> /s									
▲ Working static pressure	91,3 Pa									
▲ Power	28,2 W									
Speed	2504 r.p.m.									
Current	0,16 A									
SFP	1,02 W/(l/s)									
Voltage	230 V									
Sound power level	63	125	250	500	1k	2k	4k	8k	Tot	
Inlet	dB(A)	47	58	60	53	52	47	36	21	63
Outlet	dB(A)	23	44	51	54	55	51	41	30	59
Surrounding	dB(A)	20	23	26	29	38	29	16	4	39

## Dimensions



	ØA	ØB	C	D	□E	□F
<b>KV 100</b>	99	218	26	143	254	284

### Get In Touch

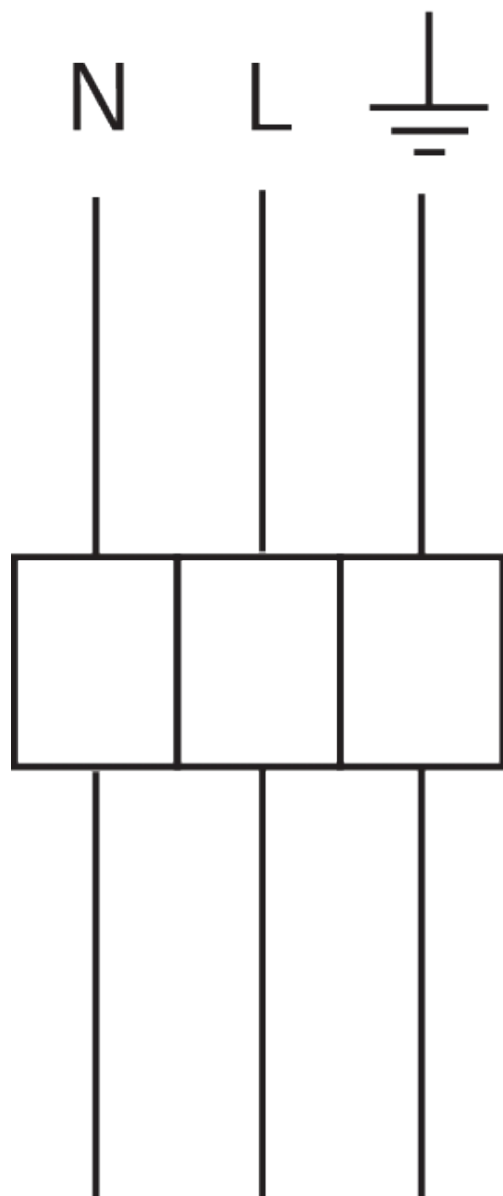
 **Call:** [0845 6880112](tel:08456880112)  
 **Email:** [info@adremit.co.uk](mailto:info@adremit.co.uk)

### Our Address

Puravent, Adremit Limited, Unit 5a, Commercial Yard,  
Settle, North Yorkshire, BD24 9RH

## Wiring

# 230V 1~



### Accessories

#### Electric accessories

[RE 1,5 Speed control \(5000\)](#)

[REU 1.5 Speed control \(5004\)](#)

[REE 1 Speed control \(5314\)](#)

[REPT 6 Digital regulator \(5698\)](#)

[RT 0-30 Room Thermostat \(5151\)](#)

[CO2RT-R-D Transmitter \(6993\)](#)

[Presence detector/IR24-P \(6995\)](#)

[DTV200 \(6261\)](#)

[STL 1.5 Speed controller \(84251\)](#)

[REV-3POL/03 ON/OFF \(33978\)](#)

[DTV500A \(96807\)](#)

Name: **KV 100 M SILEO** | Item no.: **1205** | Version: **50 Hz**

5 / 6

Document type: **Product card** | Document date: **2019-07-10** | Generated by: **Online catalogue**

### Get In Touch



Call: [0845 6880112](tel:08456880112)



Email: [info@adremit.co.uk](mailto:info@adremit.co.uk)

### Our Address

Puravent, Adremit Limited, Unit 5a, Commercial Yard,  
Settle, North Yorkshire, BD24 9RH

## Accessories

[CBM 100-0,6 230V/1 Duct heater \(5479\)](#)

[CWK 100-3-2,5 Duct cooler.circ \(30019\)](#)

[VBC 100-2 Water heating batt \(5456\)](#)

[LDC 100-600 Silencer \(5188\)](#)

[LDC 100-900 Silencer \(5189\)](#)

[FFR 100 Filter cassette \(1766\)](#)

[FGR 100 Filter cassette \(1802\)](#)

[FK 100 Fast clamp \(1607\)](#)

[VKK-100 Back draft damper \(1623\)](#)

[IGK-100 Wall Grid \(1630\)](#)

[RSK-100 Back draft damper \(5597\)](#)

[SG 100 Protection guard \(5606\)](#)

[VK-20 Louvre shutter \(5639\)](#)

[LDC 100-300 Silencer \(8180\)](#)

[LDC 100-1200 Silencer \(5996\)](#)

[VBC 100-3 Water heating batt \(9838\)](#)

## Documentation



[202341\\_Fans\\_Instructions\\_CE\\_A010.pdf \(1,83MB\)](#)



[Certificate S-mark KV 1211222.pdf \(1,33MB\)](#)

## Specification text

Name: **KV 100 M SILEO** | Item no.: **1205** | Version: **50 Hz**

Document type: **Product card** | Document date: **2019-07-10** | Generated by: **Online catalogue**

6 / 6

### Get In Touch



Call: [0845 6880112](tel:08456880112)



Email: [info@adremit.co.uk](mailto:info@adremit.co.uk)

### Our Address

Puravent, Adremit Limited, Unit 5a, Commercial Yard,  
Settle, North Yorkshire, BD24 9RH