



KVK SLIM 500 EC

Item no. 92157



Description

- Slim design, easy to install
- Easy maintenance, service cover
- Low sound level, insulated cover
- High efficiency and low SFP in a real working point
- Potentiometer included, possible to speed control 0-100%
- Simple to install, mounting brackets included
- Integrated motor protection
- Aluzinc casing, C4 corrosion class

KVK Slim is a box fan with circular duct connections. The lid is insulated to keep a low sound level. The fan can be installed in any position. The casing is manufactured from Aluzinc in corrosion class C4.

KVK Slim EC is delivered with integrated motor protection and pre-wired potentiometer (0-10V) that allows you to easily find the desired working point. The fan can be demand controlled via sensors for CO2, temperature, humidity, presence indication and VAV. Size 315-500 also offers possibility to communication via Modbus.

The FK mounting clamp (accessory) facilitates easy installation and removal and prevents the transfer of vibration to the duct.



Technical parameters

Nominal data		
Voltage	230	V
Frequency	50/60	Hz
Phase	1	~
Input power (P1)	779	W
Current	3,49	A
Max. airflow	1,74	m³/s
R.p.m.	1464	r.p.m.
Weight	53,1	kg
Temperature data		
Max. temperature of transported air	60	°C
Max. temperature of transported air when speed-controlled	60	°C
Sound data		
Sound pressure level at 3 m	61,8	dB(A)
Protection / Classification		
Insulation class	F	
Enclosure class, motor	IP54	

Get In Touch

Call: [0845 6880112](tel:08456880112)
 Email: info@adremit.co.uk

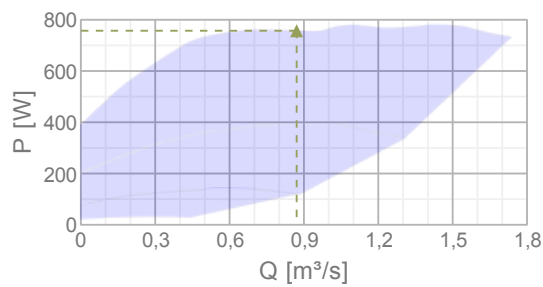
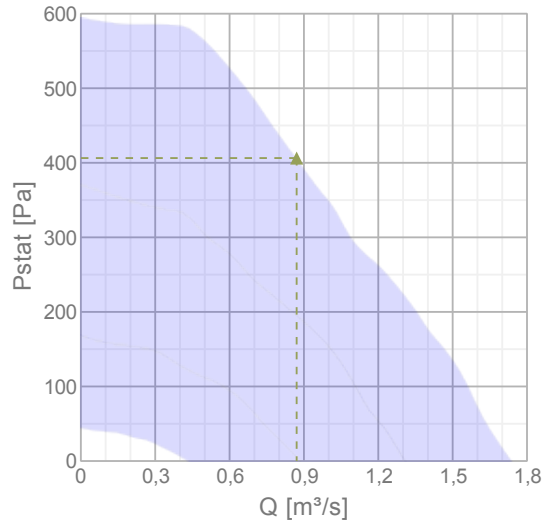
Our Address

Puravent, Adremit Limited, Unit 5a, Commercial Yard,
 Settle, North Yorkshire, BD24 9RH



Diagrams

Diagrams



Max efficiency

Hydraulic data										
▲ Working air flow	0,871 m ³ /s									
▲ Working static pressure	406 Pa									
▲ Power	757 W									
Speed	1488 r.p.m.									
Current	3,38 A									
SFP	0,87 W/(l/s)									
Voltage	230 V									
Sound power level		63	125	250	500	1k	2k	4k	8k	Tot
Inlet	dB(A)	64	76	74	69	69	68	62	54	80
Outlet	dB(A)	55	72	68	67	73	71	64	55	78
Surrounding	dB(A)	48	61	65	59	61	62	57	51	69

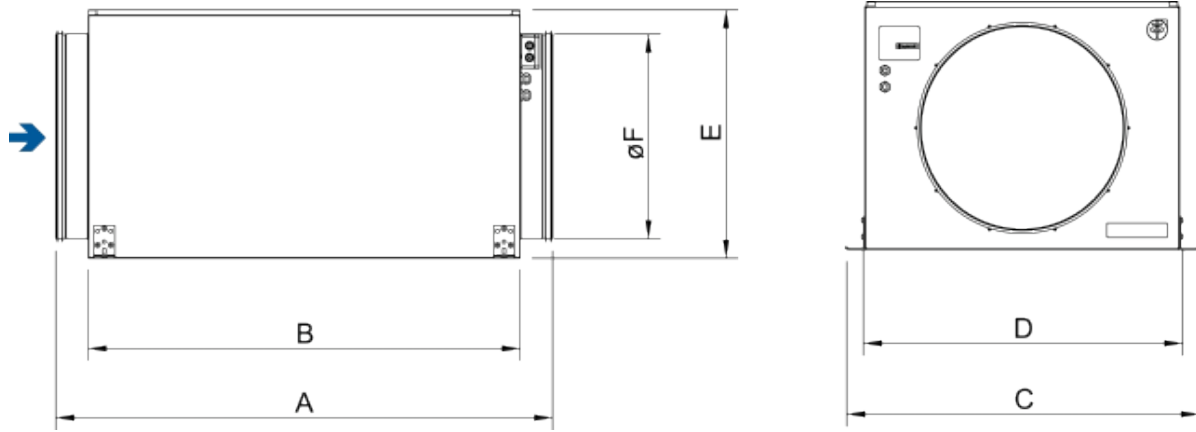
Get In Touch

Call: [0845 6880112](tel:08456880112)Email: info@adremit.co.uk

Our Address

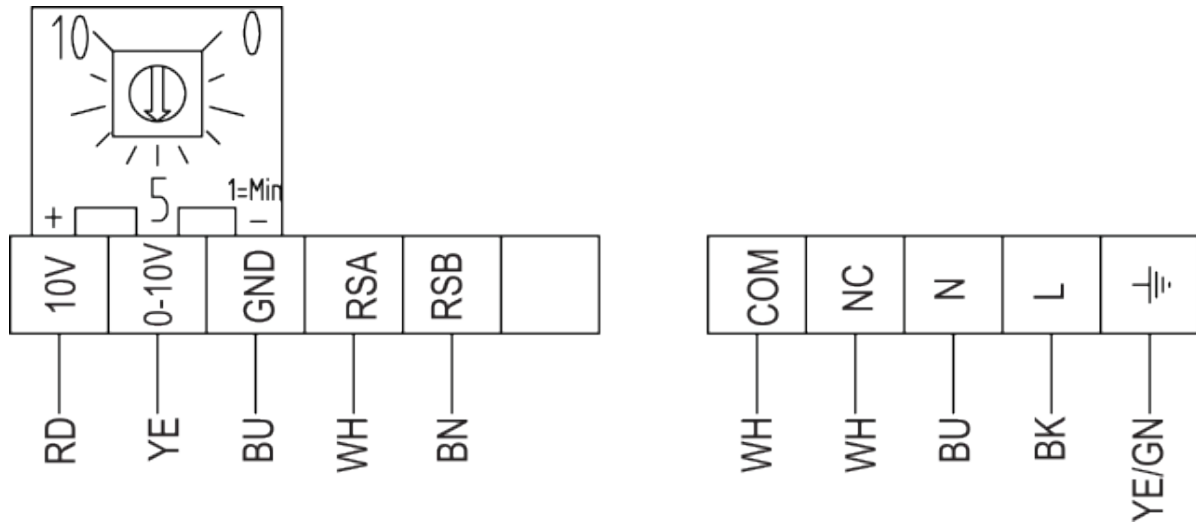
Puravent, Adremit Limited, Unit 5a, Commercial Yard, Settle, North Yorkshire, BD24 9RH

Dimensions



KVK SLIM	A	B	C	D	E	øF
500 EC	1213	1055	873	768	605	500

Wiring



RD	Red
YE	Yellow
BU	Blue
WH	White
GN	Green
BN	Brown
BK	Black

Get In Touch



Call: [0845 6880112](tel:08456880112)



Email: info@adremit.co.uk

Our Address

Puravent, Adremit Limited, Unit 5a, Commercial Yard,
Settle, North Yorkshire, BD24 9RH

Accessories

Electric accessories

[RT 0-30 Room Thermostat \(5151\)](#)
[CO2RT-R-D Transmitter \(6993\)](#)
[Presence detector/IR24-P \(6995\)](#)
[MTV-1/010 Controller 0..10V+ \(30650\)](#)
[DMD-C Pressure controller \(15793\)](#)
[MTP 10, 10K, Speed control \(32731\)](#)
[EC-Vent Room Unit \(3018\)](#)
[EC-Vent control board \(3115\)](#)
[REV-3POL/03 ON/OFF \(33978\)](#)
[MTP 20, on/off, 3-step \(310220\)](#)
[EC-Basic-H humidity \(24807\)](#)
[EC-Basic-T temperature \(24805\)](#)
[EC-Basic-U universal 0-10V \(24806\)](#)
[EC-Basic-CO2 and temperature \(24808\)](#)
[EC-Selector \(9908\)](#)
[CXE/AVC Modbus \(37256\)](#)
[S-5EC/FRQ \(76738\)](#)
[PCA 1000D2 Pressure controller \(76739\)](#)

Accessories

[FK 500 Fast clamp \(1617\)](#)
[SG 500 Protection guard \(5615\)](#)
[VK-50 Louvre shutter \(5646\)](#)
[RSK-500 Back draft damper \(73049\)](#)
[VBC 500-2 Water heating batt \(9837\)](#)

Documentation



[MODBUS LITE V5.01 parameter specification.pdf \(726,08kB\)](#)



[KVK_Silent_Slim_Operating_maintenance_145899_CE_EN_A007.pdf \(1,47MB\)](#)

Get In Touch



Call: [0845 6880112](tel:08456880112)



Email: info@adremit.co.uk

Our Address

Puravent, Adremit Limited, Unit 5a, Commercial Yard,
Settle, North Yorkshire, BD24 9RH