



KVK SILENT 400

Item no. 92165

Version: 50 Hz



Description

- Low sound level, thick and high density insulation
- Compact design, easy installation
- Easy maintenance, service cover
- Air tight design
- High efficiency and low SFP in a real working point
- Speed-controllable
- Simple to install, mounting brackets included
- Integrated motor protection
- Casing in fire classification EI30.
- Aluzinc casing, C4 corrosion class

KVK Silent is a box fan with circular duct connections. The casing is insulated with thick and high density mineral wool insulation. Due to this insulation the casing have fire classification EI30. The casing is manufactured from Aluzinc in corrosion class C4.

KVK Silent can be speed-controlled via a stepless thyristor or a 5-step transformer. To protect the motor from overheating, the fans have integral thermal contact with leads for connection to a motor protection device.

KVK Silent can be installed in any position.

The FK mounting clamp (accessory) facilitates easy installation and removal and prevents the transfer of vibration to the duct.



Technical parameters

Nominal data		
Voltage	230	V
Frequency	50	Hz
Phase	1	~
Input power (P1)	476	W
Current	2,33	A
Max. airflow	1,09	m³/s
R.p.m.	1349	r.p.m.
Capacitor	10	µF
Weight	77	kg
Temperature data		
Max. temperature of transported air	70	°C
Max. temperature of transported air when speed-controlled	70	°C
Sound data		
Sound pressure level at 3 m	41,4	dB(A)

Get In Touch

Call: [0845 6880112](tel:08456880112)
 Email: info@adremit.co.uk

Our Address

Puravent, Adremit Limited, Unit 5a, Commercial Yard,
 Settle, North Yorkshire, BD24 9RH



Protection / Classification

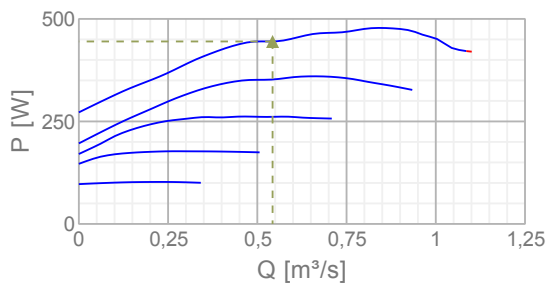
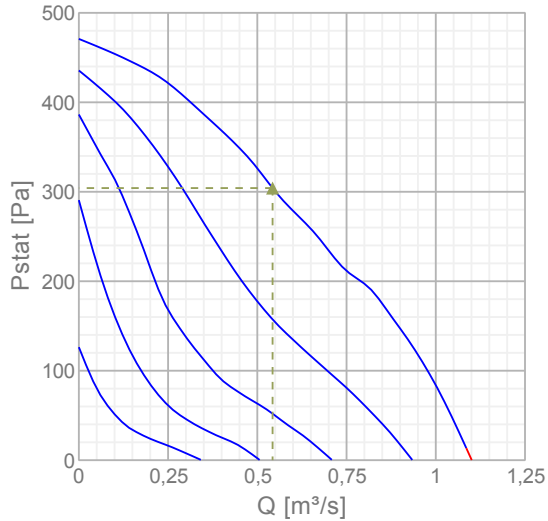
Insulation class	F
Enclosure class, motor	IP54

ErP

ErP ready	ErP 2018
-----------	----------

Diagrams

Diagrams



Max efficiency

Hydraulic data										
▲ Working air flow	0,543 m³/s									
▲ Working static pressure	304 Pa									
▲ Power	445 W									
Speed	1360 r.p.m.									
Current	2,18 A									
SFP	0,82 W/(l/s)									
Voltage	230 V									
Sound power level	63	125	250	500	1k	2k	4k	8k	Tot	
Inlet	50	63	54	49	48	47	43	37	64	dB(A)
Outlet	45	63	58	57	59	57	52	46	67	dB(A)
Surrounding	27	46	44	38	32	29	29	24	48	dB(A)

Name: **KVK SILENT 400** | Item no.: **92165** | Version: **50 Hz**

Document type: **Product card** | Document date: **2019-07-10** | Generated by: **Online catalogue**

2 / 4

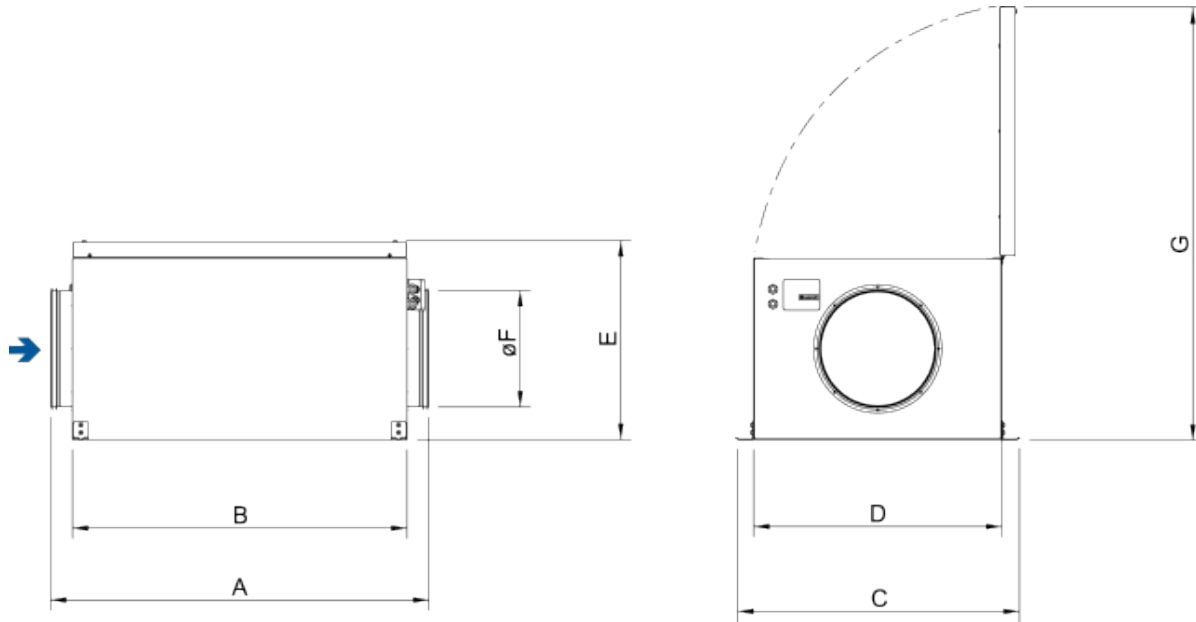
Get In Touch

 **Call:** [0845 6880112](tel:08456880112)
 **Email:** info@adremit.co.uk

Our Address

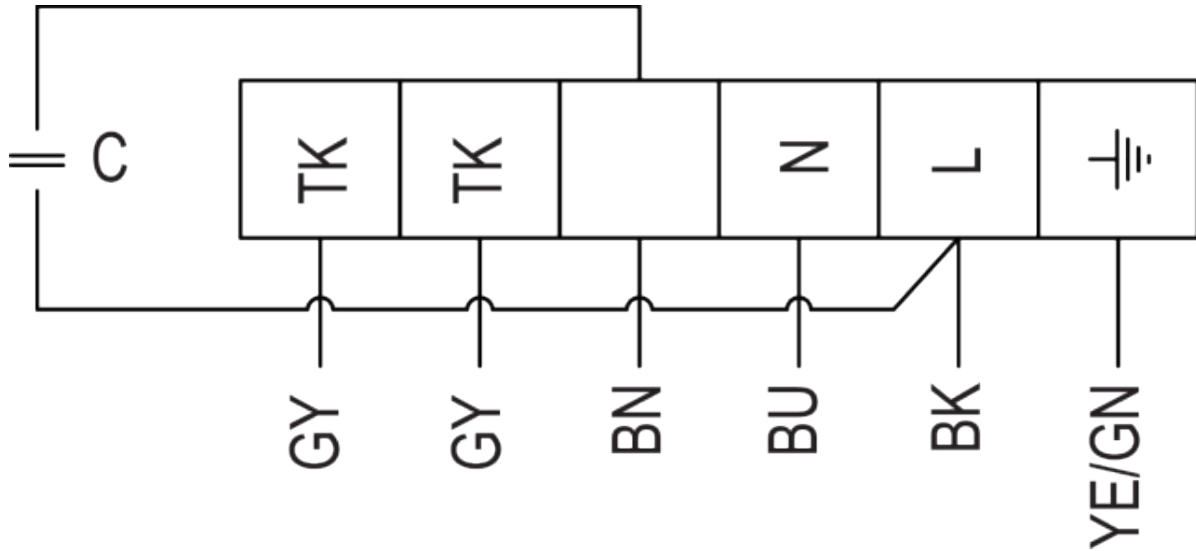
Puravent, Adremit Limited, Unit 5a, Commercial Yard, Settle, North Yorkshire, BD24 9RH

Dimensions





KVK SILENT	A	B	C	D	E	øF	G
400	1082	922	952	848	578	400	1383

Wiring



YE	Yellow
BU	Blue
GN	Green
BN	Brown
BK	Black
GY	Gray

Get In Touch

 Call: [0845 6880112](tel:08456880112)
 Email: info@adremit.co.uk

Our Address

Puravent, Adremit Limited, Unit 5a, Commercial Yard,
Settle, North Yorkshire, BD24 9RH

Accessories

Electric accessories

[REU 3 Speed control \(5005\)](#)
[RTRE 3 Speed control \(5009\)](#)
[REE 4 Speed control \(5317\)](#)
[REPT 6 Digital regulator \(5698\)](#)
[RT 0-30 Room Thermostat \(5151\)](#)
[S-ET 10 Motor Protection \(5154\)](#)
[S-ET 10E Motor Protection \(5155\)](#)
[CO2RT-R-D Transmitter \(6993\)](#)
[Presence detector/IR24-P \(6995\)](#)
[DTV200 \(6261\)](#)
[DTV500A \(96807\)](#)

Accessories

[CB 400-9,0 400V/3 Duct heater \(5392\)](#)
[CB 400-12,0 400V/3 Duct heater \(5393\)](#)
[CBM 400-9,0 400V/3 Duct heater \(5487\)](#)
[VBF 400 Water heating battery \(1736\)](#)
[CWK 400-3-2,5 Duct cooler,circ \(30026\)](#)
[VBC 400-2 Water heating batt \(5462\)](#)
[LDC 400-900 Silencer \(5198\)](#)
[FFR 400 Filter cassette \(1783\)](#)
[FGR 400 Filter cassette \(1823\)](#)
[FK 400 Fast clamp \(1615\)](#)
[VKK-400 Back draft damper \(1629\)](#)
[SG 400 Protection guard \(5613\)](#)
[VK-40 Louvre shutter \(5643\)](#)
[RSK-400 Back draft dmp. \(9973\)](#)
[VBC 400-3 Water heating batt \(9845\)](#)
[CB 400-6,0 400V/2 Duct heater \(5391\)](#)

Documentation



[KVK_Silent_Slim_Operating_maintenance_145899_CE_EN_A007.pdf \(1,47MB\)](#)

Get In Touch



Call: [0845 6880112](tel:08456880112)



Email: info@adremit.co.uk

Our Address

Puravent, Adremit Limited, Unit 5a, Commercial Yard,
Settle, North Yorkshire, BD24 9RH