



KVK SILENT 250

Item no. 92162

Version: 50 Hz



Description

- Low sound level, thick and high density insulation
- Compact design, easy installation
- Easy maintenance, service cover
- Air tight design
- High efficiency and low SFP in a real working point
- Speed-controllable
- Simple to install, mounting brackets included
- Integrated motor protection
- Aluzinc casing, C4 corrosion class

KVK Silent is a box fan with circular duct connections. The casing is insulated with thick and high density mineral wool insulation. The casing is manufactured from Aluzinc in corrosion class C4.

KVK Silent can be demand controlled via sensors and controllers for CO2, temperature, humidity, presence indication and VAV or manually speed controlled via a stepless thyristor or a 5-step transformer. To protect the motor from overheating, the fans have integral thermal contacts with manual reset (reset by disconnecting the power).

KVK Silent can be installed in any position.

The FK mounting clamp (accessory) facilitates easy installation and removal and prevents the transfer of vibration to the duct.



Technical parameters

Nominal data		
Voltage	230	V
Frequency	50	Hz
Phase	1	~
Input power (P1)	238	W
Current	1,04	A
Max. airflow	0,355	m³/s
R.p.m.	2711	r.p.m.
Capacitor	6	µF
Weight	29,1	kg
Temperature data		
Max. temperature of transported air	70	°C
Max. temperature of transported air when speed-controlled	70	°C
Sound data		
Sound pressure level at 3 m	47,4	dB(A)

Get In Touch

Call: [0845 6880112](tel:08456880112)
 Email: info@adremit.co.uk

Our Address

Puravent, Adremit Limited, Unit 5a, Commercial Yard,
 Settle, North Yorkshire, BD24 9RH



Protection / Classification

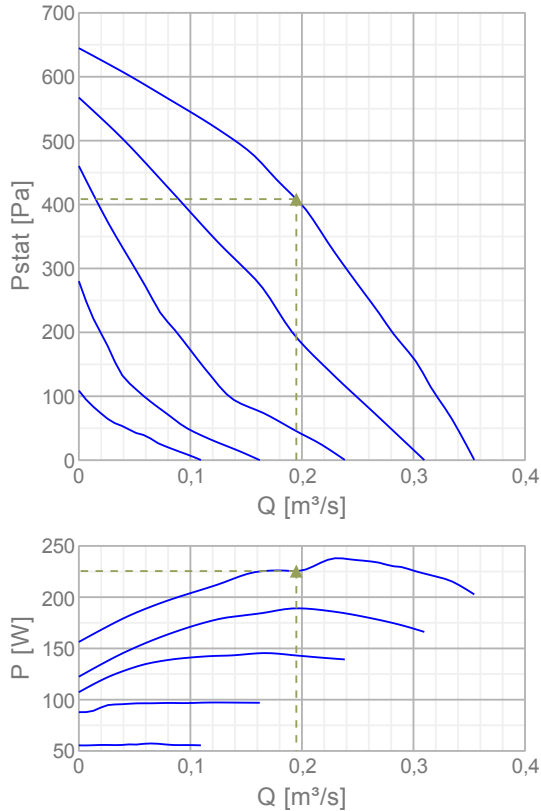
Insulation class	F
Enclosure class, motor	IP44

ErP

ErP ready	ErP 2018
-----------	----------

Diagrams

Diagrams



Max efficiency

Hydraulic data											
▲ Working air flow	0,195 m³/s										
▲ Working static pressure	409 Pa										
▲ Power	225 W										
Speed	2735 r.p.m.										
Current	0,982 A										
SFP	1,16 W/(l/s)										
Voltage	230 V										
Sound power level	63	125	250	500	1k	2k	4k	8k	Tot		
Inlet	dB(A)		54	61	66	58	57	54	51	47	69
Outlet	dB(A)		50	62	70	64	65	66	58	53	73
Surrounding	dB(A)		27	39	53	45	43	40	43	30	54

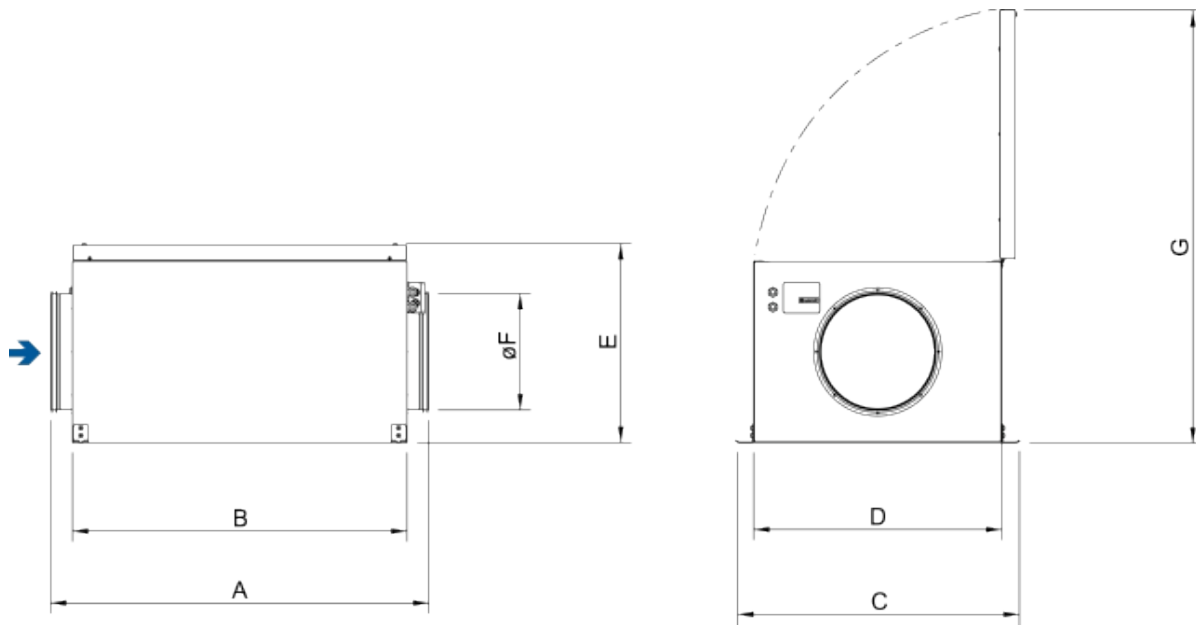
Get In Touch

 **Call:** [0845 6880112](tel:08456880112)
 **Email:** info@adremit.co.uk

Our Address

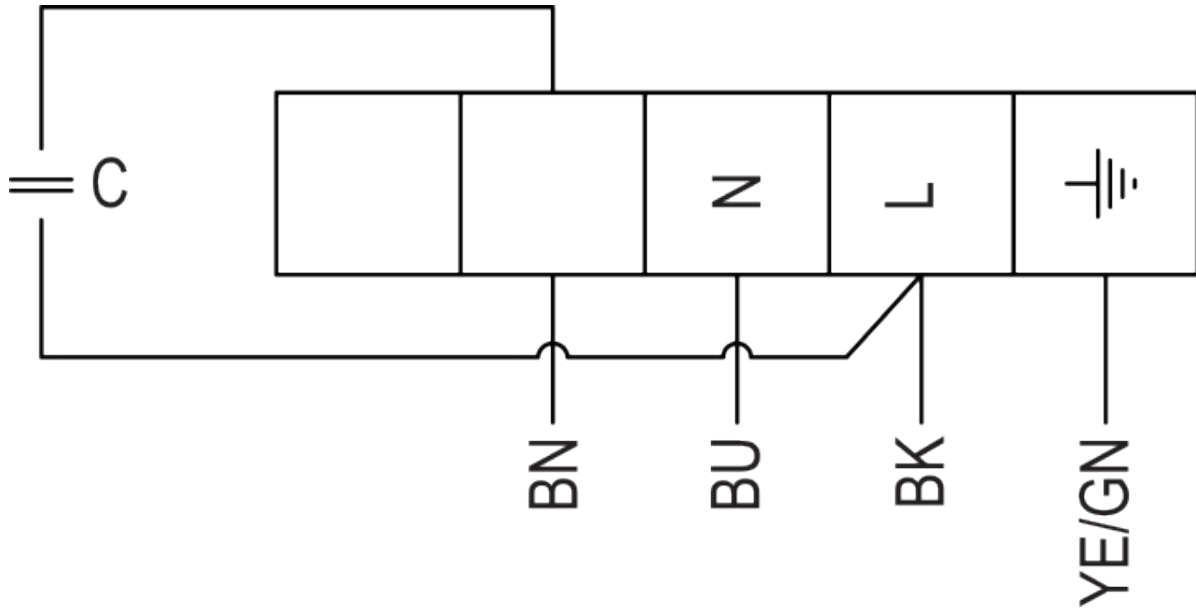
Puravent, Adremit Limited, Unit 5a, Commercial Yard, Settle, North Yorkshire, BD24 9RH

Dimensions



KVK SILENT	A	B	C	D	E	øF	G
250 AC/EC	836	720	630	533	382	250	872

Wiring



YE	Yellow
BU	Blue
GN	Green
BN	Brown
BK	Black

Get In Touch



Call: [0845 6880112](tel:08456880112)



Email: info@adremit.co.uk

Our Address

Puravent, Adremit Limited, Unit 5a, Commercial Yard,
Settle, North Yorkshire, BD24 9RH

Accessories

Electric accessories

[RE 1.5 Speed control \(5000\)](#)
[REU 1.5 Speed control \(5004\)](#)
[REE 2 Speed control \(5316\)](#)
[REPT 6 Digital regulator \(5698\)](#)
[RT 0-30 Room Thermostat \(5151\)](#)
[CO2RT-R-D Transmitter \(6993\)](#)
[Presence detector/IR24-P \(6995\)](#)
[DTV200 \(6261\)](#)
[DTV500A \(96807\)](#)

Accessories

[CB 250-9,0 400V/3 Duct heater \(5373\)](#)
[CB 250-3,0 230V/1 Duct heater \(5385\)](#)
[VBF 250 Water heating battery \(1733\)](#)
[CWX 250-3-2,5 Duct cooler circ \(30024\)](#)
[VBC 250-2 Water heating batt \(5460\)](#)
[LDC 250-900 Silencer \(5196\)](#)
[FFR 250 Filter cassette \(1776\)](#)
[FGR 250 Filter cassette \(1815\)](#)
[FK 250 Fast clamp \(1612\)](#)
[VKK-250 Back draft damper \(1627\)](#)
[RSK-250 Back draft damper \(5603\)](#)
[SG 250 Protection guard \(5610\)](#)
[VK-25 Louvre shutter \(5640\)](#)
[CBM 250-6,0 400V/2 Duct heater \(9089\)](#)
[VBC 250-3 Water heating batt \(9843\)](#)
[CB 250-6,0 400V/2 Duct heater \(5372\)](#)

Documentation



[KVK_Silent_Slim_Operating_maintenance_145899_CE_EN_A007.pdf \(1,47MB\)](#)

Get In Touch



Call: [0845 6880112](tel:08456880112)



Email: info@adremit.co.uk

Our Address

Puravent, Adremit Limited, Unit 5a, Commercial Yard,
Settle, North Yorkshire, BD24 9RH