



# KVK SILENT 200

Item no. 92161

Version: 50 Hz



## Description

- Low sound level, thick and high density insulation
- Compact design, easy installation
- Easy maintenance, service cover
- Air tight design
- High efficiency and low SFP in a real working point
- Speed-controllable
- Simple to install, mounting brackets included
- Integrated motor protection
- Aluzinc casing, C4 corrosion class

KVK Silent is a box fan with circular duct connections. The casing is insulated with thick and high density mineral wool insulation. The casing is manufactured from Aluzinc in corrosion class C4.

KVK Silent can be demand controlled via sensors and controllers for CO2, temperature, humidity, presence indication and VAV or manually speed controlled via a stepless thyristor or a 5-step transformer. To protect the motor from overheating, the fans have integral thermal contacts with manual reset (reset by disconnecting the power).

KVK Silent can be installed in any position.

The FK mounting clamp (accessory) facilitates easy installation and removal and prevents the transfer of vibration to the duct.



## Technical parameters

Nominal data	
Voltage	230 V
Frequency	50 Hz
Phase	1 ~
Input power (P1)	105 W
Current	0,465 A
Max. airflow	0,205 m³/s
R.p.m.	2439 r.p.m.
Capacitor	2,5 µF
Weight	21,1 kg
Temperature data	
Max. temperature of transported air	70 °C
Sound data	
Sound pressure level at 3 m	40 dB(A)
Protection / Classification	
Insulation class	F
Enclosure class, motor	IP44

### Get In Touch

Call: [0845 6880112](tel:08456880112)  
 Email: [info@adremit.co.uk](mailto:info@adremit.co.uk)

### Our Address

Puravent, Adremit Limited, Unit 5a, Commercial Yard,  
 Settle, North Yorkshire, BD24 9RH



ErP

Energy class, basic unit

E

Energy class, basic unit option

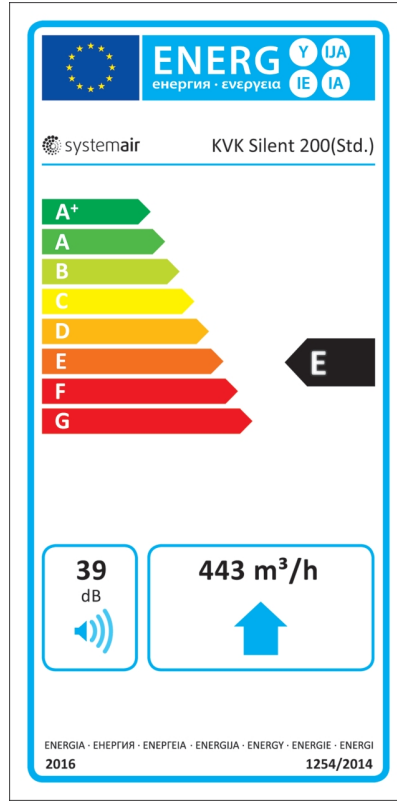
C

ErP ready

ErP 2018

Energy class label

Energy class, basic unit



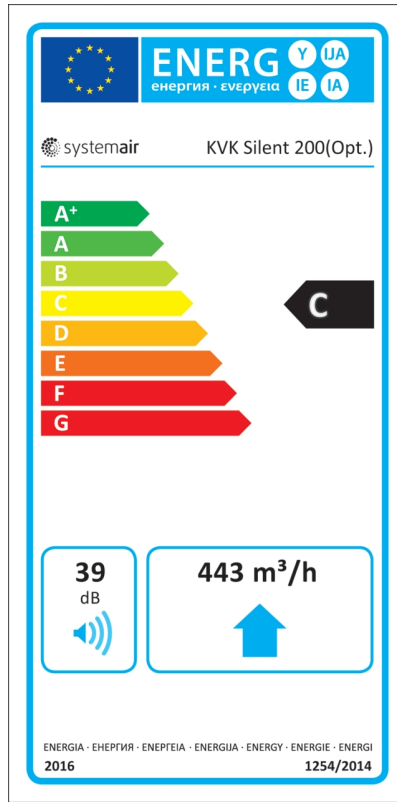
Get In Touch

Call: [0845 6880112](tel:08456880112)  
Email: [info@adremit.co.uk](mailto:info@adremit.co.uk)

Our Address

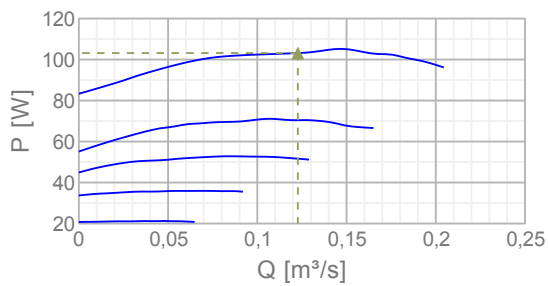
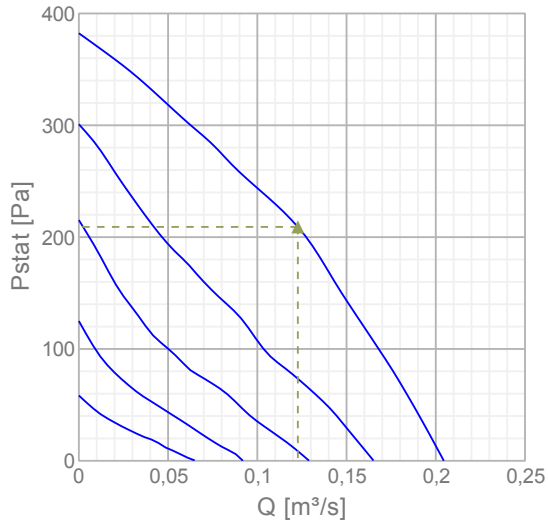
Puravent, Adremit Limited, Unit 5a, Commercial Yard,  
Settle, North Yorkshire, BD24 9RH

Energy class, unit with local demand control



Diagrams

Diagrams



Name: **KVK SILENT 200** | Item no.: **92161** | Version: **50 Hz**

Document type: **Product card** | Document date: **2019-07-10** | Generated by: **Online catalogue**

Get In Touch

Call: [0845 6880112](tel:08456880112)  
 Email: [info@adremit.co.uk](mailto:info@adremit.co.uk)

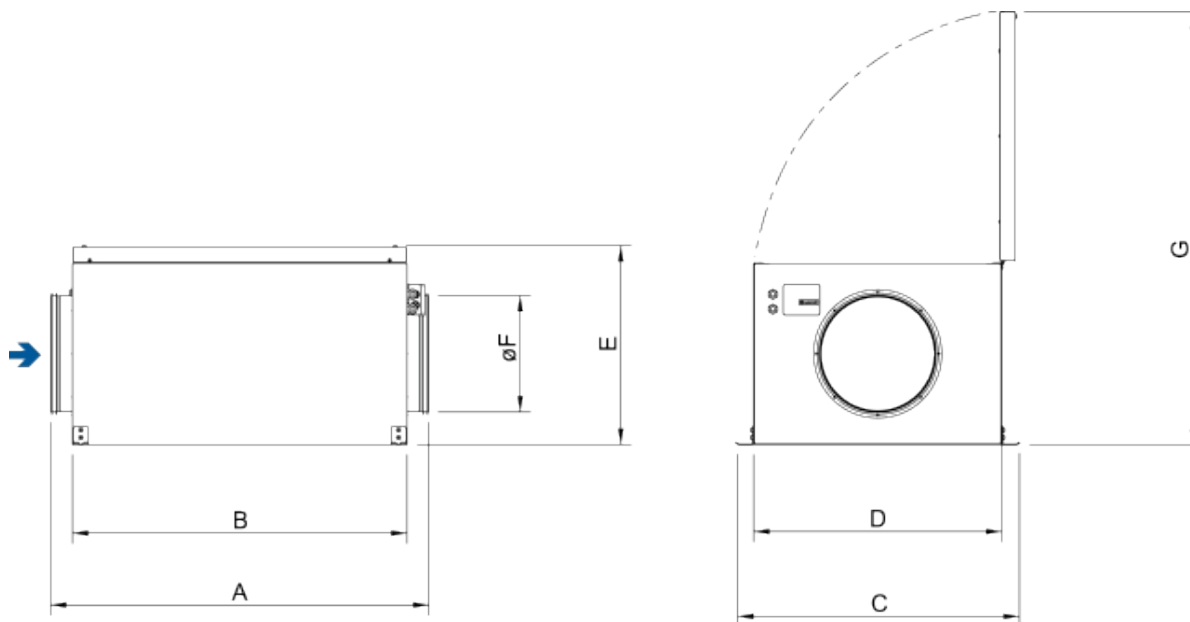
Our Address

Puravent, Adremit Limited, Unit 5a, Commercial Yard,  
 Settle, North Yorkshire, BD24 9RH

## Max efficiency

Hydraulic data										
▲ Working air flow										0,123 m <sup>3</sup> /s
▲ Working static pressure										209 Pa
▲ Power										103 W
Speed										2444 r.p.m.
Current										0,458 A
SFP										0,841 W/(l/s)
Voltage										230 V
Sound power level		63	125	250	500	1k	2k	4k	8k	Tot
Inlet	dB(A)	50	55	61	54	47	46	43	40	63
Outlet	dB(A)	47	51	60	58	56	57	51	40	64
Surrounding	dB(A)	24	34	45	39	34	31	33	33	47

## Dimensions



KVK SILENT	A	B	C	D	E	øF	G
200 AC/EC	682	604	596	500	352	200	810

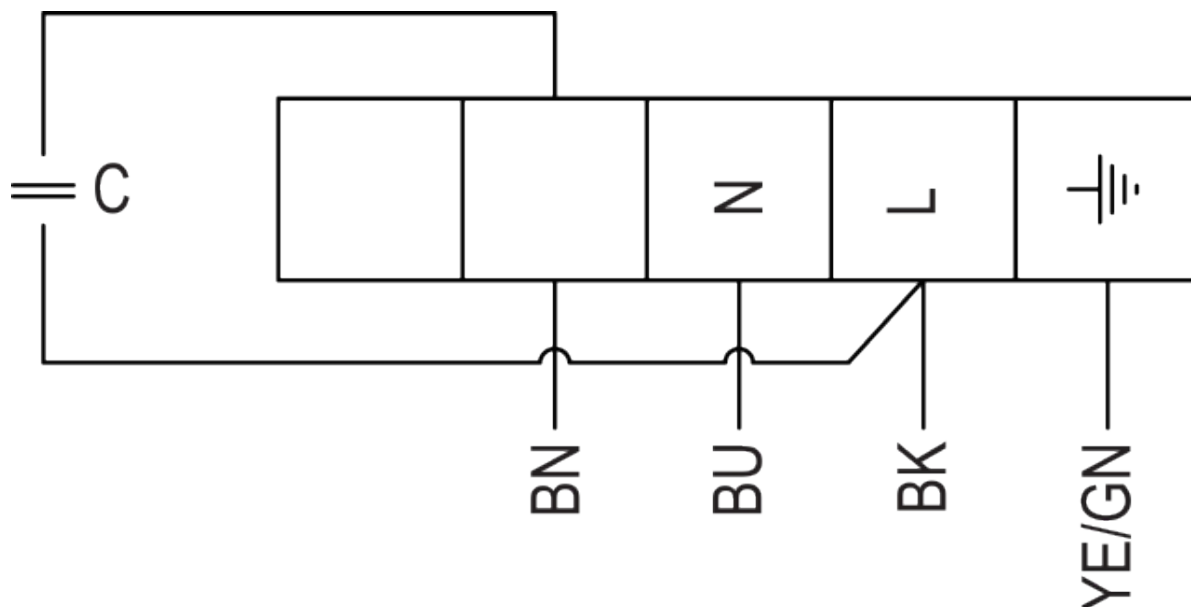
### Get In Touch

Call: [0845 6880112](tel:08456880112)  
 Email: [info@adremit.co.uk](mailto:info@adremit.co.uk)

### Our Address

Puravent, Adremit Limited, Unit 5a, Commercial Yard,  
 Settle, North Yorkshire, BD24 9RH

## Wiring



YE	Yellow
BU	Blue
GN	Green
BN	Brown
BK	Black

## Accessories


### Electric accessories

- [RE 1,5 Speed control \(5000\)](#)
- [REU 1.5 Speed control \(5004\)](#)
- [REE 1 Speed control \(5314\)](#)
- [REPT 6 Digital regulator \(5698\)](#)
- [RT 0-30 Room Thermostat \(5151\)](#)
- [CO2RT-R-D Transmitter \(6993\)](#)
- [Presence detector/IR24-P \(6995\)](#)
- [DTV200 \(6261\)](#)
- [DTV500A \(96807\)](#)

### Accessories

- [CB 200-3,0 230V/1 Duct heater \(5370\)](#)
- [CB 200-2,1 230V/1 Duct heater \(5384\)](#)
- [CBM 200-5,0 400V/2 Duct heater \(5483\)](#)
- [VBF 200 Water heating battery \(1732\)](#)
- [CWK 200-3-2.5 Duct cooler.circ \(30023\)](#)
- [VBC 200-2 Water heating batt \(5459\)](#)
- [LDC 200-600 Silencer \(5194\)](#)
- [LDC 200-900 Silencer \(5195\)](#)
- [FFR 200 Filter cassette \(1773\)](#)
- [FGR 200 Filter cassette \(1812\)](#)
- [FK 200 Fast clamp \(1611\)](#)
- [VKK-200 Back draft damper \(1626\)](#)
- [IGK-200 Wall Grid \(1633\)](#)
- [RSK-200 Back draft damper \(5602\)](#)
- [SG 200 Protection guard \(5609\)](#)
- [VK-20 Louvre shutter \(5639\)](#)
- [VBC 200-3 Water heating batt \(9841\)](#)
- [THB 200 Hood w.cover pl. black \(134465\)](#)
- [CB 200/S1/3,0KW 400V/2Duct hea \(5294\)](#)
- [CB 200-5,0 400V/2 Duct heater \(5371\)](#)

## Documentation



-  [KVK\\_Silent\\_Slim\\_Operating\\_maintenance\\_145899\\_CE\\_EN\\_A007.pdf \(1,47MB\)](#)

Name: **KVK SILENT 200** | Item no.: **92161** | Version: **50 Hz**

Document type: **Product card** | Document date: **2019-07-10** | Generated by: **Online catalogue**

5 / 6

## Get In Touch

-  **Call:** [0845 6880112](tel:08456880112)
-  **Email:** [info@adremit.co.uk](mailto:info@adremit.co.uk)

## Our Address

Puravent, Adremit Limited, Unit 5a, Commercial Yard,  
Settle, North Yorkshire, BD24 9RH



---

Name: **KVK SILENT 200** | Item no.: **92161** | Version: **50 Hz**

6 / 6

Document type: **Product card** | Document date: **2019-07-10** | Generated by: **Online catalogue**

### Get In Touch



Call: [0845 6880112](tel:08456880112)



Email: [info@adremit.co.uk](mailto:info@adremit.co.uk)

### Our Address

Puravent, Adremit Limited, Unit 5a, Commercial Yard,  
Settle, North Yorkshire, BD24 9RH

