



KVK 200 INS. CIRC. DUCT FAN

Item no. 27427

Version: 50 Hz

Document type: **Product card**
 Document date: **2019-07-10**
 Generated by: **Systemair Online Catalogue**

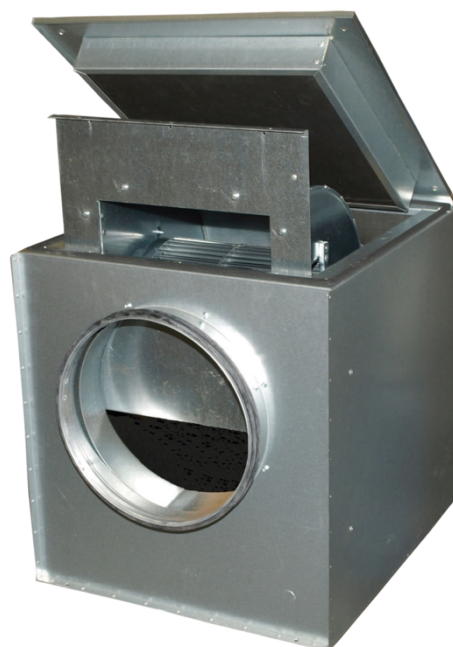


Description

- Speed-controllable
- Integral thermal contacts
- Low noise level
- Easily removable fan assembly

KVK 200-500 models have a double inlet centrifugal fan with forward-curved impellers and a maintenance-free external rotor motor. The fan is mounted on a plate to facilitate easy removal for cleaning and servicing. To protect the motor from overheating the fans have an integral thermal contact with leads for connection to a motor protection device.

The fans can be installed in any position and are easy to connect to spiral ducts using FK mounting clamps. The KVK models are manufactured from galvanised sheet steel and are thermally and acoustically insulated with a 50 mm layer of rockwool with a surface liner which prevents the migration of fibres into the airstream.



Technical parameters

Nominal data		
Voltage	230	V
Frequency	50	Hz
Phase	1	~
Input power (P1)	191	W
Current	0,837	A
Max. airflow	0,238	m³/s
R.p.m.	2422	r.p.m.
Capacitor	4	µF
Weight	13,9	kg
Temperature data		
Max. temperature of transported air	70	°C
Max. temperature of transported air when speed-controlled	70	°C

Get In Touch

Call: [0845 6880112](tel:08456880112)
 Email: info@adremit.co.uk

Our Address

Puravent, Adremit Limited, Unit 5a, Commercial Yard,
 Settle, North Yorkshire, BD24 9RH



Sound data

Sound pressure level at 3 m 39,4 dB(A)

Protection / Classification

Insulation class F

Enclosure class, motor IP44

ErP

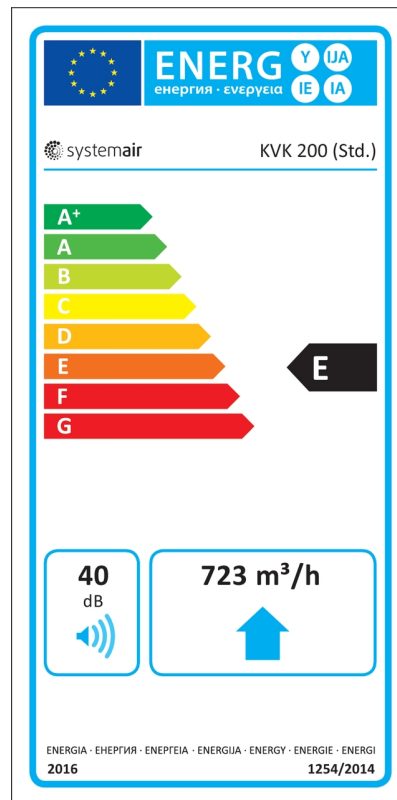
Energy class, basic unit E

Energy class, basic unit option C

ErP ready ErP 2016/ErP 2018

Energy class label

Energy class, basic unit



Name: **KVK 200 INS. CIRC. DUCT FAN** | Item no.: **27427** | Version: **50 Hz**

Document type: **Product card** | Document date: **2019-07-10** | Generated by: **Online catalogue**

2 / 6

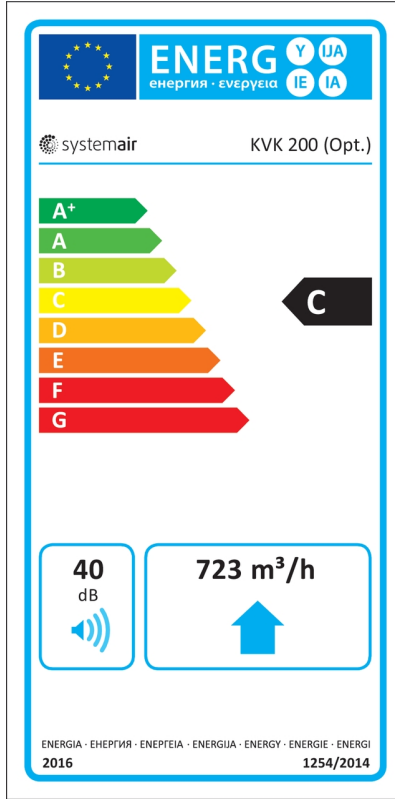
Get In Touch

Call: [0845 6880112](tel:08456880112)
Email: info@adremit.co.uk

Our Address

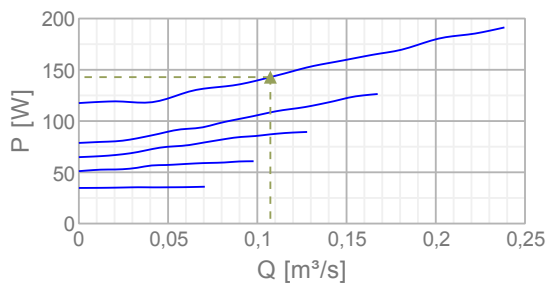
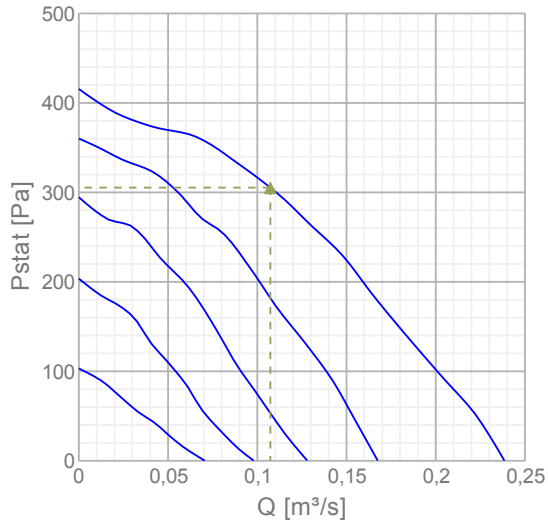
Puravent, Adremit Limited, Unit 5a, Commercial Yard,
Settle, North Yorkshire, BD24 9RH

Energy class, unit with local demand control



Diagrams

Diagrams



Get In Touch

Call: [0845 6880112](tel:08456880112)
 Email: info@adremit.co.uk

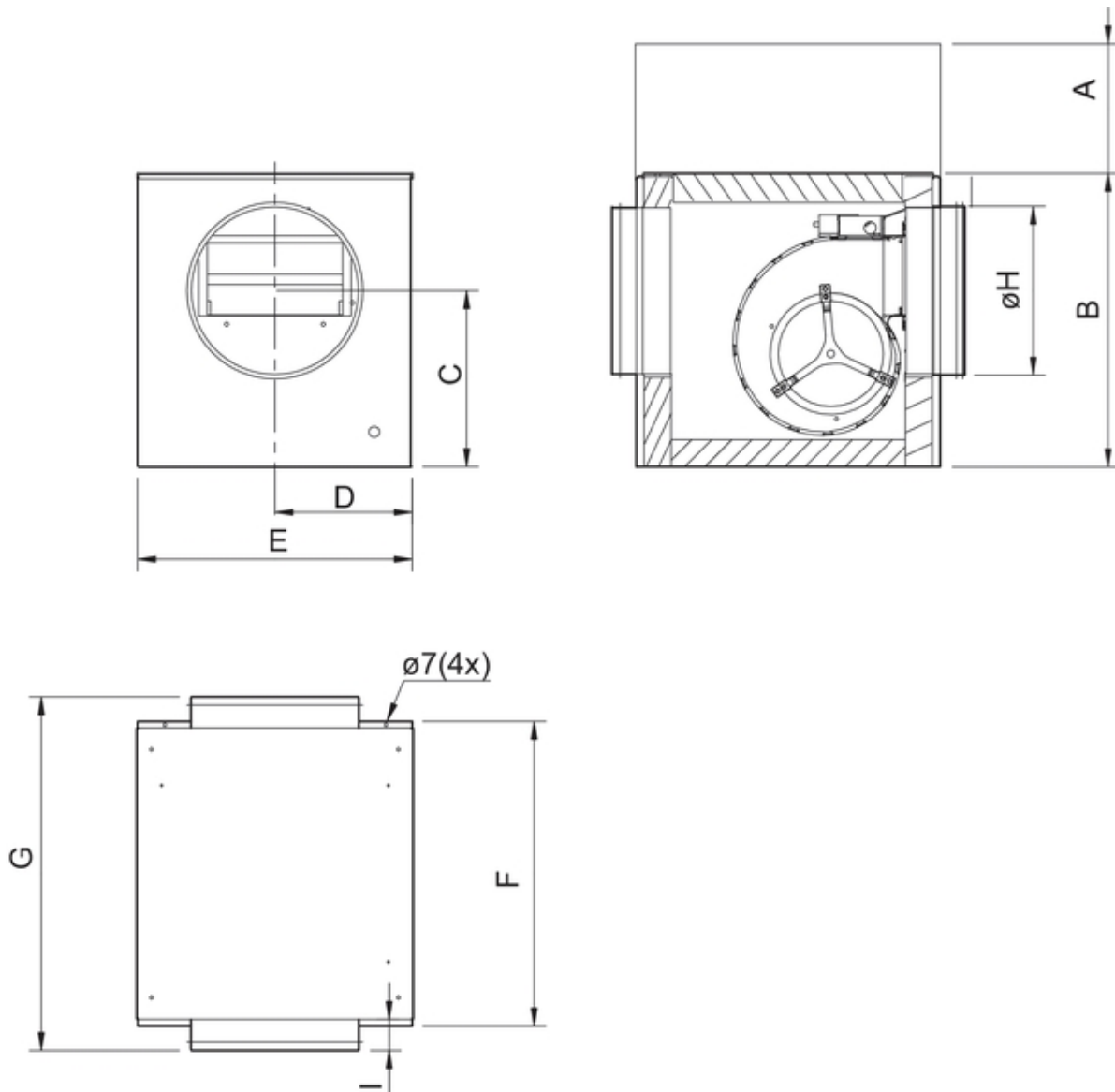
Our Address

Puravent, Adremit Limited, Unit 5a, Commercial Yard,
 Settle, North Yorkshire, BD24 9RH

Max efficiency

Hydraulic data										
▲ Working air flow										0,107 m ³ /s
▲ Working static pressure										305 Pa
▲ Power										143 W
Speed										2663 r.p.m.
Current										0,629 A
SFP										1,33 W/(l/s)
Voltage										230 V
Sound power level		63	125	250	500	1k	2k	4k	8k	Tot
Inlet	dB(A)	54	58	56	53	46	47	41	38	62
Outlet	dB(A)	59	65	63	67	68	67	64	58	74
Surrounding	dB(A)	34	36	41	41	36	39	32	25	47

Dimensions



	A*	B	C	D	E	F	G	ØH	I
KVK 200	340	345	191	193	395	395	440	200	20

*= Free area

Name: **KVK 200 INS. CIRC. DUCT FAN** | Item no.: **27427** | Version: **50 Hz**

Document type: **Product card** | Document date: **2019-07-10** | Generated by: **Online catalogue**

4 / 6

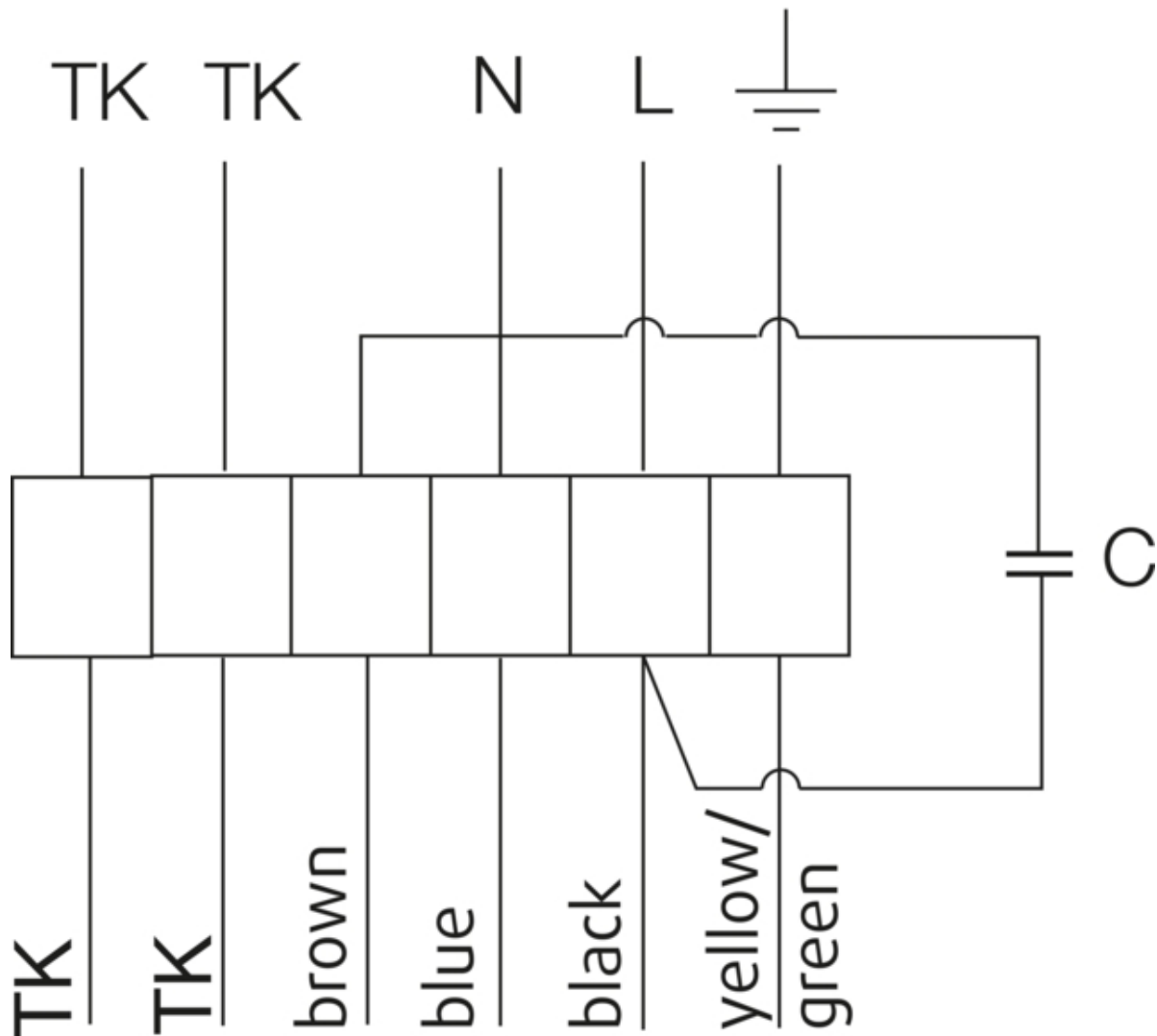
Get In Touch

Call: [0845 6880112](tel:08456880112)
 Email: info@adremit.co.uk

Our Address

Puravent, Adremit Limited, Unit 5a, Commercial Yard,
 Settle, North Yorkshire, BD24 9RH

230V 1~



U1 = blue = blau
 U2 = black = schwarz
 Z = brown = braun
 PE = yellow/green = grün-gelb

Accessories

Electric accessories

[REU 1.5 Speed control \(5004\)](#)
[RTRE 1.5 Speed control \(5008\)](#)
[REE 1 Speed control \(5314\)](#)
[REPT 6 Digital regulator \(5698\)](#)
[RT 0-30 Room Thermostat \(5151\)](#)
[S-ET 10 Motor Protection \(5154\)](#)
[S-ET 10E Motor Protection \(5155\)](#)
[CO2RT-R-D Transmitter \(6993\)](#)
[Presence detector/IR24-P \(6995\)](#)
[RETP 6 Temp/Pressure regulator \(32293\)](#)
[STL 1.5 Speed controller \(84251\)](#)
[REV-5POL/05 ON/OFF \(33979\)](#)
[FRQS-E-6A \(37419\)](#)
[FRQ5S-E-6A \(37421\)](#)

Get In Touch

 Call: [0845 6880112](tel:08456880112)
 Email: info@adremit.co.uk

Our Address

Puravent, Adremit Limited, Unit 5a, Commercial Yard,
 Settle, North Yorkshire, BD24 9RH

Accessories

[CB 200-3,0 230V/1 Duct heater \(5370\)](#)
[CB 200-2,1 230V/1 Duct heater \(5384\)](#)
[CBM 200-5,0 400V/2 Duct heater \(5483\)](#)
[VBF 200 Water heating battery \(1732\)](#)
[CWK 200-3-2,5 Duct cooler,circ \(30023\)](#)
[VBC 200-2 Water heating batt \(5459\)](#)
[LDC 200-600 Silencer \(5194\)](#)
[LDC 200-900 Silencer \(5195\)](#)
[FFR 200 Filter cassette \(1773\)](#)
[FGR 200 Filter cassette \(1812\)](#)
[FK 200 Fast clamp \(1611\)](#)
[VKK-200 Back draft damper \(1626\)](#)
[IGK-200 Wall Grid \(1633\)](#)
[RSK-200 Back draft damper \(5602\)](#)
[SG 200 Protection guard \(5609\)](#)
[VK-20 Louvre shutter \(5639\)](#)
[VBC 200-3 Water heating batt \(9841\)](#)
[THB 200 Hood w.cover pl. black \(134465\)](#)
[CB 200/S1/3,0KW 400V/2Duct hea \(5294\)](#)
[CB 200-5,0 400V/2 Duct heater \(5371\)](#)

Documentation



202341_Fans_Instructions_CE_A010.pdf (1,83MB)



Semko Certificate KVK 1116708.pdf (1,38MB)

Get In Touch



Call: [0845 6880112](tel:08456880112)



Email: info@adremit.co.uk

Our Address

Puravent, Adremit Limited, Unit 5a, Commercial Yard,
Settle, North Yorkshire, BD24 9RH