



KVK 160 M INS. CIRC. DUCT FAN

Item no. 2433

Version: 50 Hz

Document type: **Product card**
 Document date: **2019-07-10**
 Generated by: **Systemair Online Catalogue**



Description

- Speed-controllable
- Integral thermal contacts
- Low noise level
- Compact construction

The KVK 125-160 models have a single-inlet centrifugal fan with forward-curved blades and a maintenance-free external rotor motor. To protect the motor from overheating the KVK 125-160 has integral thermal contacts with electrical reset. The fans can be installed in any position, and are easy to connect to spiral ducts using FK mounting clamps. The KVK models are manufactured from galvanised sheet steel and are thermally and acoustically insulated with a 50 mm layer of rockwool with a surface liner which prevents the migration of fibres into the airstream.



Technical parameters

Nominal data		
Voltage	230	V
Frequency	50	Hz
Phase	1	~
Input power (P1)	111	W
Current	0,48	A
Max. airflow	0,123	m³/s
R.p.m.	2062	r.p.m.
Min. static back pressure	0	Pa
Capacitor	2	µF
Weight	11,3	kg
Temperature data		
Max. temperature of transported air	70	°C
Max. temperature of transported air when speed-controlled	70	°C
Sound data		
Sound pressure level at 3 m	38,9	dB(A)

Get In Touch

Call: [0845 6880112](tel:08456880112)
 Email: info@adremit.co.uk

Our Address

Puravent, Adremit Limited, Unit 5a, Commercial Yard,
 Settle, North Yorkshire, BD24 9RH



Protection / Classification

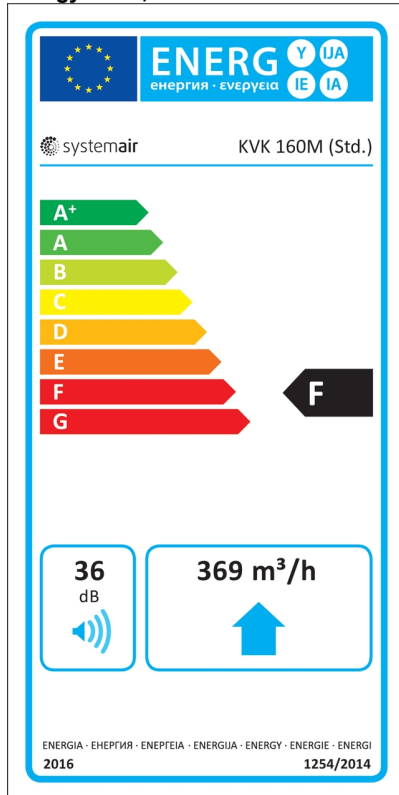
Insulation class	B
Enclosure class, motor	IP44

ErP

Energy class, basic unit	F
Energy class, basic unit option	C
ErP ready	ErP 2016/ErP 2018

Energy class label

Energy class, basic unit



Name: **KVK 160 M INS. CIRC. DUCT FAN** | Item no.: **2433** | Version: **50 Hz**

Document type: **Product card** | Document date: **2019-07-10** | Generated by: **Online catalogue**

2 / 7

Get In Touch



Call: [0845 6880112](tel:08456880112)

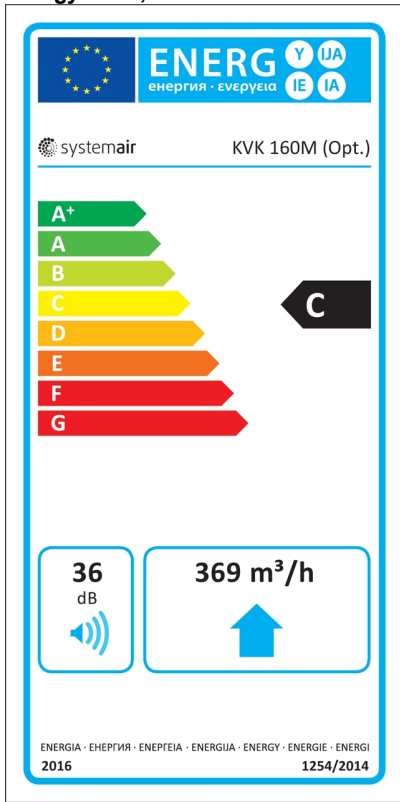


Email: info@adremit.co.uk

Our Address

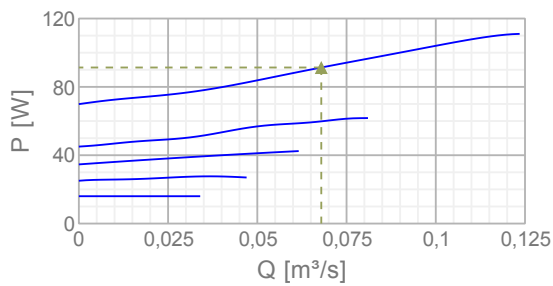
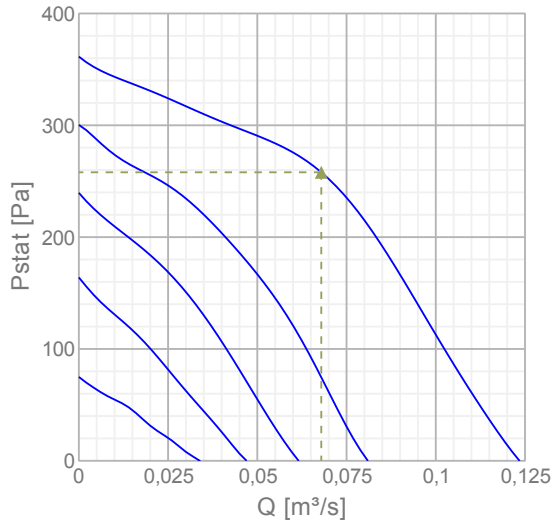
Puravent, Adremit Limited, Unit 5a, Commercial Yard,
Settle, North Yorkshire, BD24 9RH

Energy class, unit with local demand control



Diagrams

Diagrams



Name: **KVK 160 M INS. CIRC. DUCT FAN** | Item no.: **2433** | Version: **50 Hz**

Document type: **Product card** | Document date: **2019-07-10** | Generated by: **Online catalogue**

Get In Touch

Call: [0845 6880112](tel:08456880112)
 Email: info@adremit.co.uk

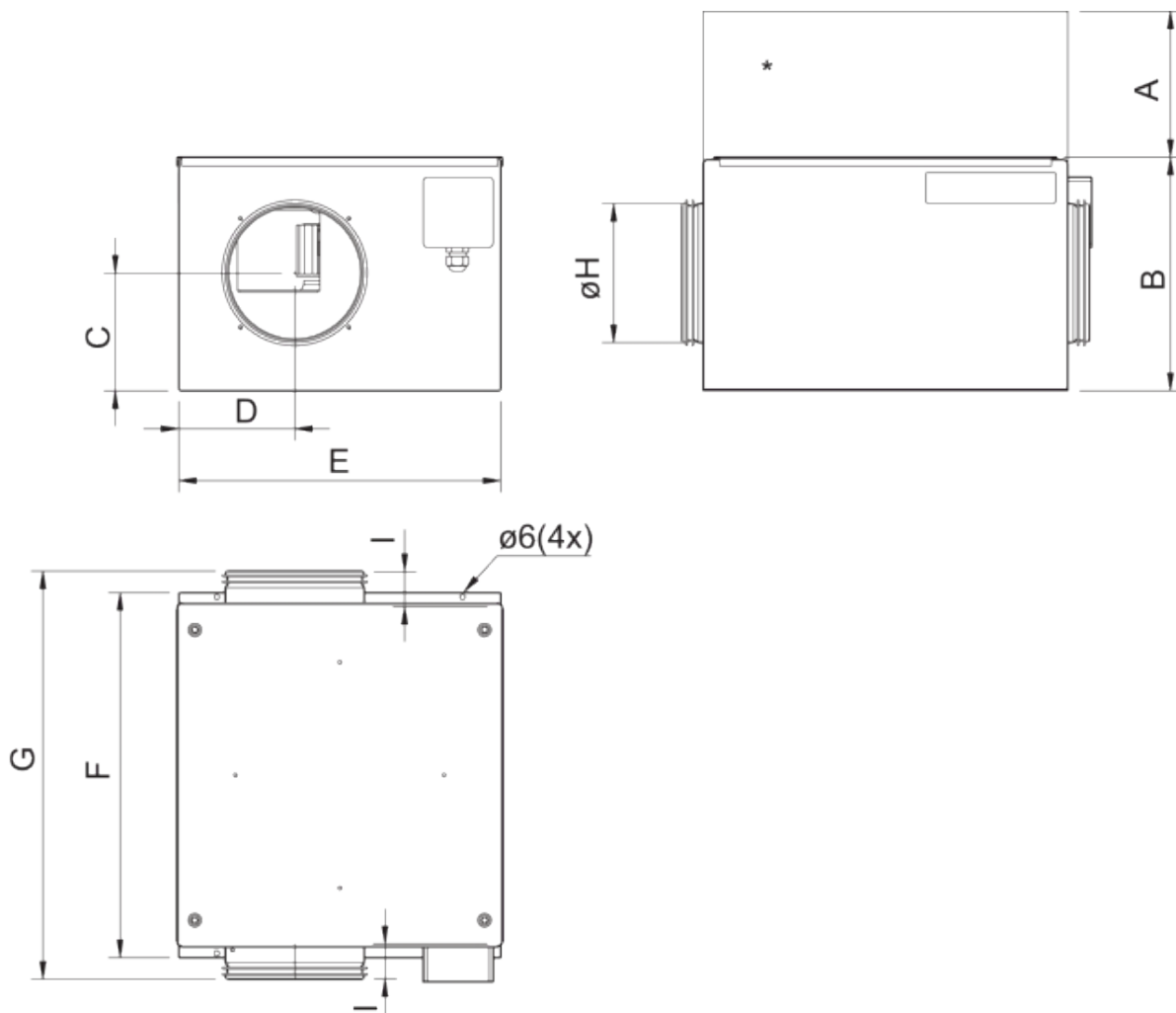
Our Address

Puravent, Adremit Limited, Unit 5a, Commercial Yard,
 Settle, North Yorkshire, BD24 9RH

Max efficiency

Hydraulic data										
▲ Working air flow										0,0679 m ³ /s
▲ Working static pressure										258 Pa
▲ Power										91,3 W
Speed										2444 r.p.m.
Current										0,402 A
SFP										1,34 W/(l/s)
Voltage										230 V
Sound power level		63	125	250	500	1k	2k	4k	8k	Tot
Inlet	dB(A)	39	61	53	48	44	41	38	35	62
Outlet	dB(A)	53	64	64	64	68	65	57	51	72
Surrounding	dB(A)	10	43	38	37	38	27	24	21	46

Dimensions



KVK	A	B	C	D	E	F	G	ØH	I
160	230	266	134	132	367	415	464	160	40

*= Free area

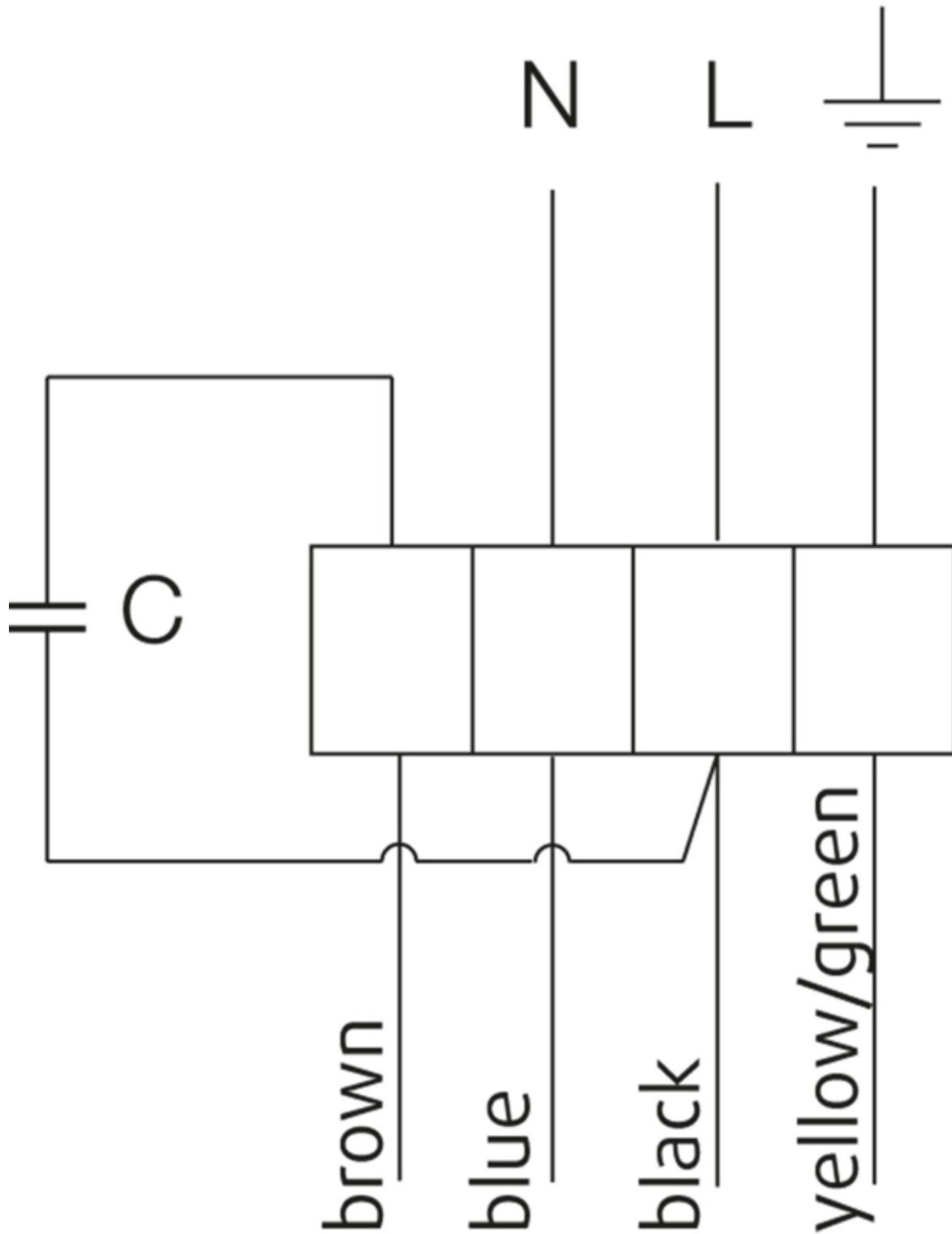
Get In Touch

Call: [0845 6880112](tel:08456880112)
 Email: info@adremit.co.uk

Our Address

Puravent, Adremit Limited, Unit 5a, Commercial Yard,
 Settle, North Yorkshire, BD24 9RH

230V 1~



U1 = blue = blau
U2 = black = schwarz
Z = brown = braun
PE = yellow/green = grün-gelb

Get In Touch



Call: [0845 6880112](tel:08456880112)



Email: info@adremit.co.uk

Our Address

Puravent, Adremit Limited, Unit 5a, Commercial Yard,
Settle, North Yorkshire, BD24 9RH

Accessories


Electric accessories

[RE 1.5 Speed control \(5000\)](#)
[REU 1.5 Speed control \(5004\)](#)
[REE 1 Speed control \(5314\)](#)
[REPT 6 Digital regulator \(5698\)](#)
[RT 0-30 Room Thermostat \(5151\)](#)
[CO2RT-R-D Transmitter \(6993\)](#)
[Presence detector/IR24-P \(6995\)](#)
[RETP 6 Temp/Pressure regulator \(32293\)](#)
[STL 1.5 Speed controller \(84251\)](#)
[REV-3POL/03 ON/OFF \(33978\)](#)

Accessories

[CB 160-1,2 230V/1 Duct heater \(5291\)](#)
[CB 160-2,1 230V/1 Duct heater \(5292\)](#)
[CB 160-2,7 230V/1 Duct heater \(5382\)](#)
[CBM 160-2,1 230V/1 Duct heater \(5482\)](#)
[VBF 160 Water heating battery \(1731\)](#)
[CWK 160-3-2,5 Duct cooler,circ \(30022\)](#)
[VBC 160-2 Water heating batt \(5458\)](#)
[LDC 160-600 Silencer \(5192\)](#)
[LDC 160-900 Silencer \(5193\)](#)
[FFR 160 Filter cassette \(1770\)](#)
[FGR 160 Filter cassette \(1809\)](#)
[FK 160 Fast clamp \(1610\)](#)
[VKK-160 Back draft damper \(1625\)](#)
[IGK-160 Wall Grid \(1632\)](#)
[RSK-160 Back draft damper \(5601\)](#)
[SG 160 Protection guard \(5608\)](#)
[THB 160 Hood w. cover pl. Red \(2034\)](#)
[THB 160 Hood w.cover pl. black \(1764\)](#)
[THS 160 Hood w.cover pl. black \(1839\)](#)
[THS 160 Hood w. cover pl. Red \(2044\)](#)
[VBC 160-3 Water heating batt \(9840\)](#)
[LDC 160-300 Silencer \(53108\)](#)
[CB 160-5,0 400V/2 Duct heater \(5383\)](#)

Documentation

 [202341_Fans_Instructions_CE_A010.pdf \(1,83MB\)](#)

 [Semko Certificate KVK 1116708.pdf \(1,38MB\)](#)

Get In Touch



Call: [0845 6880112](tel:08456880112)



Email: info@adremit.co.uk

Our Address

Puravent, Adremit Limited, Unit 5a, Commercial Yard,
Settle, North Yorkshire, BD24 9RH

Specification text

KVK 160M TW Circular duct fan
DN 160, 230V/50Hz, 1~, sound insulated

Centrifugal circular duct fan designed for easy and direct installation in ducts. Compact design with duct connections on both sides. The casing is manufactured from galvanised sheet steel, thermally and sound insulated with a 50 mm layer of mineral wool, internal surfaces protected by perforated, galvanized steel sheet. The fan unit can be easily removed for cleaning and maintenance.

Forward curved centrifugal impeller made of galvanized sheet steel. Impeller acc. to VDI 2060, balancing quality G 6.3, dynamically balanced in two planes.

Voltage controllable external rotor motor (IP44), maintenance-free, the motor is placed inside the air flow for cooling. Integral thermal contact with automatic reset acc. to EN 60335-2-80. Speed-controlled by voltage reduction via transformer or thyristor. Terminal box on the casing.

For extract and supply air.
Installation in any mounting position.

For indoor installation.

PRODUCT: SYSTEMAIR
TYPE: KVK 160M
Item no. 2433

KVK 160M TW Circular duct fan
DN 160, 230V/50Hz, 1~, sound insulated

Centrifugal circular duct fan designed for easy and direct installation in ducts. Compact design with duct connections on both sides. The casing is manufactured from galvanised sheet steel, thermally and sound insulated with a 50 mm layer of mineral wool, internal surfaces protected by perforated, galvanized steel sheet. The fan unit can be easily removed for cleaning and maintenance.

Forward curved centrifugal impeller made of galvanized sheet steel. Impeller acc. to VDI 2060, balancing quality G 6.3, dynamically balanced in two planes.

Voltage controllable external rotor motor (IP44), maintenance-free, the motor is placed inside the air flow for cooling. Integral thermal contact with automatic reset acc. to EN 60335-2-80. Speed-controlled by voltage reduction via transformer or thyristor. Terminal box on the casing.

For extract and supply air.
Installation in any mounting position.

For indoor installation.

PRODUCT: SYSTEMAIR
TYPE: KVK 160M
Item no. 2433

Get In Touch



Call: [0845 6880112](tel:08456880112)



Email: info@adremit.co.uk

Our Address

Puravent, Adremit Limited, Unit 5a, Commercial Yard,
Settle, North Yorkshire, BD24 9RH