



# KVK 125 INS. CIRC. DUCT FAN

Item no. 2430

Version: 50 Hz

Document type: **Product card**

Document date: **2019-07-10**

Generated by: **Systemair Online Catalogue**



## Description

- Speed-controllable
- Integral thermal contacts
- Low noise level
- Compact construction

The KVK 125-160 models have a single-inlet centrifugal fan with forward-curved blades and a maintenance-free external rotor motor. To protect the motor from overheating the KVK 125-160 has integral thermal contacts with electrical reset. The fans can be installed in any position, and are easy to connect to spiral ducts using FK mounting clamps. The KVK models are manufactured from galvanised sheet steel and are thermally and acoustically insulated with a 50 mm layer of rockwool with a surface liner which prevents the migration of fibres into the airstream.



## Technical parameters

Nominal data		
Voltage	230	V
Frequency	50	Hz
Phase	1	~
Input power (P1)	92,7	W
Current	0,409	A
Max. airflow	0,106	m³/s
R.p.m.	1978	r.p.m.
Min. static back pressure	0	Pa
Capacitor	2	µF
Weight	11	kg
Temperature data		
Max. temperature of transported air	68	°C
Max. temperature of transported air when speed-controlled	68	°C
Sound data		
Sound pressure level at 3 m	38,1	dB(A)

### Get In Touch

Call: [0845 6880112](tel:08456880112)  
 Email: [info@adremit.co.uk](mailto:info@adremit.co.uk)

### Our Address

Puravent, Adremit Limited, Unit 5a, Commercial Yard,  
 Settle, North Yorkshire, BD24 9RH

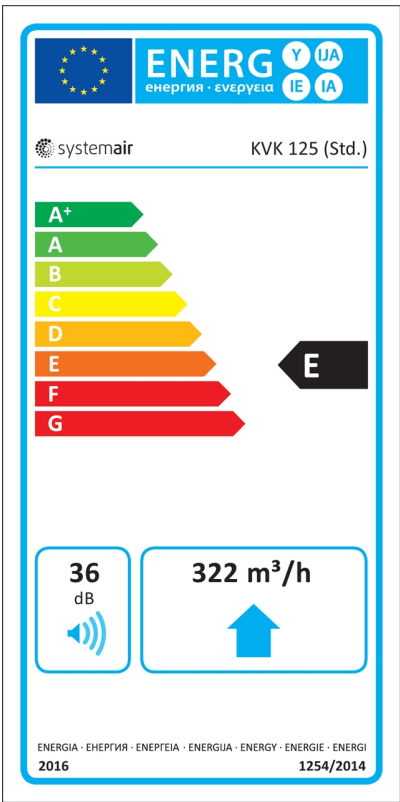




Protection / Classification	
Insulation class	B
Enclosure class, motor	IP44
ErP	
Energy class, basic unit	E
Energy class, basic unit option	C
ErP ready	ErP 2016/ErP 2018

**Energy class label**

**Energy class, basic unit**



**Get In Touch**

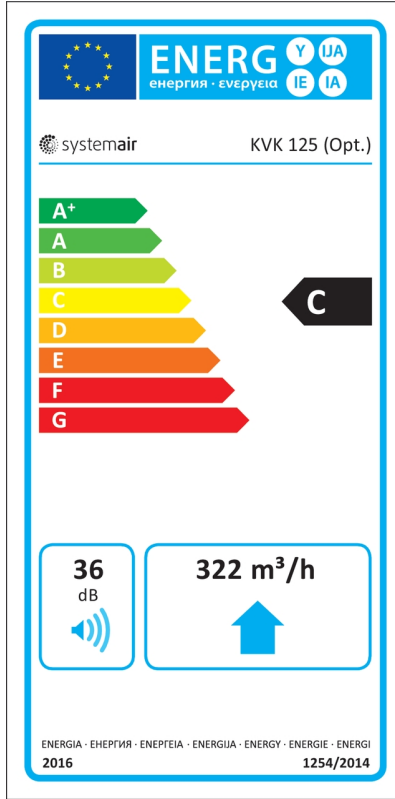
Call: [0845 6880112](tel:08456880112)  
 Email: [info@adremit.co.uk](mailto:info@adremit.co.uk)

**Our Address**

Puravent, Adremit Limited, Unit 5a, Commercial Yard,  
 Settle, North Yorkshire, BD24 9RH

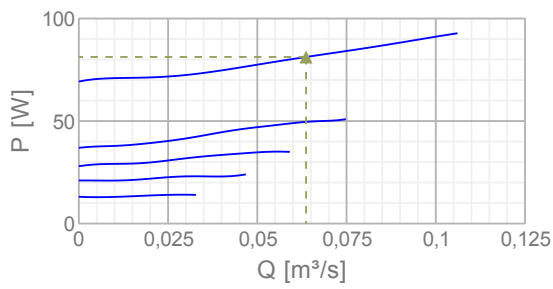
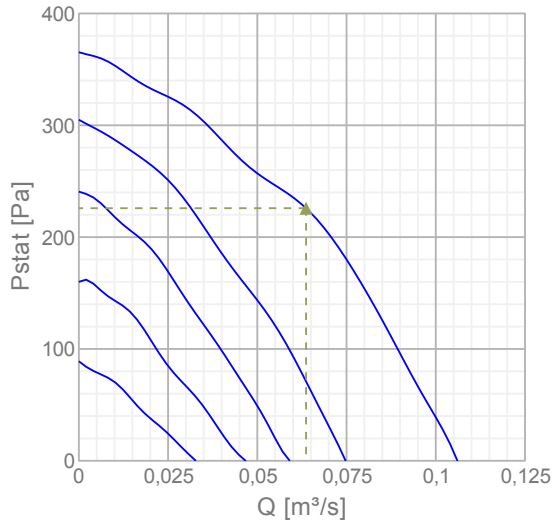


Energy class, unit with local demand control



Diagrams

Diagrams



Name: **KVK 125 INS. CIRC. DUCT FAN** | Item no.: **2430** | Version: **50 Hz**

3 / 6

Document type: **Product card** | Document date: **2019-07-10** | Generated by: **Online catalogue**

Get In Touch

Call: [0845 6880112](tel:08456880112)  
 Email: [info@adremit.co.uk](mailto:info@adremit.co.uk)

Our Address

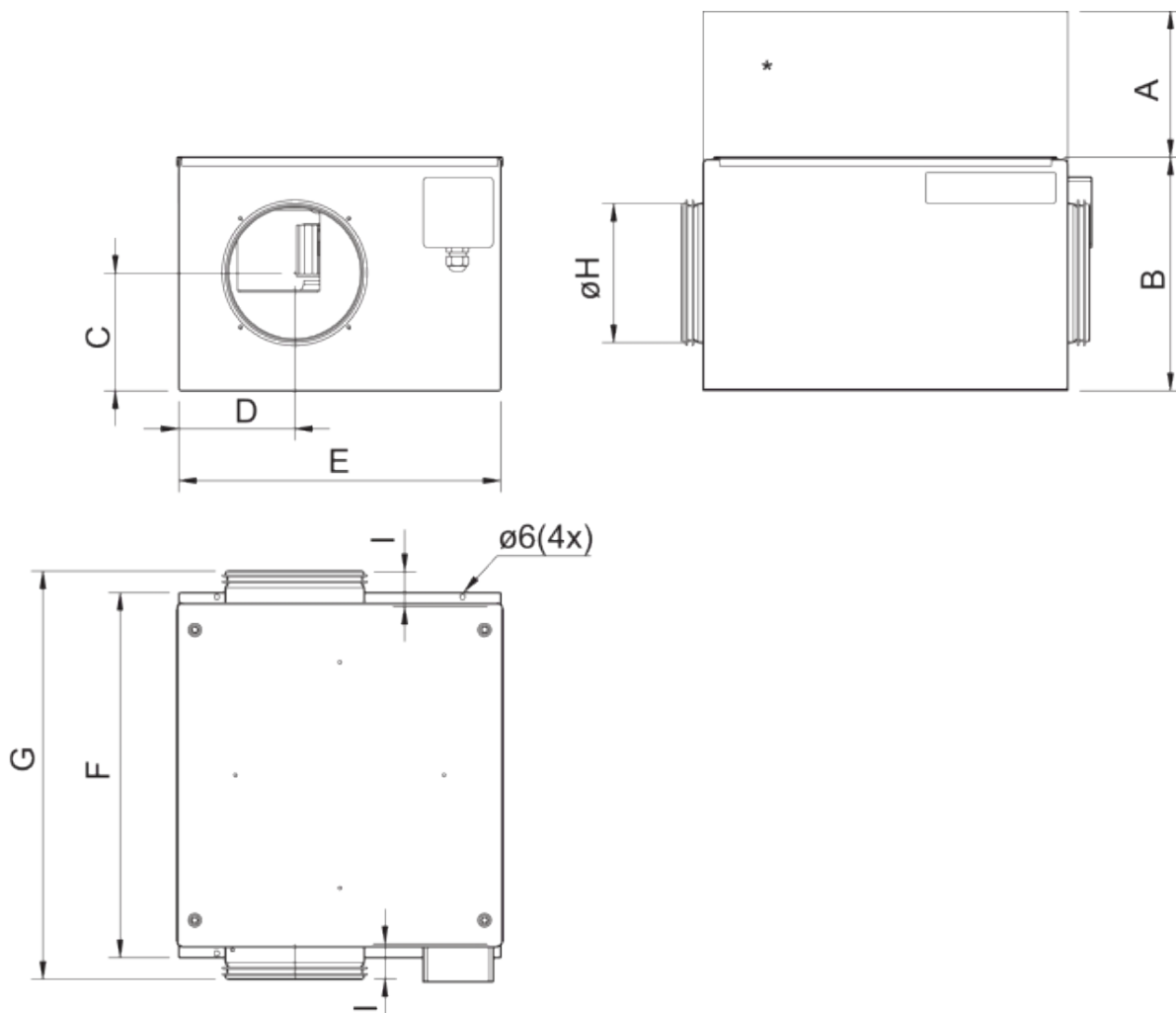
Puravent, Adremit Limited, Unit 5a, Commercial Yard,  
 Settle, North Yorkshire, BD24 9RH



## Max efficiency

Hydraulic data										
▲ Working air flow										0,0637 m <sup>3</sup> /s
▲ Working static pressure										226 Pa
▲ Power										81,3 W
Speed										2310 r.p.m.
Current										0,357 A
SFP										1,28 W/(l/s)
Voltage										230 V
Sound power level		63	125	250	500	1k	2k	4k	8k	Tot
Inlet	dB(A)	37	55	50	45	42	41	36	29	57
Outlet	dB(A)	50	61	58	60	66	62	55	48	70
Surrounding	dB(A)	17	33	40	41	36	36	25	16	45

## Dimensions



KVK	A	B	C	D	E	F	G	ØH	I
125	230	266	151	114	367	415	464	125	40

\*= Free area

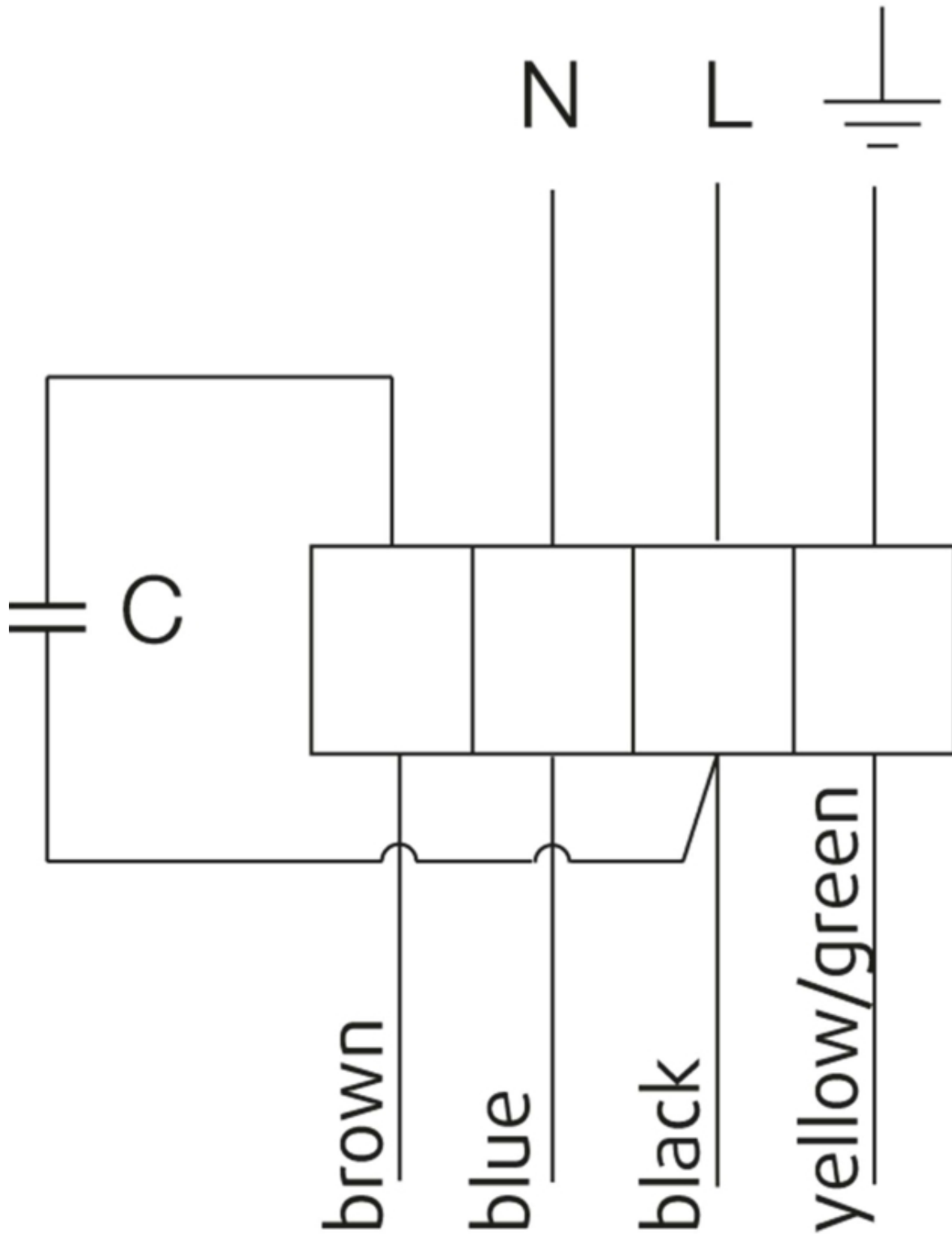
### Get In Touch

Call: [0845 6880112](tel:08456880112)  
 Email: [info@adremit.co.uk](mailto:info@adremit.co.uk)

### Our Address

Puravent, Adremit Limited, Unit 5a, Commercial Yard,  
 Settle, North Yorkshire, BD24 9RH

230V 1~



U1 = blue = blau  
U2 = black = schwarz  
Z = brown = braun  
PE = yellow/green = grün-gelb

Get In Touch

Call: [0845 6880112](tel:08456880112)  
Email: [info@adremit.co.uk](mailto:info@adremit.co.uk)

Our Address

Puravent, Adremit Limited, Unit 5a, Commercial Yard,  
Settle, North Yorkshire, BD24 9RH

## Accessories

### Electric accessories

[RE 1.5 Speed control \(5000\)](#)

[REU 1.5 Speed control \(5004\)](#)

[REE 1 Speed control \(5314\)](#)

[REPT 6 Digital regulator \(5698\)](#)

[RT 0-30 Room Thermostat \(5151\)](#)

[CO2RT-R-D Transmitter \(6993\)](#)

[Presence detector/IR24-P \(6995\)](#)

[STL 1.5 Speed controller \(84251\)](#)

[REV-3POL/03 ON/OFF \(33978\)](#)

[FRQS-E-6A \(37419\)](#)

[FRQ5S-E-6A \(37421\)](#)

### Accessories

[CB 125-0,6 230V/1 Duct heater \(5289\)](#)

[CB 125-1,2 230V/1 Duct heater \(5290\)](#)

[CB 125-1,8 230V/1 Duct heater \(5377\)](#)

[CBM 125-1,2 230V/1 Duct heater \(5480\)](#)

[VBF 125 Water heating battery \(1730\)](#)

[CWK 125-3-2,5 Duct cooler,circ \(30021\)](#)

[VBC 125-2 Water heating batt \(5457\)](#)

[LDC 125-600 Silencer \(5190\)](#)

[LDC 125-900 Silencer \(5191\)](#)

[FFR 125 Filter cassette \(1768\)](#)

[FGR 125 Filter cassette \(1804\)](#)

[FK 125 Fast clamp \(1608\)](#)

[VKK-125 Back draft damper \(1624\)](#)

[IGK-125 Wall Grid \(1631\)](#)

[RSK-125 Back draft damper \(5598\)](#)

[SG 125 Protection guard \(5607\)](#)

[LDC 125-1200 Silencer \(5997\)](#)

[THB 160 Hood w. cover pl. Red \(2034\)](#)

[THB 160 Hood w.cover pl. black \(1764\)](#)

[THS 160 Hood w.cover pl. black \(1839\)](#)

[THS 160 Hood w. cover pl. Red \(2044\)](#)

[VBC 125-3 Water heating batt \(9839\)](#)

[LDC 125-300 Silencer \(53722\)](#)

## Documentation



[202341\\_Fans\\_Instructions\\_CE\\_A010.pdf \(1,83MB\)](#)



[Semko Certificate KVK 1116708.pdf \(1,38MB\)](#)

## Specification text

It's a reliable in operation, maintenance- free, double- sided and soundproofed circular duct fan. The box consists of electroplated steel plate with acoustic insulation and heat insulation made with mineral rock wool with a strength of 50 millimetre, witch should avoid the migration of fibres into the air flow. Furthermore it's a compact construction with a both sided pipe connection. The closure head of the fan is removable and it also has perforated steel plate in the inside. The fan device, which is responsible for cleaning and attendance is very easy to disassemble. KVK 125 can be installed in each fitting position. The fan has a radial impeller with forward- curved impeller vane, which is made out of electroplated steel plate. The actuation is carried out by a maintenance- free, speed- controlled external rotor motor. The winding has built in thermal contacts with automatically reset device. For cooling the motor it is placed inside the air flow. Impeller according to VDI 2060, quality category Q6,3 and dynamically weigh heavy in two levels.

It's a reliable in operation, maintenance- free, double- sided and soundproofed circular duct fan. The box consists of electroplated steel plate with acoustic insulation and heat insulation made with mineral rock wool with a strength of 50 millimetre, witch should avoid the migration of fibres into the air flow. Furthermore it's a compact construction with a both sided pipe connection. The closure head of the fan is removable and it also has perforated steel plate in the inside. The fan device, which is responsible for cleaning and attendance is very easy to disassemble. KVK 125 can be installed in each fitting position. The fan has a radial impeller with forward- curved impeller vane, which is made out of electroplated steel plate. The actuation is carried out by a maintenance- free, speed- controlled external rotor motor. The winding has built in thermal contacts with automatically reset device. For cooling the motor it is placed inside the air flow. Impeller according to VDI 2060, quality category Q6,3 and dynamically weigh heavy in two levels.

Name: **KVK 125 INS. CIRC. DUCT FAN** | Item no.: **2430** | Version: **50 Hz**

Document type: **Product card** | Document date: **2019-07-10** | Generated by: **Online catalogue**

6 / 6

## Get In Touch



Call: [0845 6880112](tel:08456880112)



Email: [info@adremit.co.uk](mailto:info@adremit.co.uk)

## Our Address

Puravent, Adremit Limited, Unit 5a, Commercial Yard,  
Settle, North Yorkshire, BD24 9RH