



KVADRA-375 DIFFUSER

Item no. 6543

Document type: **Product card**
Document date: **2019-07-10**
Generated by: **Systemair Online Catalogue**

Description

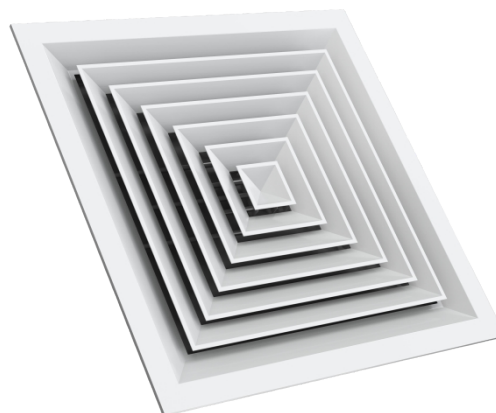
Systemair Kvadra square 4-way ceiling diffuser with connection transition KRC and plenum box PER as accessories.

Function

Kvadra supply- and exhaust diffuser for ceiling installation. The diffuser can be used in offices, shops or similar premises. It can be connected to square ducts or circular ducts via connection transition KRC and to PER plenum box. The diffuser can be dismantled for duct cleaning. Kvadra has a high induction which makes it suitable for cooled air. Maximum temperature difference is dT 12 K.

Design

Kvadra is manufactured from galvanized sheet metal with a white powder-coated finish (RAL 9010) and is available in the following sizes: (square) 150x150, 225x225, 300x300, 450x450, and with KRC (circular) 125, 160, 250, 315 and 400. The connection transition KRC is manufactured from galvanized sheet metal and is equipped with a perforated metal sheet for pressure distribution and is simple to connect.



How to use for exhaust air

This device can be used for exhaust air.

Mounting

Correct adjustment requires a length of straight duct, 4 times the duct diameter in front of the PER plenum box. The distribution unit is connected to the duct with screws or pop rivets. Dismantling of the supply air unit: release the cones by gently pressing and turning the cones simultaneously. Reassemble the unit correspondingly.

When assembling KRC to the Kvadra diffuser, make sure that Kvadra's connection edges fits into the KRC hold down springs. Gentle tap the two parts together so that Kvadra's connection edges bottoms into the hold down springs.

Technical parameters

| Other | |
|--------|--------|
| Weight | 1,6 kg |

Get In Touch

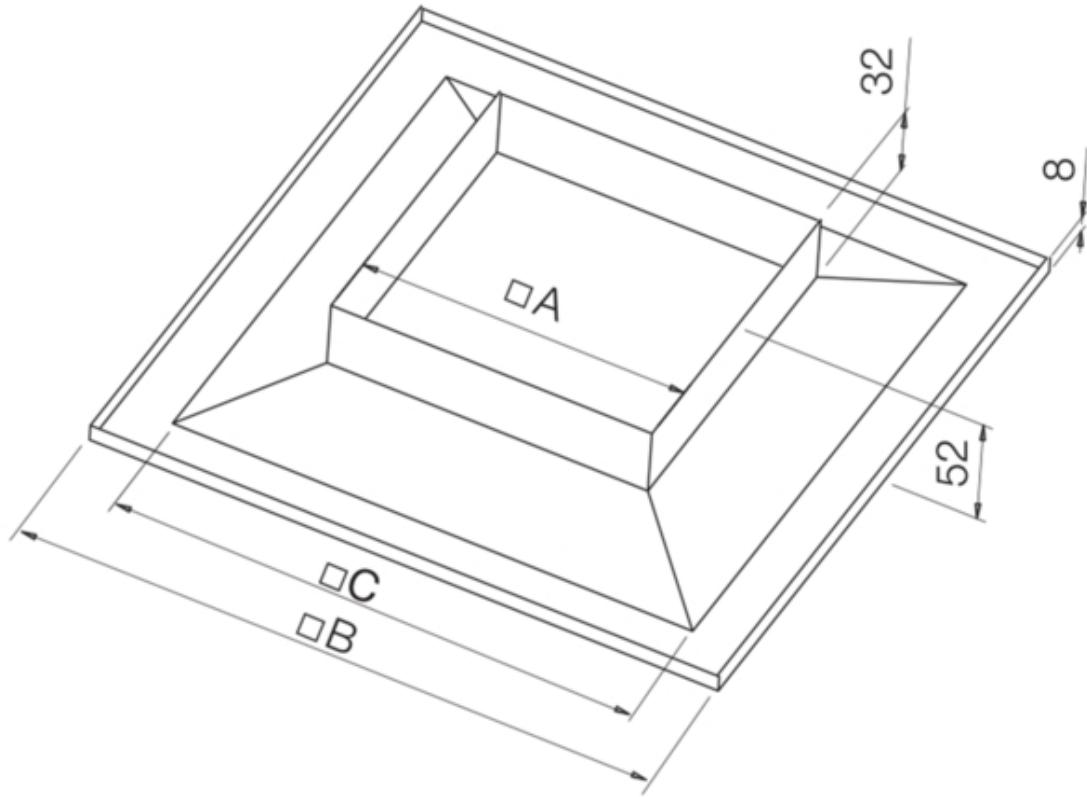
Call: [0845 6880112](tel:08456880112)
 Email: info@adremit.co.uk

Our Address

Puravent, Adremit Limited, Unit 5a, Commercial Yard,
Settle, North Yorkshire, BD24 9RH



Dimensions



| Kvadra | □A | □B | □C |
|--------|-----|-----|-----|
| 150 | 150 | 294 | 210 |
| 225 | 225 | 369 | 285 |
| 300 | 300 | 444 | 360 |
| 375 | 375 | 519 | 435 |
| 450 | 450 | 594 | 510 |

Accessories

Accessories

[KRC-375 Transition Kvadra \(6533\)](#)

[Kvadra-R1 375 Damper \(42304\)](#)

[THOR-250-315 \(66762\)](#)

Get In Touch



Call: [0845 6880112](tel:08456880112)



Email: info@adremit.co.uk

Our Address

Puravent, Adremit Limited, Unit 5a, Commercial Yard,
Settle, North Yorkshire, BD24 9RH

Documentation

Diagram

The diagram shows
Air volume (l/s and m³/h), total pressure (Pa), throw (l0,2)
and sound pressure level [dB(A)].

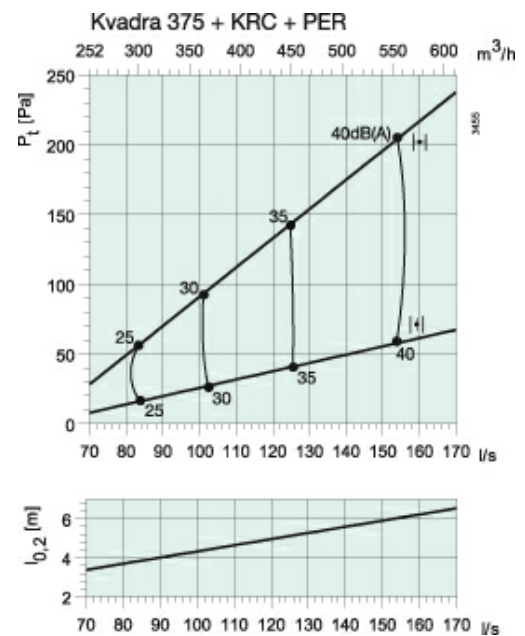
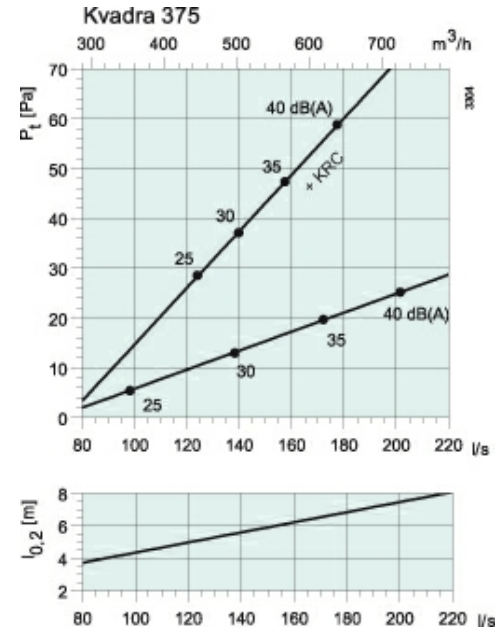
Sound attenuation, ΔL (dB)

| | Mid-frequency band, Hz | | | | | | | |
|------------------|------------------------|-----|-----|-----|----|----|----|----|
| | 63 | 125 | 250 | 500 | 1k | 2k | 4k | 8k |
| Kvadra-150 | 21 | 17 | 12 | 6 | -1 | 2 | 2 | 2 |
| Kvadra-225 | 19 | 14 | 10 | 4 | -1 | 2 | 2 | 2 |
| Kvadra-300 | 21 | 11 | 7 | 2 | 0 | 1 | 2 | 2 |
| Kvadra-375 | 16 | 10 | 6 | 1 | 0 | 1 | 2 | 2 |
| Kvadra-450 | 14 | 8 | 3 | 1 | 0 | 1 | 2 | 2 |
| KRC + PER | | | | | | | | |
| Kvadra-150 | 22 | 18 | 15 | 18 | 11 | 13 | 10 | 15 |
| Kvadra-225 | 24 | 19 | 15 | 16 | 11 | 12 | 11 | 12 |
| Kvadra-300 | 18 | 12 | 15 | 15 | 10 | 10 | 12 | 11 |
| Kvadra-375 | 14 | 12 | 10 | 12 | 10 | 8 | 10 | 11 |
| Kvadra-450 | 15 | 12 | 13 | 12 | 7 | 7 | 8 | 10 |

Sound power level, Lw

Lw(dB) = LpA + Kok (LpA = diagram Kok = table)
correction factor Kok

| | correction factor Kok | | | | | | | |
|------------------|-----------------------|-----|-----|-----|-----|-----|-----|-----|
| | 63 | 125 | 250 | 500 | 1k | 2k | 4k | 8k |
| Kvadra-150 | 16 | 6 | 5 | 2 | -2 | -9 | -20 | -26 |
| Kvadra-225 | 15 | 9 | 8 | 2 | -5 | -11 | -22 | -26 |
| Kvadra-300 | 9 | 3 | 9 | 1 | -4 | -10 | -19 | -23 |
| Kvadra-375 | 10 | 9 | 9 | 1 | -6 | -15 | -26 | -27 |
| Kvadra-450 | 17 | 8 | 11 | -4 | -10 | -19 | -25 | -24 |
| KRC | | | | | | | | |
| Kvadra-150 | 11 | -1 | 2 | 4 | -1 | -9 | -19 | -24 |
| Kvadra-225 | 16 | 4 | 4 | 2 | -2 | -6 | -12 | -14 |
| Kvadra-300 | 11 | 3 | 6 | 0 | -1 | -5 | -19 | -20 |
| Kvadra-375 | 7 | 9 | 7 | 0 | -2 | -6 | -22 | -23 |
| Kvadra-450 | 12 | 7 | 9 | -1 | -4 | -8 | -25 | -25 |
| KRC + PER | | | | | | | | |
| Kvadra-150 | 12 | 5 | 7 | 1 | -1 | -9 | -18 | -22 |
| Kvadra-225 | 11 | 6 | 7 | 1 | -1 | -11 | -19 | -17 |
| Kvadra-300 | 12 | 8 | 4 | 0 | -1 | -7 | -12 | -12 |
| Kvadra-375 | 16 | 9 | 3 | 0 | -1 | -7 | -14 | -18 |
| Kvadra-450 | 16 | 8 | 4 | 0 | -1 | -11 | -18 | -25 |
| Tolerance | ±6 | ±3 | ±2 | ±2 | ±2 | ±2 | ±3 | ±4 |



Get In Touch

Call: [0845 6880112](tel:08456880112)
Email: info@adremit.co.uk

Our Address

Puravent, Adremit Limited, Unit 5a, Commercial Yard,
Settle, North Yorkshire, BD24 9RH