



KE 50-25-4 RECTANGULAR FAN**

Item no. 27767

Version: 50 Hz

Document type: **Product card**

Document date: **2019-07-16**

Generated by: **Systemair Online Catalogue**

Description

- Swing-out
- Speed-controllable
- Integral thermal contacts
- Can be installed in any position
- Maintenance-free and reliable

The KE models have impellers with forward-curved blades and external rotor motors. The motor and impeller are mounted on the access cover to facilitate easy maintenance. The casing is manufactured from galvanised sheet steel. To protect the motor from overheating the fans have integral thermal contacts with external leads for connection to a motor protection device. The fans can be installed in any position and are easy to connect using the DS flexible connections. The KE fans have a pre-wired, integral terminal box.



Technical parameters

Nominal data		
Voltage	230	V
Frequency	50	Hz
Phase	1	~
Input power (P1)	532	W
Current	2,51	A
Max. airflow	0,479	m³/s
R.p.m.	1298	r.p.m.
Capacitor	8	µF
Weight	18,8	kg
Temperature data		
Max. temperature of transported air	70	°C
Max. temperature of transported air when speed-controlled	69,1	°C
Sound data		
Sound pressure level at 3 m	53,7	dB(A)
Protection / Classification		
Insulation class	F	
Enclosure class, motor	IP54	

Get In Touch

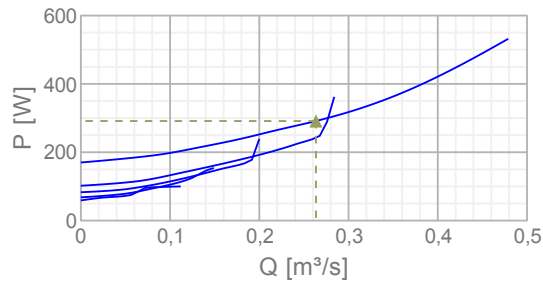
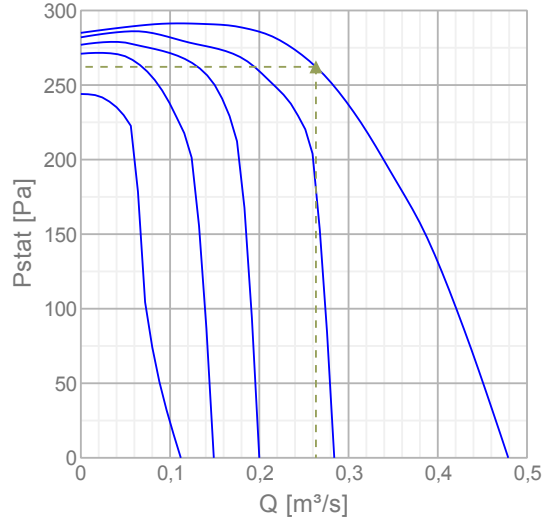
Call: [0845 6880112](tel:08456880112)
 Email: info@adremit.co.uk

Our Address

Puravent, Adremit Limited, Unit 5a, Commercial Yard,
 Settle, North Yorkshire, BD24 9RH

Diagrams

Diagrams



Max efficiency

Hydraulic data										
▲ Working air flow										0,263 m³/s
▲ Working static pressure										262 Pa
▲ Power										291 W
Speed										1426 r.p.m.
Current										1,45 A
SFP										1,11 W/(l/s)
Voltage										230 V
Sound power level		63	125	250	500	1k	2k	4k	8k	Tot
Inlet	dB(A)	62	69	66	59	63	64	62	59	73
Outlet	dB(A)	56	64	66	68	73	70	68	64	77
Surrounding	dB(A)	24	45	52	56	55	51	46	50	61

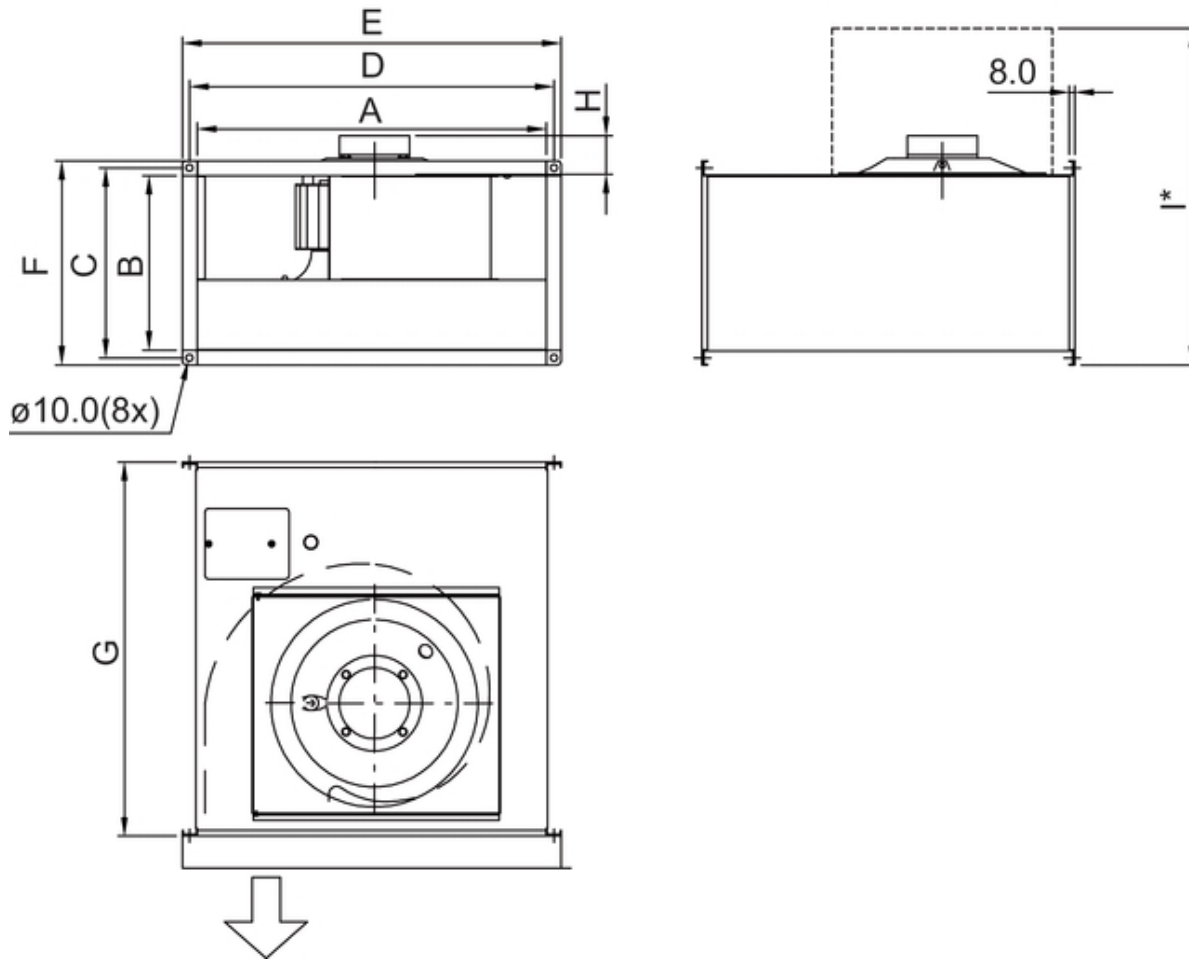
Get In Touch

Call: [0845 6880112](tel:08456880112)
 Email: info@adremit.co.uk

Our Address

Puravent, Adremit Limited, Unit 5a, Commercial Yard,
 Settle, North Yorkshire, BD24 9RH

Dimensions



	A	B	C	D	E	F	G	H	I*
KE 40-20	398	198	220	420	440	240	502	32	530
KE 50-25	498	248	270	520	540	290	532	34	610
KE 50-30	498	298	320	520	540	340	562	34	695
KE 60-30	598	298	320	620	640	340	642	47	715
KE 60-35	598	348	370	620	640	390	717	50	805

I* = Dimension with fully open hatch.

Get In Touch



Call: [0845 6880112](tel:08456880112)

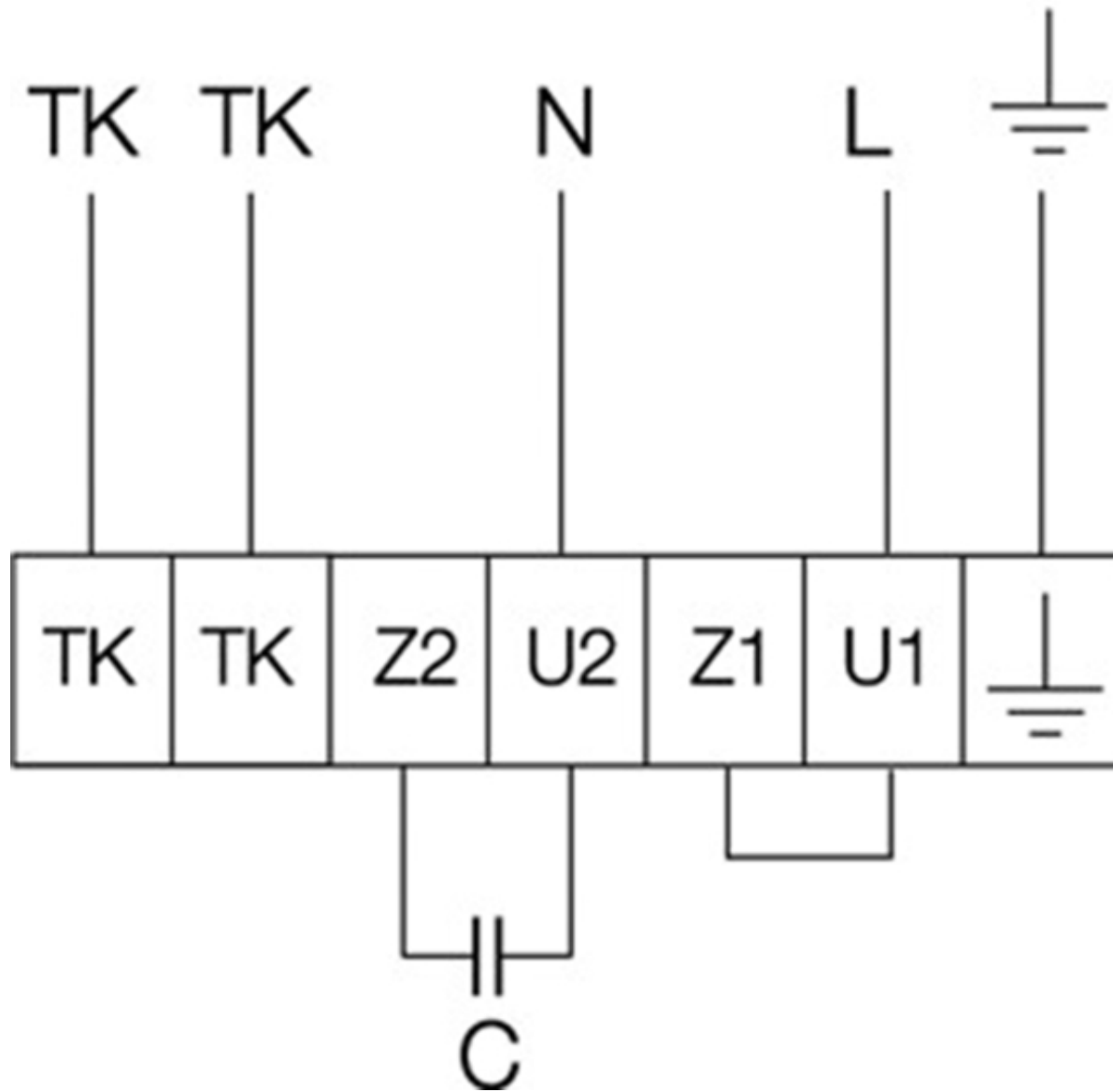


Email: info@adremit.co.uk

Our Address

Puravent, Adremit Limited, Unit 5a, Commercial Yard,
Settle, North Yorkshire, BD24 9RH

230V 1~



Accessories

Electric accessories

- [REU 3 Speed control \(5005\)](#)
- [RTRE 3 Speed control \(5009\)](#)
- [REE 4 Speed control \(5317\)](#)
- [REPT 6 Digital regulator \(5698\)](#)
- [RT 0-30 Room Thermostat \(5151\)](#)
- [S-ET 10 Motor Protection \(5154\)](#)
- [S-ET 10E Motor Protection \(5155\)](#)
- [CO2RT-R-D Transmitter \(6993\)](#)
- [Presence detector/IR24-P \(6995\)](#)
- [RETP 6 Temp/Pressure regulator \(32293\)](#)
- [STL 3 Speed controller \(84261\)](#)
- [REV-5POL/05 ON/OFF \(33979\)](#)
- [FRQS-E-6A \(37419\)](#)
- [FRQ5S-E-6A \(37421\)](#)
- [DTV500A \(96807\)](#)

Get In Touch

 **Call:** [0845 6880112](tel:08456880112)
 **Email:** info@adremit.co.uk

Our Address

Puravent, Adremit Limited, Unit 5a, Commercial Yard,
 Settle, North Yorkshire, BD24 9RH

Accessories

[RBM 50-25/15 400V/3 Duct heater \(5451\)](#)
[PGK 50-25-3-2,0 Duct cooler \(6606\)](#)
[VBR 50-25-2 Water heating batt \(5464\)](#)
[VBR 50-25-4 Water heating batt \(5472\)](#)
[LDR 50-25 Silencer \(5070\)](#)
[FFK 50-25 Filter cassette rect \(1752\)](#)
[DS 50-25 Flexible connection \(1542\)](#)
[GFL 50-25 Counter flange \(2706\)](#)
[VK-50-25 Louvre shutter \(5647\)](#)
[SRK 50-25 Class 3 Damper \(7021\)](#)
[DXRE 50-25-3-2,5 Duct cooler \(7952\)](#)
[RB 50-25/15-1 400V/3 Duct heat \(9629\)](#)
[RB 50-25/22-2 400V/3 Duct heat \(9633\)](#)
[RKT-SYS-500x250-S \(43630\)](#)
[RK-SYS-500x250-R \(43644\)](#)
[RK-SYS-500x250-S \(43653\)](#)

Documentation



132780_Fans_Instructions_Outside_EU_A002.pdf (1 006,63kB)

Specification text

Rectangular duct fan for easy and direct installation in ducts. Galvanized sheet steel housing. Service cover. The fan unit is mounted on the service cover for easy cleaning and maintenance. Free-running, forward curved circular impeller made of galvanized sheet steel. Impeller acc. to VDI 2060, balancing quality G 6.3, dynamically balanced in two planes. Voltage controllable external rotor motor (IP44), maintenance-free, the motor is placed inside the air flow for cooling. Integral thermal contacts acc. to EN 60335-2-80 with leads to a motor protection device. Speed-controlled by voltage reduction via transformer or thyristor. For extract and supply air. Installation in any mounting position. For indoor installation.

Get In Touch



Call: [0845 6880112](tel:08456880112)



Email: info@adremit.co.uk

Our Address

Puravent, Adremit Limited, Unit 5a, Commercial Yard,
Settle, North Yorkshire, BD24 9RH