



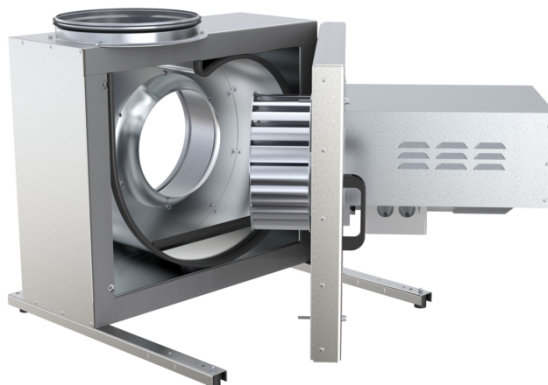
KBT 225EC THERMO FAN

Item no. 77222

Document type: **Product card**
 Document date: **2019-07-16**
 Generated by: **Systemair Online Catalogue**

Description

- EC-motors, high level of efficiency
- 100% speed controllable
- Integrated motor protection
- Low noise level
- Max temperature of transported air 120°C
- Weather protection for the motor is standard
- Drain plug for liquids that accumulate in the casing is standard



EC technology is intelligent technology; using integral electronic control which eliminates the slip losses in the motor and ensures that the motor always runs at optimal load and guarantees that the proportion of energy utilized effectively is many times higher and the energy usage considerably lower compared with AC motors.

EC fans are notable for their economical use of energy and excellent ease of control.

They can be varied in speed to match the airflow demand, and operate at high efficiency levels. For the same air volume, they consume distinctly less energy than AC fan drives.

Another special feature of EC fans is their energy-saving potential not only at full load, but especially at part-load. When operating at part-load, the energy used is much lower than with an asynchronous motor of equivalent output. Reduced energy usage guarantees a drop in operating costs.

The power electronics are integrated in the motor housing. All models have one potential-free terminal for error message. All motors are suitable to be used for 50/60Hz. The input voltage for single phase units can vary between 200 and 277V, for three phase units between 380 and 480V. Speed control by a 0-10V signal. Every motor has an output voltage of 10V and 20V for an external potentiometer or sensor.

The KBT-EC fans have impellers manufactured from galvanized sheet steel with forward-curved blades. The casing is manufactured from double-skinned galvanized sheet steel and is insulated with 50 mm mineral wool.

The KBT-EC fans have a swing-out door for easy inspection and service. The fan is isolated from the casing via connectors and anti-vibration dampers are incorporated into the base frame.

Technical parameters

Nominal data		
Voltage	400	V
Frequency	50	Hz
Phase	3	~
Input power (P1)	794	W
Current	1,36	A
Max. airflow	0,723	m³/s
R.p.m.	1387	r.p.m.
Weight	38	kg
Temperature data		
Max. temperature of transported air	120	°C
Protection / Classification		
Insulation class	B	
Enclosure class, motor	IP55	

Get In Touch

Call: [0845 6880112](tel:08456880112)
 Email: info@adremit.co.uk

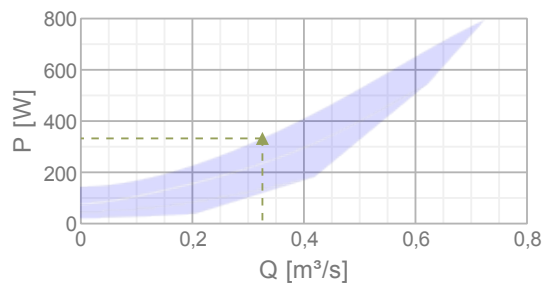
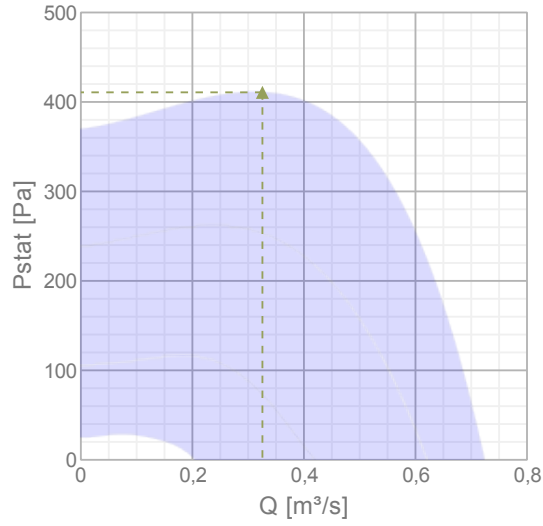
Our Address

Puravent, Adremit Limited, Unit 5a, Commercial Yard,
 Settle, North Yorkshire, BD24 9RH



Diagrams

Diagrams



Max efficiency

Hydraulic data	
▲ Working air flow	0,326 m³/s
▲ Working static pressure	411 Pa
▲ Power	332 W
Speed	1515 r.p.m.
Current	0,641 A
SFP	1,02 W/(l/s)
Voltage	400 V

Name: **KBT 225EC THERMO FAN** | Item no.: **77222**

Document type: **Product card** | Document date: **2019-07-16** | Generated by: **Online catalogue**

2 / 4

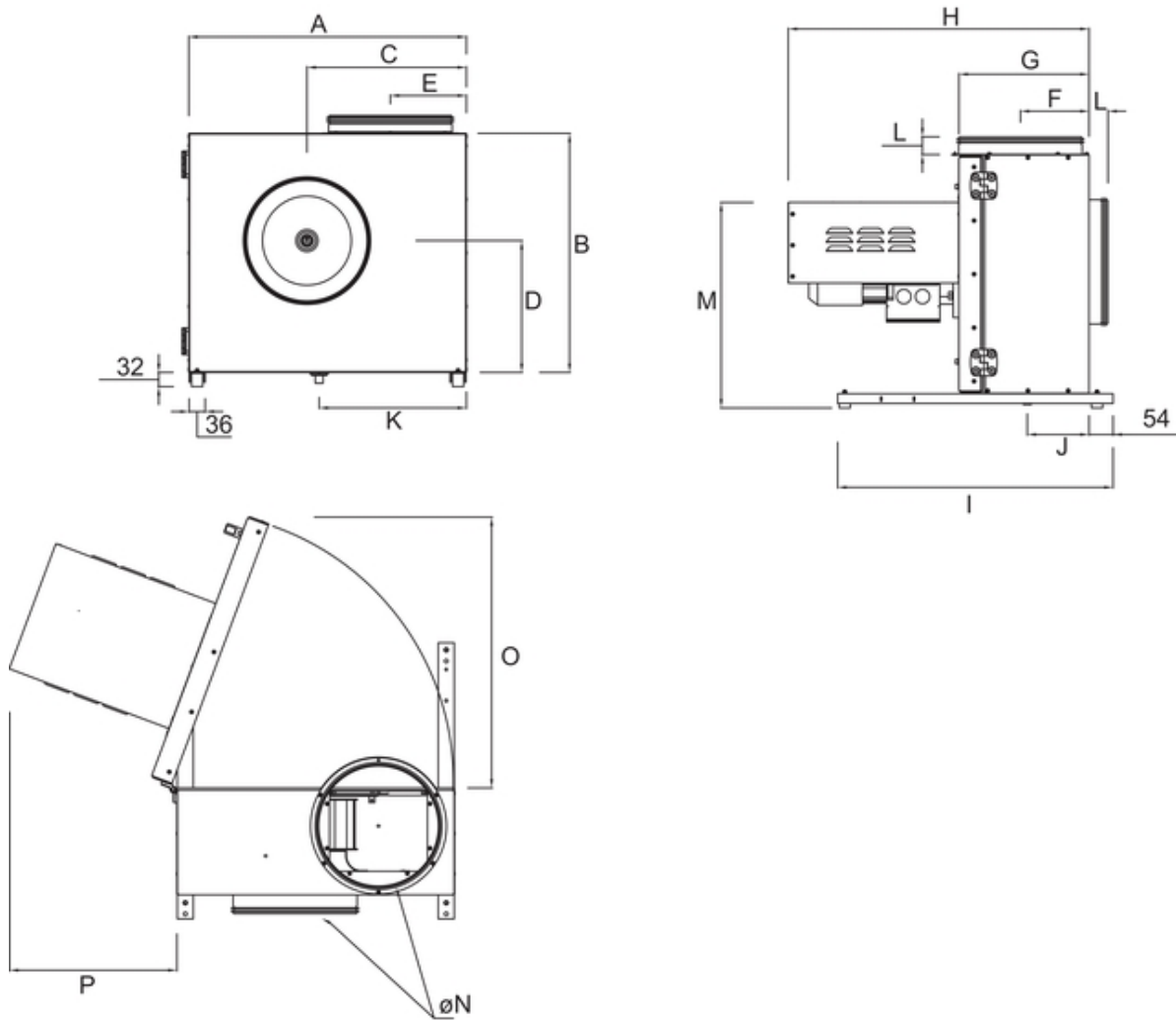
Get In Touch

☎ Call: [0845 6880112](tel:08456880112)
✉ Email: info@adremit.co.uk

Our Address

Puravent, Adremit Limited, Unit 5a, Commercial Yard,
Settle, North Yorkshire, BD24 9RH

Dimensions



	A	B	C	D	E	F	G	H	I	J	K	L	M	N	O	P
KBT 160	437	384	249	212	128	100	209	473	470	100	227	43	345	160	437	320
KBT 180	470	412	272	224	134	105	218	483	470	95	244	43	366	180	470	320
KBT 200	510	445	293	250	143	115	233	617	470	113	273	43	392	200	510	440
KBT 225	522	455	301	256	147	121	251	635	620	121	282	43	412	225	522	440
KBT 250	576	500	333	280	161	140	272	656	620	139	305	43	436	250	576	440
KBT 280	625	537	359	296	171	155	293	677	620	139	331	43	462	280	625	440

Name: **KBT 225EC THERMO FAN** | Item no.: **77222**

Document type: **Product card** | Document date: **2019-07-16** | Generated by: **Online catalogue**

3 / 4

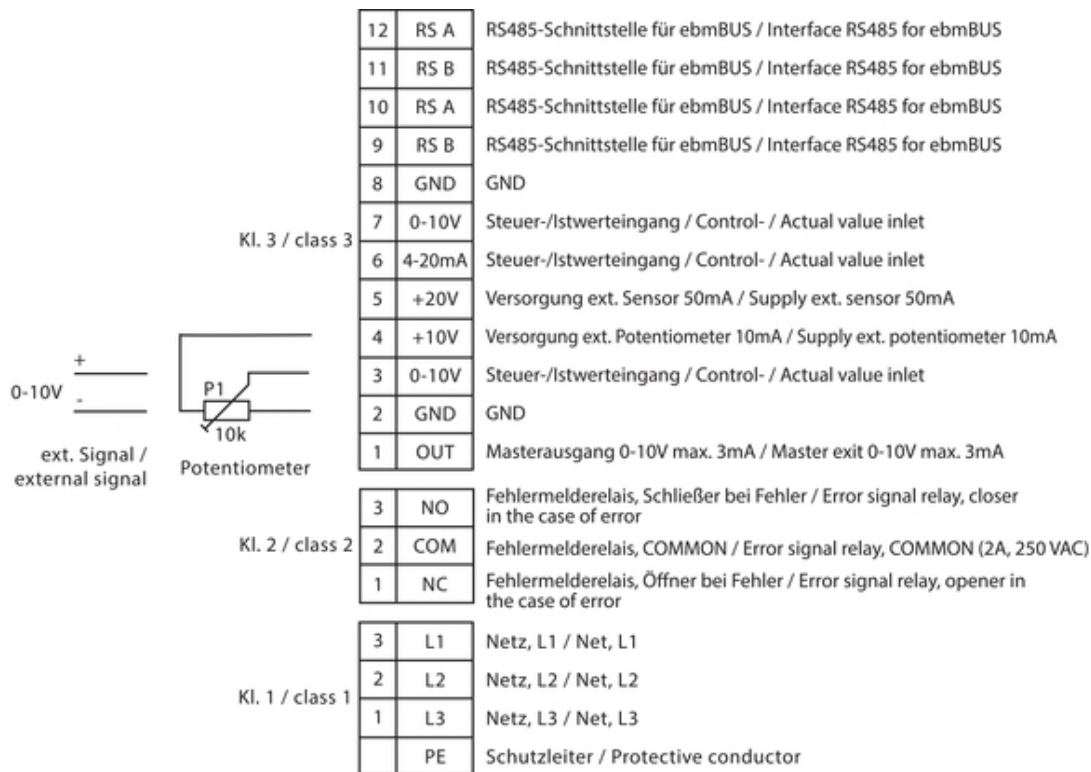
Get In Touch

Call: [0845 6880112](tel:08456880112)
 Email: info@adremit.co.uk

Our Address

Puravent, Adremit Limited, Unit 5a, Commercial Yard,
 Settle, North Yorkshire, BD24 9RH

Wiring



Art.-Nr.: 305332

Accessories

Electric accessories

[RT 0-30 Room Thermostat \(5151\)](#)
[CO2RT-R-D Transmitter \(6993\)](#)
[Presence detector/IR24-P \(6995\)](#)
[MTV-1/010 Controller 0..10V+ \(30650\)](#)
[MTP 10, 10K, Speed control \(32731\)](#)
[EC-Vent Room Unit \(3018\)](#)
[EC-Vent control board \(3115\)](#)
[MTP 20, on/off, 3-step \(310220\)](#)
[REV-5POL/05 EC,3~,REV-switch \(35757\)](#)
[EC-Basic-H humidity \(24807\)](#)
[EC-Basic-T temperature \(24805\)](#)
[EC-Basic-U universal 0-10V \(24806\)](#)
[EC-Basic-CO2 and temperature \(24808\)](#)
[CXE/AVC Modbus \(37256\)](#)
[S-5EC/FRQ \(76738\)](#)

Accessories

[ASF 225/KB Flex. connection \(2715\)](#)
[KBT 225/250/280 Wall bracket \(182813\)](#)

Documentation

- [202341_Fans_Instructions_CE_A010.pdf \(1,83MB\)](#)
[EC-fans_Operation_and_maintenance_instr_206268_CE_\(A022\).pdf \(2,88MB\)](#)

Get In Touch

Call: 0845 6880112
Email: info@adremit.co.uk

Our Address

Puravent, Adremit Limited, Unit 5a, Commercial Yard, Settle, North Yorkshire, BD24 9RH