



KBR 355E4/K THERMO FAN

Item no. 5978

Document type: **Product card**

Document date: **2019-07-16**

Generated by: **Systemair Online Catalogue**

Description

- Max temperature of transported air 120°C
- Speed-controllable(except models 280D2 & 280D2-4)
- Integral thermal contacts
- Low sound level

The KBR fans have impellers manufactured from aluminum with backward-curved blades and external rotor motors. The KBR casing is manufactured from doubleskinned galvanised sheet steel and is insulated with 50 mm mineral wool.

The KBR fans have a swing-out door for easy inspection and service. The direction of the door opening can easily be changed from left to right at site. The fan is isolated from the casing via connectors and anti-vibration dampers are incorporated into the base frame.

To protect the motors from overheating the KBR fans have integral thermal contacts(KBR 280D2 & 280D2-4 with PTC) with external leads for connection to a motor protection device.



Technical parameters

Nominal data	
Voltage	230 V
Frequency	50 Hz
Phase	1 ~
Input power (P1)	319 W
Current	2,1 A
Max. airflow	0,778 m³/s
R.p.m.	1330 r.p.m.
Weight	66 kg
Temperature data	
Max. temperature of transported air	120 °C
Sound data	
Sound pressure level at 4 m	41 dB(A)
Sound pressure level at 10 m	33 dB(A)
Protection / Classification	
Insulation class	F
Enclosure class, motor	IP54
Default group	
Starting current	4,9 A
Capacitor	12 µF

Get In Touch

Call: [0845 6880112](tel:08456880112)
 Email: info@adremit.co.uk

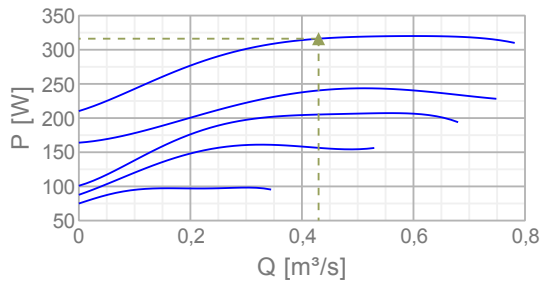
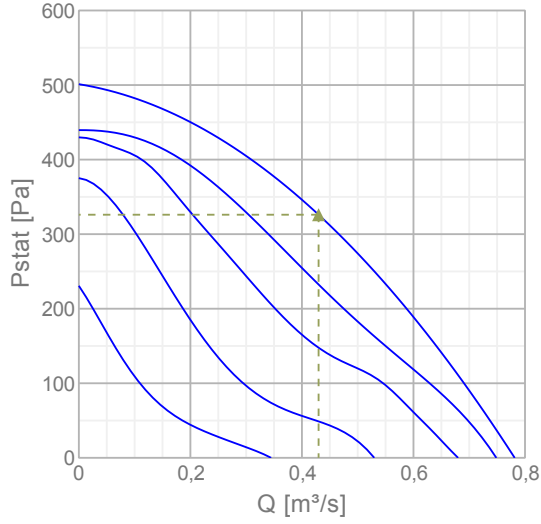
Our Address

Puravent, Adremit Limited, Unit 5a, Commercial Yard,
 Settle, North Yorkshire, BD24 9RH



Diagrams



Diagrams



Max efficiency

Hydraulic data	
▲ Working air flow	0,43 m ³ /s
▲ Working static pressure	326 Pa
▲ Power	316 W
Speed	1410 r.p.m.
Current	1,4 A
SFP	0,735 W/(l/s)
Voltage	230 V

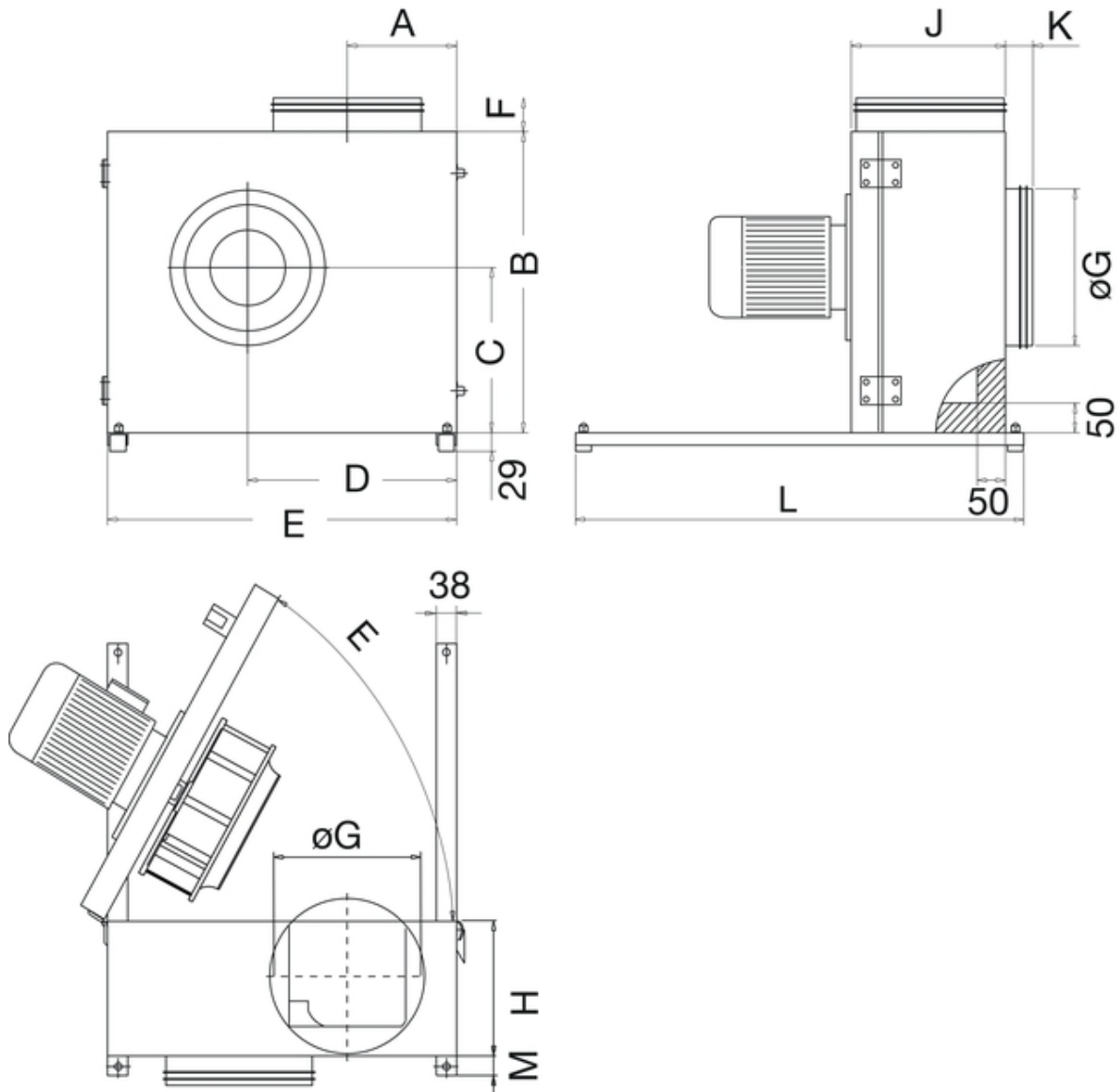
Get In Touch

 Call: [0845 6880112](tel:08456880112)
 Email: info@adremit.co.uk

Our Address

Puravent, Adremit Limited, Unit 5a, Commercial Yard,
Settle, North Yorkshire, BD24 9RH

Dimensions



KBR	A	B	C	D	E	F	øG	H	J	K	L	M
355	206,7	655	372	451	770	125	355	273	331	70	770	55

Name: **KBR 355E4/K THERMO FAN** | Item no.: **5978**

Document type: **Product card** | Document date: **2019-07-16** | Generated by: **Online catalogue**

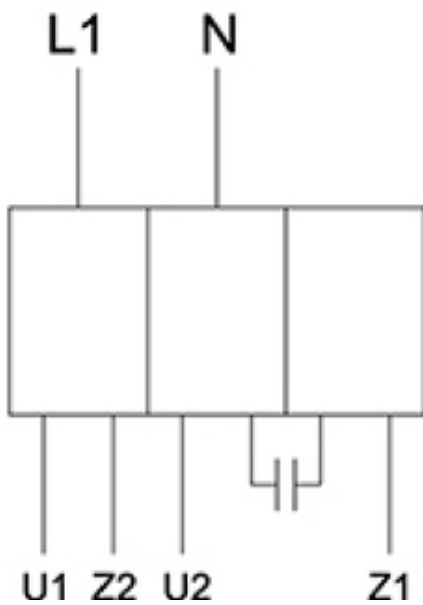
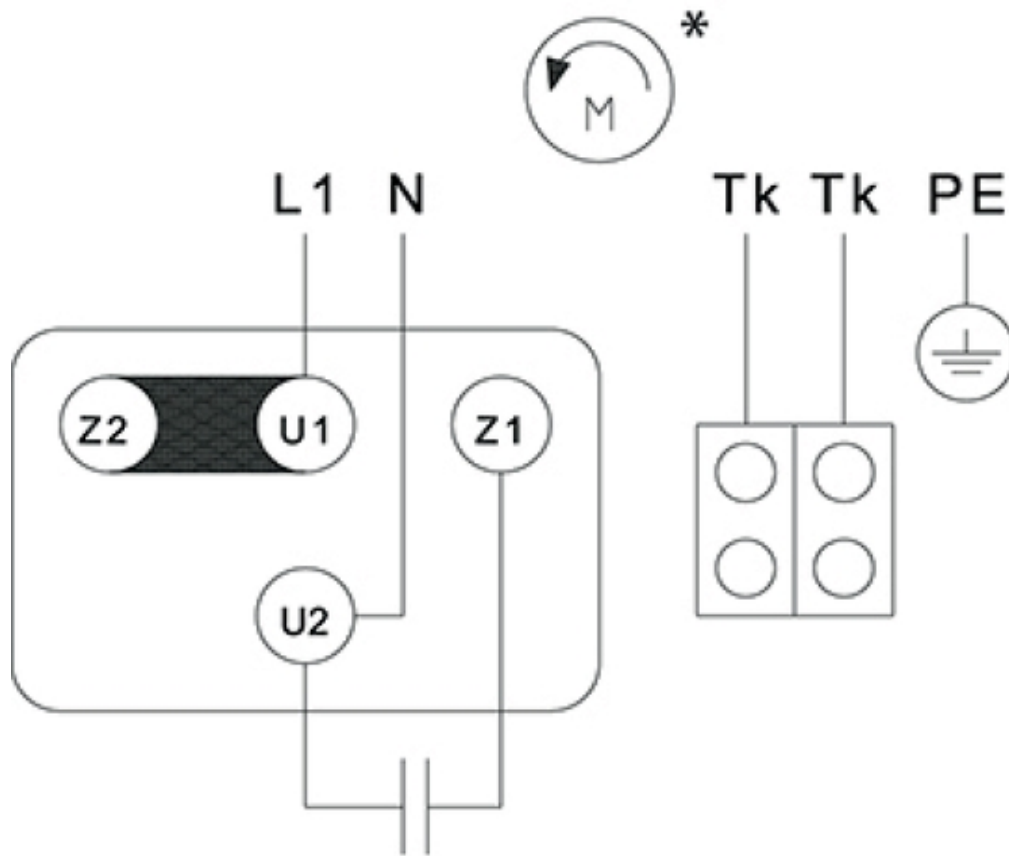
Get In Touch

Call: [0845 6880112](tel:08456880112)
 Email: info@adremit.co.uk

Our Address

Puravent, Adremit Limited, Unit 5a, Commercial Yard,
 Settle, North Yorkshire, BD24 9RH

Wiring



(*) motor shaft rotation seen from inlet of the fan.

cir-dia_301736 STB IEC 071B51Ph4p0,3kW_linksdrehend_160602_int_002

Name: **KBR 355E4/K THERMO FAN** | Item no.: **5978**

Document type: **Product card** | Document date: **2019-07-16** | Generated by: **Online catalogue**

4 / 5

Get In Touch

 Call: [0845 6880112](tel:08456880112)
 Email: info@adremit.co.uk

Our Address

Puravent, Adremit Limited, Unit 5a, Commercial Yard,
Settle, North Yorkshire, BD24 9RH

Accessories


Electric accessories


- [REU 3 Speed control \(5005\)](#)
- [RTRE 3 Speed control \(5009\)](#)
- [S-DT2SKT Two speed switch Y/D \(2697\)](#)
- [RT 0-30 Room Thermostat \(5151\)](#)
- [S-ET 10 Motor Protection \(5154\)](#)
- [S-ET 10E Motor Protection \(5155\)](#)
- [CO2RT-R-D Transmitter \(6993\)](#)
- [Presence detector/IR24-P \(6995\)](#)
- [DTV200 \(6261\)](#)
- [REV-3POL/03 ON/OFF \(33978\)](#)
- [REV-5POL/05 ON/OFF \(33979\)](#)
- [DTV500A \(96807\)](#)

Accessories

- [ASF 355/KB Flex. connection \(2719\)](#)
- [WBK 315/355 Wall bracket \(2721\)](#)
- [ALS-KBR drain plug \(2727\)](#)
- [WSD KBR-1 Weather roof f.motor \(2728\)](#)

Documentation

 [manual_kbr_en_\[003\].pdf \(3,41MB\)](#)

 [eu declaration of conformity_thermofans_en_\[002\].pdf \(46,39kB\)](#)

Acoustics

Mid-frequency band, Hz

		Tot	125	250	500	1k	2k	4k	8k
LwA Inlet	dB(A)	80	78	74	71	67	65	61	57
LwA Outlet	dB(A)	82	80	76	73	69	67	63	59
LwA Surrounding	dB(A)	62	60	56	53	49	47	43	39

Specification text



The box consists of electroplated steel plate with is soundproofed with 50 millimetre mineral wool, which is not flammable according to DIN 4102(KI.A1). A protection plate avoids the leakage of fat or oil. The service door with impeller and motor is foldable to the outside for maintenance work and cleaning jobs. The door stop is changeable from right to left. The pipe connections are inlet and outlet, with double sealing. The consignment takes places including mounting brackets and anti-vibration damper. The temperature of transported air is in continuous duty until 120 degree. Radial impeller with forward- curved blades made up of aluminium. The actuation is carried out by a speed- controllable IEC- standard motor with motor protection trough built in and completed thermostat relay. The motor is situated outside the air flow. Impeller according to VDI 2060, quality class Q 6,3 and dynamically weigh heavy in two levels.

Name: **KBR 355E4/K THERMO FAN** | Item no.: **5978**

Document type: **Product card** | Document date: **2019-07-16** | Generated by: **Online catalogue**

5 / 5

Get In Touch

 **Call:** [0845 6880112](tel:08456880112)
 **Email:** info@adremit.co.uk

Our Address

Puravent, Adremit Limited, Unit 5a, Commercial Yard,
Settle, North Yorkshire, BD24 9RH